

# Owner's Manual

## Residential Factory Built Fireplace

*Operation • Maintenance • Installation*

# ***FOCUS 3600Bi Insert***



Keep these instructions for future use.



Industrial Chimney Company Inc.  
400 J.-F. Kennedy, St-Jerome, QC, Canada, J7Y 4B7  
Telephone: (450) 565-6336  
[www.icc-rsf.com](http://www.icc-rsf.com)

Dear Customer,

The FOCUS 3600Bi incorporates technology with elegance to give you a beautiful view of the fire without compromising on heating efficiency or environmental quality.

We have designed your new FOCUS 3600Bi to be easy to install, operate and maintain. It is in your best interest to become familiar with it. Study your manual to be sure that the installation is correct, then follow the guidelines for operation and maintenance.

We at **RSF Woodburning Fireplaces** congratulate you on your choice of the FOCUS 3600Bi, and are confident that you have purchased a fireplace insert that is *simply, the best*.

Sincerely,

The RSF Woodburning Fireplaces Team

---

## TABLE OF CONTENTS

<b>SAFETY FIRST</b>	<b>3</b>	<b>CHIMNEY CLEANING</b>	<b>17</b>
Do's AND DONT'S	3	DISPOSAL OF ASHES	17
CREOSOTE: FORMATION AND REMOVAL	3	GENERAL CLEANING	18
<b>GENERAL SPECIFICATIONS</b>	<b>4</b>	GLASS CLEANING	18
OPTIONS	4	GLASS REPLACEMENT	18
UNIT DIMENSIONS AND CLEARANCES	5	PAINT	18
CHIMNEY HEIGHT	7	DOOR ADJUSTMENT	19
CEILING CLEARANCE	8	REMOVAL OF THE FIREPLACE INSERT	19
HEARTH EXTENSION	8	<b>LISTING LABEL</b>	<b>20</b>
<b>INSTALLATION</b>	<b>9</b>	<b>COMPLETE OPTIONS LIST</b>	<b>21</b>
GENERAL INSTALLATION	9	<b>REPLACEMENT PARTS</b>	<b>22</b>
INSTALLATION INTO A MASONRY FIREPLACE	10	<b>LIMITED WARRANTY</b>	<b>23</b>
MASONRY CHIMNEY REQUIREMENTS	10		
CHIMNEY LINER	11		
TRIM INSTALLATION AND REMOVAL	12		
TRIM DEPTH ADJUSTMENT	12		
REFRACTORY BRICK INSTALLATION	13		
ASH LIP	13		
<b>OPERATION</b>	<b>14</b>		
COMBUSTION AIR CONTROL	14		
CONTROLLING YOUR FIRE	14		
LIGHTING	14		
FUEL	15		
FIRST FIRES	15		
REFUELING	16		
IMPORTANCE OF DRAFT	16		
VISIBLE SMOKE	16		
BURN TIME VS. HEAT OUTPUT	16		
TROUBLESHOOTING PROBLEMS	16		
<b>MAINTENANCE</b>	<b>17</b>		

---

---

## SAFETY FIRST

### DO'S AND DONT'S

Please read this entire manual before you install and use your new room heater. Failure to follow instructions may result in property damage, bodily injury, or even death. If this fireplace is not properly installed, a house fire could result. For your safety, follow the installation directions. Contact your local authority having jurisdiction (such as municipal building department, fire department, fire prevention bureau, etc.) regarding restrictions and installation requirements, and the need to obtain a permit.

To ANYONE using this fireplace insert: these **DO's** and **DONT's** are for your safety.

1. **DO** read this instruction manual before lighting your first fire.
2. **DO** burn seasoned wood fuel or densified fuel logs or a combination of densified fuel logs and wood fuel.
3. **DO operate the insert with the door fully closed.** If the door is left partly open, gas and flame can be drawn out of the door opening, creating both fire and smoke hazards.
4. **DO** keep all combustible materials (furniture, firewood, etc.) at least 4' away from the front of the fireplace.
5. This appliance needs periodic inspection and repair for proper operation. It is against federal regulations to operate this wood heater in a manner inconsistent with operating instructions in this manual. **DO** learn to properly use it and maintain it.
6. **DO** have at least one smoke detector on each level of the house and at least one carbon monoxide detector.
7. To avoid glass breakage, **DO NOT** slam the door.
8. **DO NOT** ever use gasoline, gasoline-type lantern fuel, kerosene, charcoal lighter fluid or similar liquids to start or freshen up a fire. Keep all such liquids well away while it is in use.
9. **DO NOT** overfire the insert. If you are unable to slow down the burn rate of the fire or if the chimney connector glows red, you are overfiring the fireplace.
10. **DO NOT** use a fireplace grate or other products not specified for use with this appliance.
11. This wood heater has a manufacturer-set minimum low burn rate that must not be altered. It is against federal regulations to alter this setting or otherwise operate this wood heater in a manner inconsistent with operating instructions in this manual. **DO NOT** tamper with the air control. **DO NOT** install a flue damper that would allow you to reduce the chimney draft and thus slow the minimum burn rate.
12. To avoid damaging the insert, **DO NOT** operate it in a manner inconsistent with the operating instructions in this manual.

◆ **NOTE:** We strongly recommend that our products be installed and serviced by professionals who are certified by Wood Energy Technology Transfer Inc. in Canada.



### CREOSOTE: FORMATION AND REMOVAL

When wood is burned slowly, it produces tar and other organic vapors which combine with the expelled moisture from the wood to form creosote. The creosote vapors can condense in the relatively cool chimney of a slow burning fire. As a result, creosote residue accumulates on the flue lining. When ignited, this creosote makes an extremely hot fire.

The chimney should be inspected periodically during the heating season to see if a creosote build-up has occurred. The presence in a chimney of soot or creosote in excess of 1/8" (3mm) thick will indicate the need for immediate cleaning, possible modification of burning procedures, and more frequent inspections.

## GENERAL SPECIFICATIONS

The FOCUS 3600Bi is environmentally friendly and meets the Canadian CSA B415.1:22 Performance testing of solid-biofuel-burning heating appliances particulate emission standard with crib wood at an average emission rate of 1.7 grams per hour.

It also has an optimal efficiency of 75.3%. This has been established using the low heating value of the wood, under the best burning conditions and using CSA B415.1:22 calculations.

Furthermore, the weighted average efficiency is 70%. The latter has been established using the higher heating value of the wood, while burning crib wood and using CSA B415.1:22 calculations.

It has been shown to deliver heat ranging from 11757 to 25406 BTU/h with an average of 19 077 BTU/h. Please refer to the "Burn Time vs. Heat Output" and "Fuel" sections to better understand the various factors that influence the efficiency and heat output of your heater.

### Listing



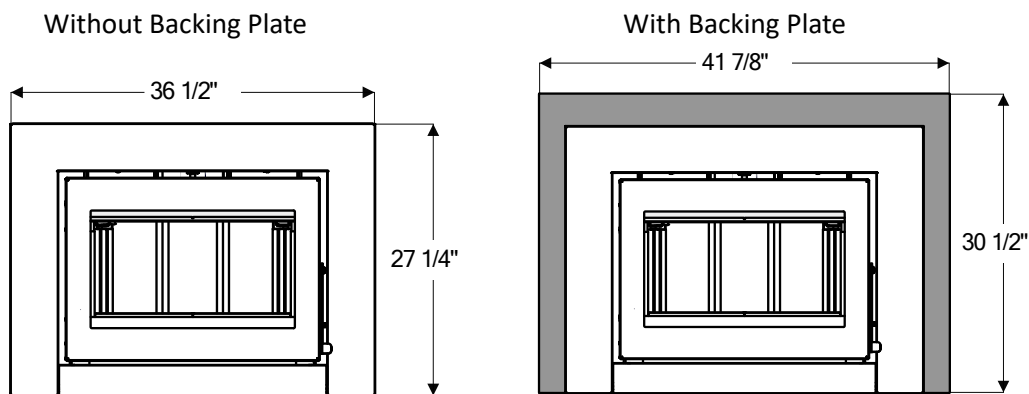
This wood-burning fireplace Insert is certified by PFS-TECO Agency. The listing plate bears the PFS safety listing mark for Canada and U.S., file number F23-112.

It has been tested under the following safety standards: ULC 628:2022 and UL 1482-2022.

### OPTIONS

**Internal Blower (FO-HB1):** For increased air circulation and marginally more heat output, you can add an optional fan. The internal blower plugs into a nearby outlet and does not require an electrician for setup.

**Backing Plate (FO-F3600INBP):** If the original fireplace has an opening larger than the standard trim provided with the Focus 3600Bi Insert, an optional Backing Plate can be added to fill in the space.

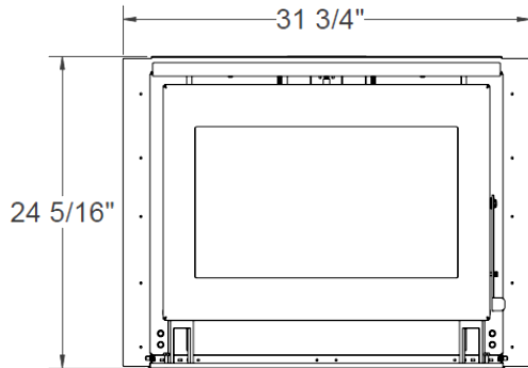


**Gasket Replacement Kit (FO-GRK8):** Over time, the door seal will develop wear and eventually needs to be replaced when air leaks into the firebox. If you notice difficulty slowing down the rate of burn or shortened burn times, it may be a good time to replace your door gasket.

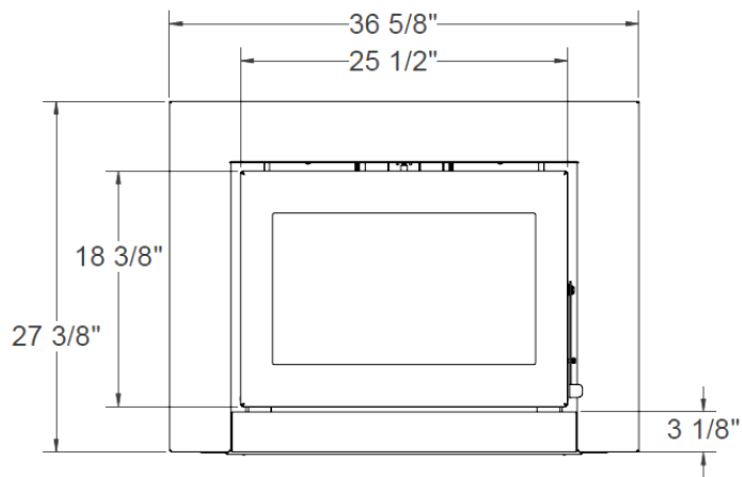
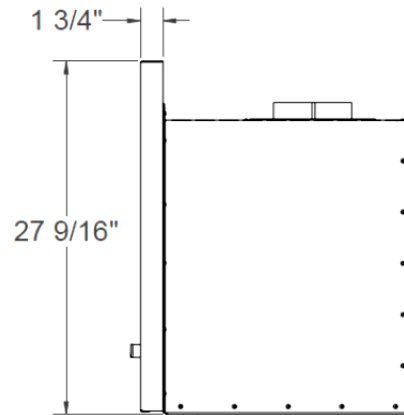
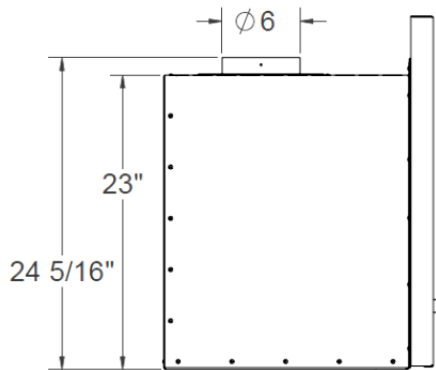
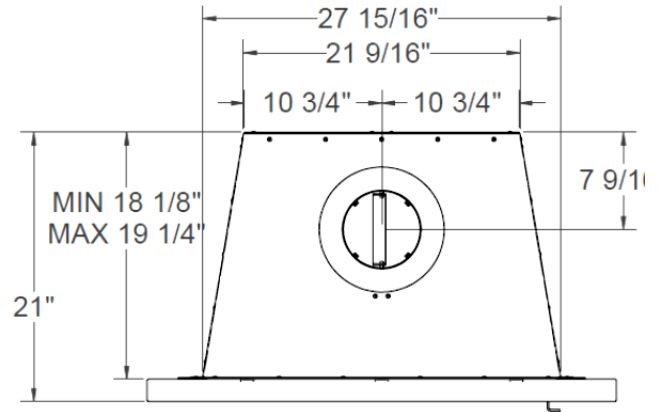
Detailed installation instructions are included in the box with each option. These can also be obtained from our Internet Web Site: [www.icc-rsf.com](http://www.icc-rsf.com).

**❖WARNING:** This appliance has not been tested with a gas log set (unvented or vented). To reduce risk of fire or injury, do not install a gas log set (unvented or vented) into this appliance. Do not install a gas log lighter because the heat produced by the insert will permanently damage the gas log lighter.

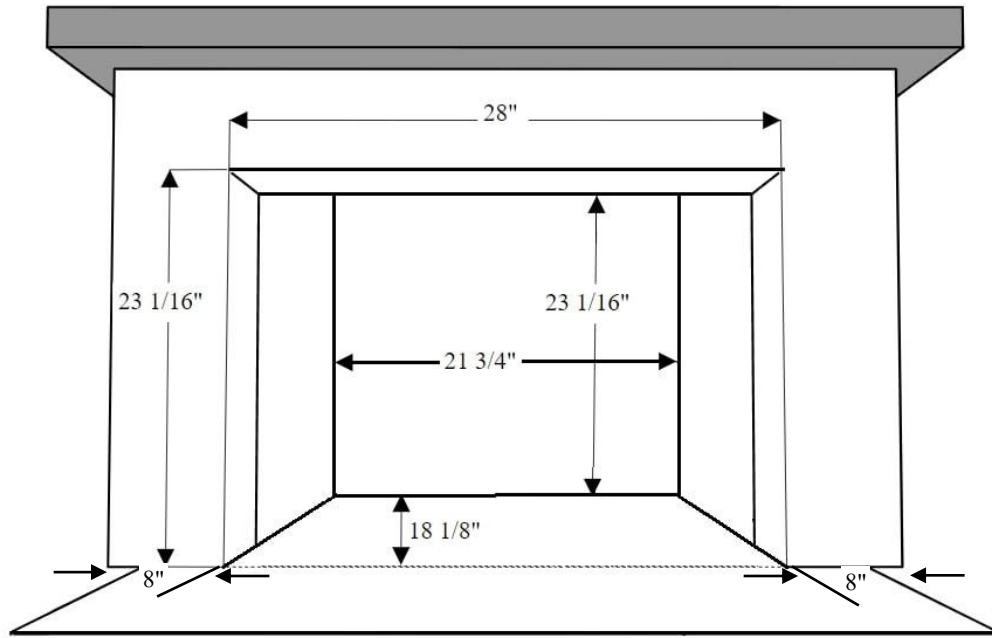
**UNIT DIMENSIONS AND CLEARANCES**



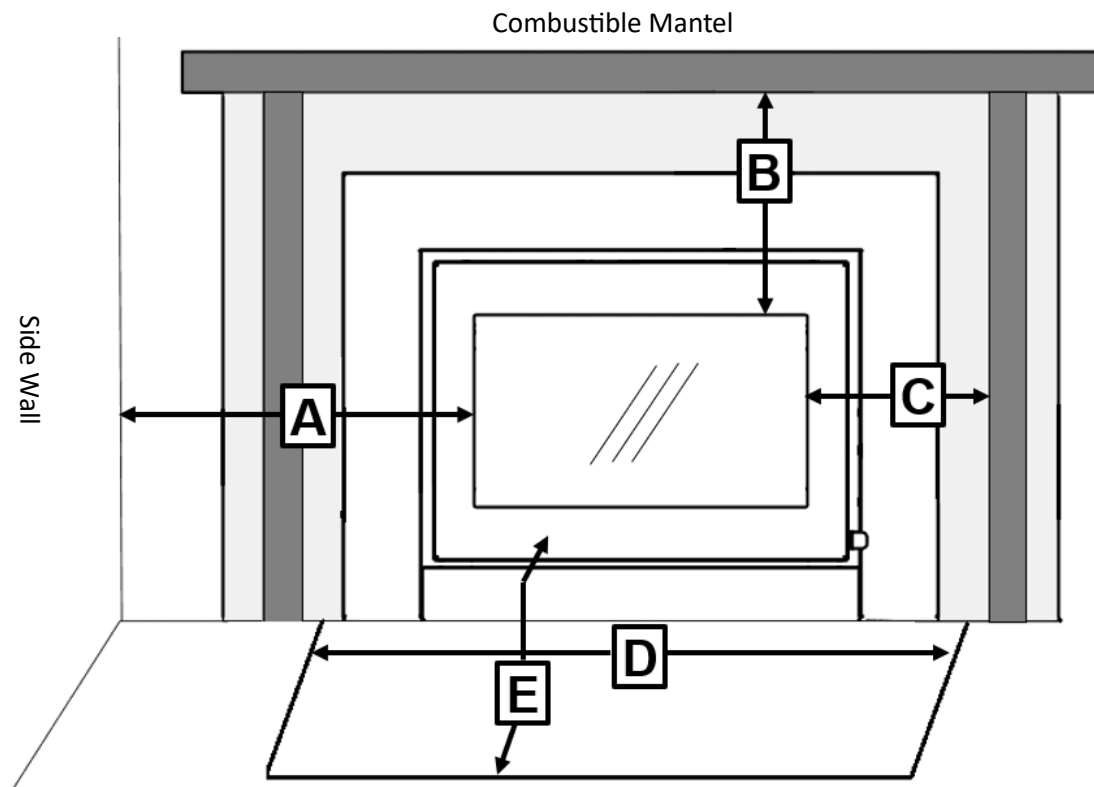
WITHOUT TRIM



**Figure 1 Unit Dimensions**

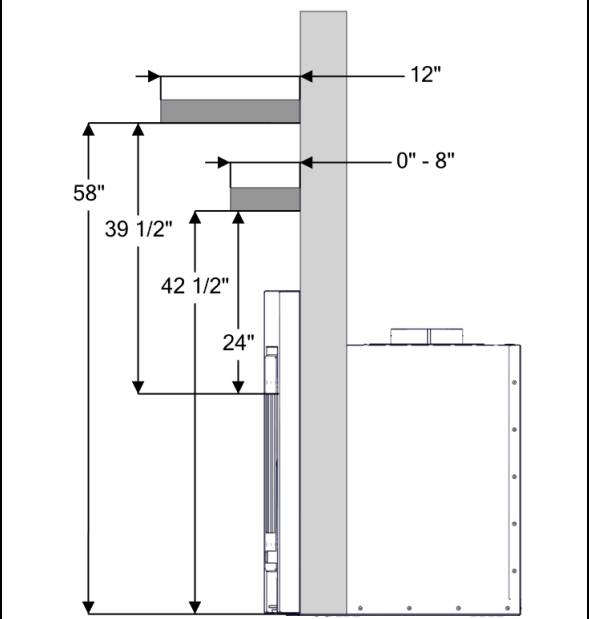


**Figure 2 Minimum Fireplace Dimensions**



**Figure 3 Unit Clearances**

**Table 1 Unit Dimensions and Clearances**

A	Minimum distance from the side wall to the glass in the door (See Figure 3)	16" (406 mm)
B	<p>Minimum height of a combustible mantel shelf from the glass (see Figure 3). (refer to the "<i>MANTEL</i>" section for particulars)</p>  <p style="text-align: center;"><b>Figure 15 Mantel Requirements</b></p>	See Table 4
C	Minimum distance from the glass to a combustible mantle post (4" deep max, see Figure 3).	9" (229 mm)
D	Minimum width of non-combustible hearth extension (floor protection) on each side of the masonry hearth opening (see Figure 2 & Figure 3).	8" (203 mm)
E	Minimum depth of non-combustible hearth extension (floor protection) measured from the front of the insert door (Figure 3).	Canada: 18" (457 mm)
-	Clearance to the non combustible masonry fireplace hearth (sides, back, top)	0" (0 mm)
-	Minimum ceiling clearance: from the bottom of the insert to the ceiling	72" (183 cm)
-	Minimum chimney height: minimum total chimney height from insert top to below the chimney rain cap	6" dia. 12' (3.66 m) 5.5" dia. 15' (4.57 m)
-	Maximum chimney height: maximum total chimney height from insert top to below the chimney rain cap	39' (11.89 m)
-	Maximum combustible mantel shelf depth (see Table 4 for other mantel sizes)	8" (203 mm)

**CHIMNEY HEIGHT**

Refer to Table 2 for 6" diameter liner only. If using 5.5" diameter liner, add an additional 3' to the total.

We recommend that the minimum height be increased by approximately 6" for every 1000' elevation above sea level. See Table 2 for more precise recommended flue heights.

Although masonry chimneys rarely contain offsets, it does happen. Also consider an offset installed directly on the top of the appliance. If the liner must be offset to align with the chimney, it should be taken into consideration. For example, if you are living 6015' above sea level, your chimney should terminate at least 15' (or 18' if using 5.5") from the top of the fireplace if it is a straight chimney.

**Table 2 Minimum Recommended Flue Heights**

Elevation (ft)	Number of Offset						
	Straight Chimney	1 x 15°	2 x 15°	1 x 30°	2 x 30°	1 x 45°	2 x 45°
0 - 1000	Minimum 12'	13'	14'	15'	18'	16'	20'
1001 - 2000	12'6"	13'6"	14'6"	15'6"	19'	16'6"	20'
2001 - 3000	13'	14'	15'	16'	19'6"	17'	21'6"
3001 - 4000	13'6"	14'6"	15'6"	17'	20'	18'	22'6"
4001 - 5000	14'	15'	16'	17'6"	21'	18'6"	23'
5001 - 6000	14'6"	15'6"	17'	18'	21'6"	19'	24'
6001 - 7000	15'	16'	17'6"	18'6"	22'	20'	24'6"
7001 - 8000	15'6"	16'6"	18'	19'	23'	20'6"	25'6"
8001 - 9000	16'	17'	18'6"	20'	24'	21'	26'6"
9001 - 10000	16'6"	17'6"	19'	20'6"	24'6"	22'	27'

Flue height is measured from the top of the insert to the top of the chimney before installing the rain cap.

**CEILING CLEARANCE**

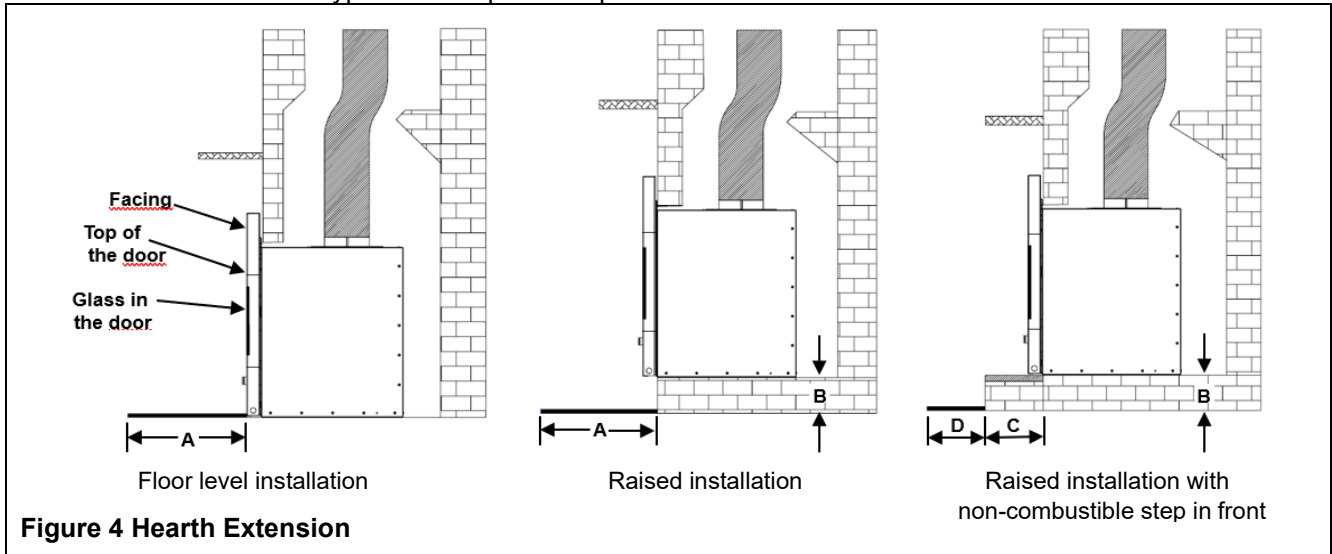
Ceiling clearance is the distance from the bottom of the insert to the ceiling. Under no circumstances should the distance between the ceiling and the base insert be less than the dimension specified in Table 1.

**HEARTH EXTENSION**

General: The area immediately in front of the insert must be protected by a non-combustible material. See Table 1 for the minimum size requirements for the hearth extension. See Table 3 for which type of protection is required.

- Ember protection only - A non-combustible surface that protects against sparks and embers.
  - Minimum R-value = 0
  - Type 1 hearth pad is sufficient

- Floor protection - Requires ember protection and heat protection
  - Minimum R-value = 1.5
  - Type 2 hearth pad is required



**Figure 4 Hearth Extension**

Depth of Hearth Extension	<u>A</u>	<u>D+C</u>
Canada	18" (457 mm) min.	18" (457 mm) min.



**Table 3 Hearth Extension Requirements**

Type of Installation (reference:Figure 4)	A	B	C	D
Floor Level installation	Floor Protection Required R=1.5	-	-	-
Raised Installation	Floor Protection Required R=1.5	5 ¼" or less	-	-
	Ember Protection Only	more than 5 ¼"	-	-
Raised installation with non-combustible step in front	-	5 ¼" or less	Existing hearth sufficient	Floor Protection Required R=1.5
		more than 5 ¼"	Existing hearth sufficient	Ember Protection Only

Consult CAN/CSA-B365 Installation Code for Solid-Fuel-Burning appliances and equipment in Canada.  
 Example of R-Value (Mfg specs): 1/2" Micore 160: 1.27, 1/2" Micore 300: 1.03, common brick 2 3/8": 0.475  
 Cement board Durock or HardieBacker 1/2": 0.26.

## INSTALLATION

### GENERAL INSTALLATION

We recommend that you take the time to plan your entire installation before beginning the actual installation. Your FOCUS 3600Bi Insert is designed to be installed into a masonry wood burning fireplace.

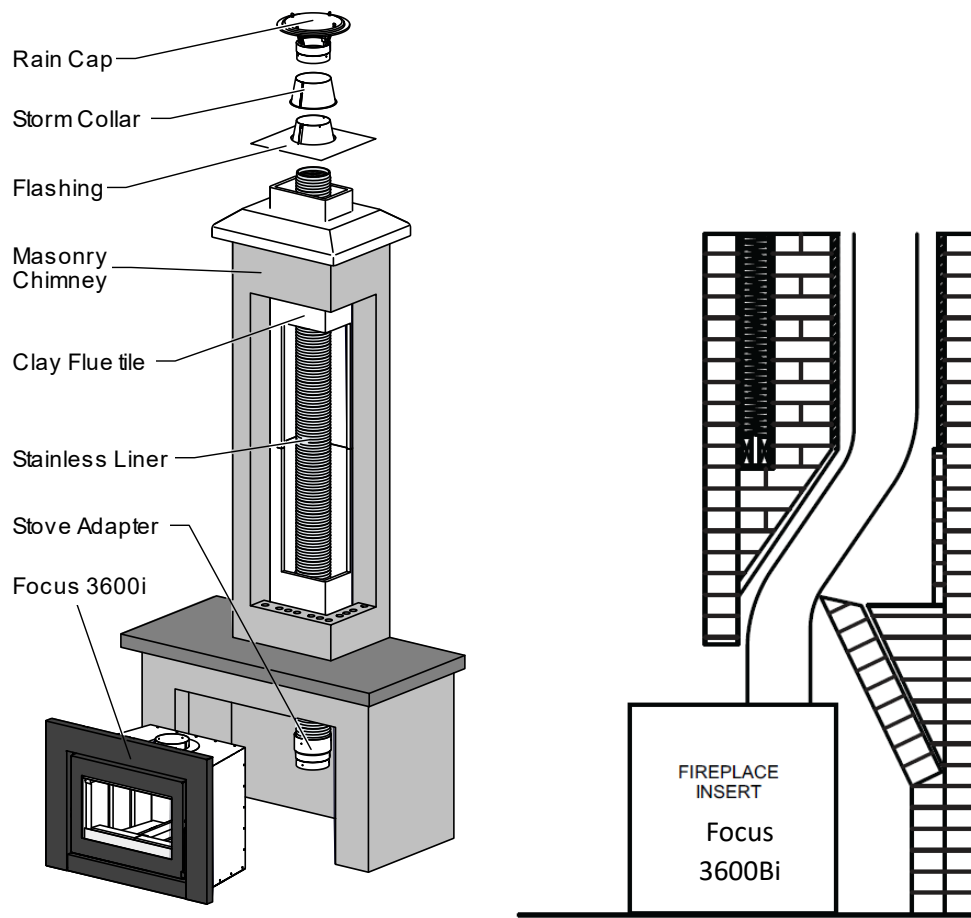
Dimensions and clearances are shown in Figure 1 and Table 1.

Check with your local authority having jurisdiction (such as municipal building department, fire department, fire prevention bureau, etc.) regarding restrictions and installation requirements, and the need to obtain a permit.

◆ **NOTE:** We recommend that you remove the door until after all finishing work is completed around the fireplace. This will reduce the possibility of scratches, vandalism, or damage to the finish.

❖ **WARNING:** If this Insert is not properly installed, a house fire can result. For your safety, follow the installation instructions and clearances. Use only certified components and never install this insert in a "temporary" or makeshift manner.

❖ **WARNING:** Do not install this insert in a Mobile Home (transportable building).



**Figure 5 FOCUS 3600Bi General Installation**

### **INSTALLATION INTO A MASONRY FIREPLACE**

❖ **WARNING:** This insert is not to be installed into a factory-built fireplace.

The appliance is quite heavy and requires two people to move it safely.

Place cardboard or a protective surface on the hearth of the existing fireplace to prevent scratches or damage as the new insert is installed.

The fireplace damper must be fixed in the open position or removed completely. If the throat damper is removed or any other modification on the masonry fireplace, the metal plate #931022 must be installed in a visible location inside the masonry hearth. This plate can be found in the owner's manual bag.

**This fireplace has been altered to accommodate a chimney liner and should be inspected by a qualified person prior to re-use as a conventional fireplace.**

**Ce foyer a été modifié pour recevoir une gaine de cheminée et doit être inspecté par une personne qualifiée avant d'être réutilisé en tant que foyer traditionnel.**

931022

### **MASONRY CHIMNEY REQUIREMENTS**

❖ **WARNING:** Do not connect this appliance to a chimney flue servicing another appliance.

The masonry fireplace and chimney must be in good working condition and built according to the requirements of the Standard of Chimneys, Fireplaces, Vents and Solid Fuel Burning appliances, or applicable National, Provincial, or local codes. The installation shall conform to CAN/CSAB365, Installation Code for Solid-Fuel-Burning Appliances and Equipment.

**WARNING:** Do not remove bricks or mortar from your existing fireplace.

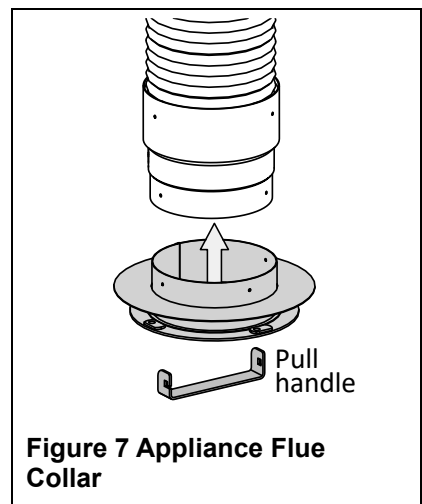
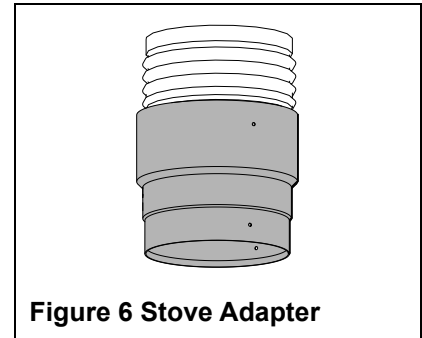
**EXCEPTION:** Masonry or steel, including the damper plate, may be removed from the smoke shelf and adjacent damper frame if necessary to accommodate a chimney liner, provided that their removal will not weaken the structure of the fireplace and chimney, and will not reduce protection for combustible materials to less than that required by the National Building Code.

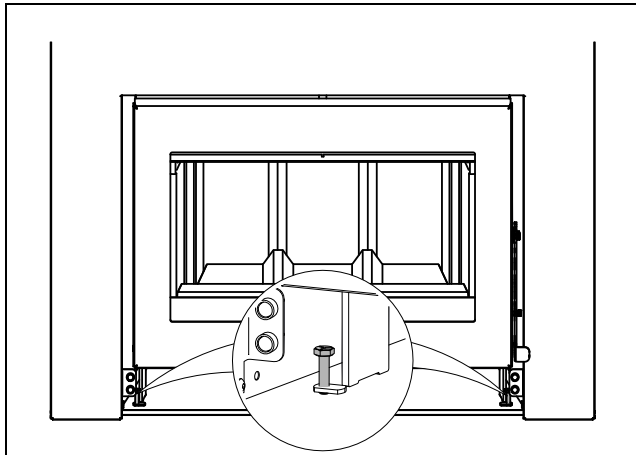
## **CHIMNEY LINER**

This fireplace insert has been tested with a 6" liner for its best performance. Reducing the liner diameter below 6" can cause issues with appliance performance, See Table 1 for minimum chimney height requirements when it is necessary to reduce the liner diameter to 5.5".

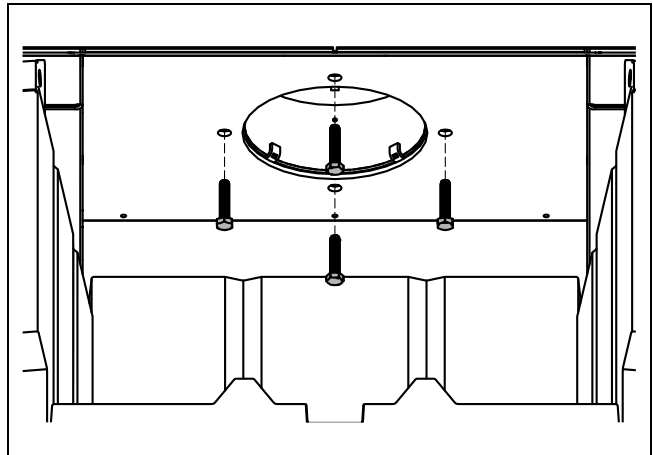
**In Canada** this fireplace insert must be installed with a continuous chimney liner of 6" (152mm) diameter or 5.5" (140mm) extending from the fireplace insert to the top of the chimney. The chimney liner must conform to the Class 3 requirements of CAN/ULC-S635, Standard for Lining Systems for Existing Masonry or Factory-Built Chimneys and Vents, or to the requirements of CAN/ULC-S640, Standard for Lining Systems for New Masonry Chimneys.

1. Install the liner into the existing chimney as per the liner manufacturer's specifications.
2. If using a flexible liner, a stove adapter must be attached to the bottom of the liner prior connecting it to the appliance flue collar (Figure 6).
3. To prevent room air passage to the chimney cavity of the fireplace, seal the damper area around the chimney liner.
4. The appliance flue collar is provided and already installed. If there is enough room to connect the liner to the appliance flue collar directly, move the insert into place by sliding it into the fireplace opening. Connect and secure the liner to the appliance flue collar. Ensure the unit is resting on a flat surface, and using the two leveling bolts at the front, adjust for stability (Figure 8).
5. If there is not enough room to connect the liner to the appliance flue collar, the appliance flue collar needs to be removed from the insert before sliding it into the masonry opening. Remove the first three secondary air tubes from left side (Figure 17), using a 5/16" socket, and remove the baffle to have access to the appliance flue collar bolts. Remove the 4 bolts from the appliance flue collar (Figure 9). Connect the stove adapter to the appliance flue collar (Figure 7). When the stove adapter is secured, attach the pull-handle to the appliance flue collar.
6. Move the insert into place by sliding it into the fireplace opening. Try to center and align the appliance flue collar (attached to the liner) with the opening in the top of the insert.
7. Ensure the unit is resting on a flat surface, and using the two leveling bolts at the front, adjust for stability (Figure 8).
8. Reach up through the insert and pull down the appliance flue collar until it contacts the top of the insert.
9. Bolt the appliance flue collar in place from the inside of the firebox with the four bolts provided (Figure 9).
10. Remove the detachable pull-handle.





**Figure 8 Leveling bolt location**



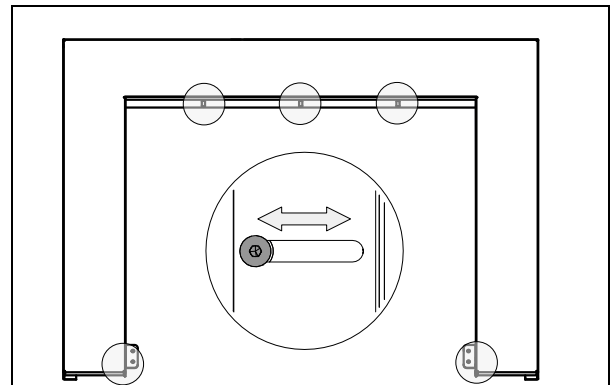
**Figure 9 Connecting Appliance Flue Collar**

**TRIM INSTALLATION AND REMOVAL**

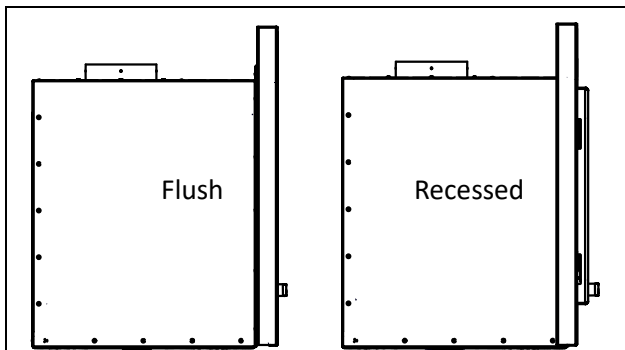
A trim is provided with your insert. There are five small bolts that hold it to the facing of the insert (Figure 10). Open the door and use a 1/8 hex (Allen) key to insert or remove them.

**TRIM DEPTH ADJUSTMENT**

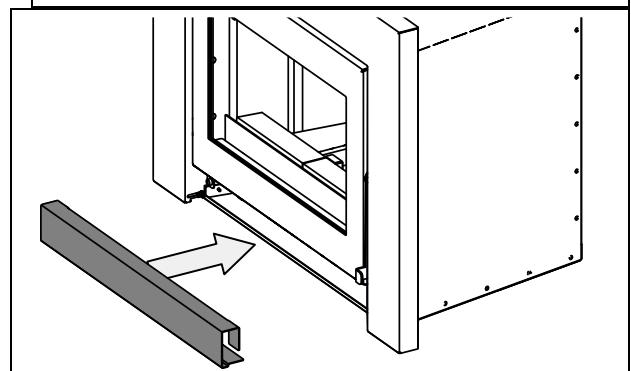
The trim is mounted with oblong holes that provide up to 1" of depth adjustment. To adjust the depth of the trim relative to the firebox, simply loosen the five bolts mounting it to the insert and adjust as necessary. With the trim in the recessed position, the appliance can fit in a shallower masonry fireplace (Figure 11).



**Figure 10 Trim Installation / Adjustment**



**Figure 11 Trim Positions**



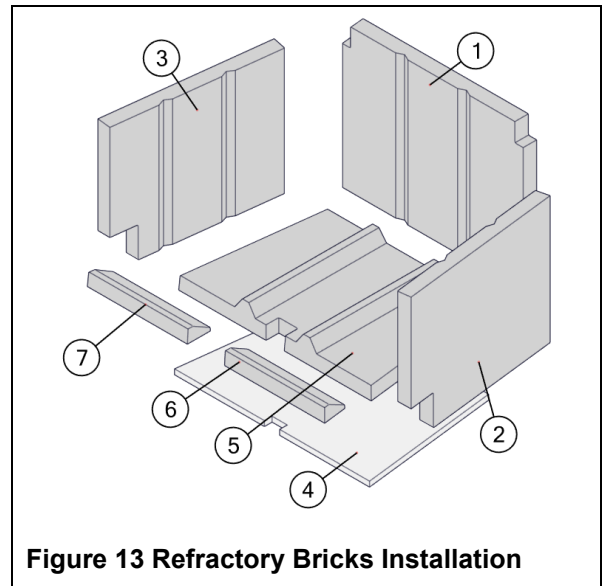
**Figure 12 Bottom Louver Installation**

## **REFRACTORY BRICK INSTALLATION**

Before lighting your first fire, you must make sure the refractory bricks are properly installed inside the firebox. To remove any of the refractory bricks, just follow the installation procedure in the reverse sequence. Refer to Figure 13 to identify which refractory brick is the left and which is the right at each step of the installation.

1. Start by placing the rear refractory brick in the firebox (1), then the right and left side (2, 3) refractory bricks.
2. Continue by installing the soft insulation (4) on the bottom of the firebox. It fits tight between the front and the back refractory brick and between both side refractory bricks.
3. Then install the bottom refractory brick (5).
4. Finally, install the two front refractory bricks (6, 7).

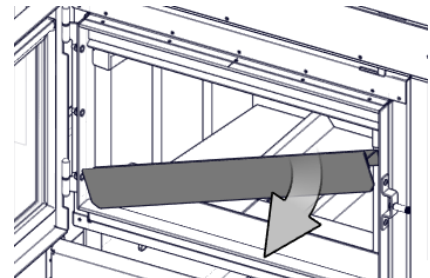
These refractory bricks have been designed specifically for the FOCUS 3600Bi and no modifications are required to ensure a proper fit.



## **ASH LIP**

The Focus 3600Bi includes a removable ash lip intended to prevent ashes from accumulating at the front of the fireplace. To remove or insert the ash lip, simply place it on an angle and lower it into place as shown in Figure 14

Ensure the rear edge of the ash lip is inserted behind the vertical lip of the firebox.



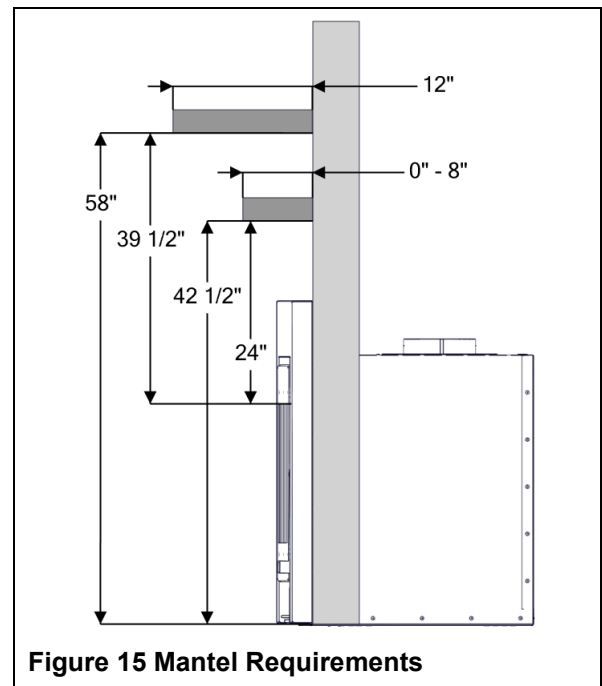
**Figure 14 Ash Lip**

## **MANTEL**

Masonry and other non-combustible mantels (shelf and posts) can be placed anywhere around the fireplace facing.

If the combustible mantel shelf has a cross-section with variable depth, it has to be installed so that its widest part is not installed lower than the corresponding minimum installation height while making sure that the lowest point of the mantel is not installed lower than the minimum installation height corresponding to its depth (Table 4). Mantel depth is always measured from the face of the masonry fireplace (see Figure 15).

Vertical mantel posts are permitted on either side of the fireplace facing. If they are made from combustible materials, the mantel posts require the clearances specified in Table 5.



**Table 4 Various Mantel Shelf Depths and Corresponding Installation Heights**

Maximum Mantel Shelf Depth	Minimum Installation Height from Top of the Glass	Minimum Installation Height from Bottom of Unit
0" to 8"	24"	42 1/2"
9"	27 7/8"	46 3/8"
10"	31 3/4"	50 1/4"
11"	35 3/4"	54 1/4"
12"	39 1/2"	58"

**Table 5 Mantel Post Clearance**

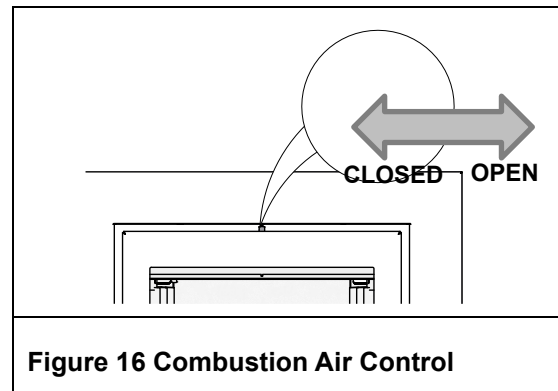
Mantel Post depth in front of the facing of the fireplace	Minimum distance from the glass to the post
0" to 4"	9"

## OPERATION

### **COMBUSTION AIR CONTROL**

Unlike most open fireplaces, RSF appliances don't have flue dampers. Instead, the system is sealed by closing the door, and the amount of air entering the firebox is controlled by the combustion air control lever (see Figure 16).

Use the handle or gloves provided to adjust the combustion air control. Setting the air control lever all the way open (towards the right) will allow the maximum amount of air into the firebox. Closing the air control (towards the left) will reduce the amount of air entering the firebox.



**Figure 16 Combustion Air Control**

❖ **WARNING:** When the appliance is in operation, the combustion air control will become hot enough to burn. Use the handle provided to adjust the combustion control lever.

### **CONTROLLING YOUR FIRE**

To get maximum efficiency out of your insert you will want to adjust the amount of air entering the firebox at the appropriate times. Gauge how much to close the combustion air by how the fire reacts once the combustion air control lever has been moved. If the fire goes out and begins to smolder, there's too little combustion air entering the firebox. If this happens, reopen the combustion air control and wait a little longer before attempting to restrict the air again. If there's no change to the burn pattern, you can continue to close the combustion air further. Always close the combustion air control gradually, never from maximum to minimum in an instant. Eventually you should be able to close the combustion air all or most of the way. There should always be visible fire inside the firebox at every step of the process. It is normal for some installations that the air control cannot be fully closed and maintain a fire. Every home, installation, and draft is unique. Ensure there is visible flame to keep the glass and chimney liner clean.

If adjusting your air control has no effect on the rate of burn, there is air leaking into the firebox. It is likely occurring at the door, and the rope gasket may need to be replaced. If this happens cease use of the fireplace until the air leak has been found and resolved. You can order a new door gasket from your retailer with the part code FO-GRK5.

### **LIGHTING**

Ensure that the combustion air control lever is all the way in the open position. You will want as much air as possible for the lighting process.

We recommend that you prepare your fire in a top-down fashion. This will make for a faster start and a cleaner burn while starting. Build your fire behind the front bricks to avoid spillage during reloading.

Start by laying 2-3 layers of small wood pieces (about 10 pieces of 1" to 2" in diameter). Criss-cross the pieces so there is plenty of air circulation in between. Then continue by criss-crossing your kindling (about 20 pieces the size of your fingers) on top of the small wood. You can then add a few pieces of paper on top. **Never use any flammable liquid.** Light the fire at the top of the pile and close the door most of the way, but do not shut it completely. If the door is positioned correctly you will see air rushing into the fireplace, this will help the lighting process. Wait about 2 minutes and then close the door completely. The fire should continue to burn. If it looks like it wants to smolder, crack the door open for another minute or two before closing it again. The amount of time to keep the door slightly ajar at startup is dependant on the height of your chimney and the outside temperature: the higher and the colder, the longer the door needs to remain cracked. Continuous operation with the door open is dangerous and can cause overfiring, damaging the appliance. Never leave the heater burning with the door fully or partially ajar.

Once most of the startup fuel is down to a nice coal bed, rake the hot coals towards the front and add cordwood according to your needs, up to 6 logs at a time. Air enters the firebox at the front, and raking coals forward will help your cordwood to light. The bottom layer of logs should be oriented front to back (i.e. North/South). The second layer should then be oriented left to right. Always put at least 2 layers of logs criss-crossed together, this will help them to light to burn cleanly. Again keep the door cracked for a couple of minutes while the bottom logs catch on fire, then you can close the door completely.

Keep the combustion air control on maximum until the next reload. This will help establish a strong draft in the chimney before you reduce the combustion air, ensuring a cleaner burn at the same time.

❖ **WARNING:** Do not use a grate or elevate the fire.

❖ **WARNING:** Make sure to keep the fire behind the front step. Replace the logs if they fall against the glass.

## **FUEL**

All modern high efficiency fireplaces, woodstoves, and inserts are designed to burn best with seasoned cordwood. Seasoned wood can be defined as wood that has been cut, split and let dry under cover for a minimum of 6 months, preferably a year or more. We strongly suggest purchasing a wood moisture meter to measure wood moisture. Dry seasoned wood generally contains less than 20% moisture content. Attempting to burn fuel with a high moisture content will be difficult and result in lower efficiency, increased creosote buildup and dark deposits on the glass. It's possible to burn a very large amount of wood and get very little heat if the wood is wet.

The type of wood you select is also important. All types of wood give off more or less the same number of BTU's per pound. Since softer woods are less dense than hardwoods it is possible to put more weight of hardwood in the firebox; in other words, all woodburning appliances will burn longer and more evenly with hardwoods. Never burn scrap, garbage, treated wood or driftwood as they produce much more pollution and can corrode the firebox and chimney as well. Burning large amounts of paper, cardboard, mill ends, or construction waste can easily over fire and damage the fireplace or even ignite a chimney fire if the flue is dirty.

We do not recommend using wax fuel logs (e.g. Duraflame) in this fireplace because it will dirty the glass. If you choose to use them, do not use more than one at a time and do not poke or stir while it is burning. Use only firelogs that have been evaluated for fireplace use. In Canada, they must meet the requirements of ANSI/CAN/UL/ULC 2115, Processed Solid Fuel Firelogs and Firestarters. Refer to the firelog warnings and caution markings on packaging prior to use.

❖ **WARNING:** Burn dry wood only.

Do not burn: driftwood, treated wood, coal, garbage, or plastic.

## **FIRST FIRES**

You will experience a slow start-up during the first few fires. The refractory bricks lining the firebox contain moisture from manufacturing and require a few hot fires to evaporate the moisture. While there is still moisture in the bricks, they will be black with smoke deposits. When the moisture has dissipated, the bricks will turn white. Unlike cast iron stoves, there is no need to cure the insert itself by starting with small fires and progressively larger ones. Feel free to light a large fire from the very start.

You will experience a slight odor during the first few fires. This odor comes from curing paint and oil burning off the metal. The odor may be strong enough to set off your smoke detector. Open the doors and windows to allow the room to properly ventilate.

## **REFUELING**

Have your next wood load ready when you open the door. The temperature in the firebox will decrease as the door is open, so decreasing the amount of time the door is open will allow the firebox to remain hot. Do not rush.

Turn off the fan, if installed. The fan may cause smoke to spill out of the fireplace if running.

The door should be opened slowly to keep smoke from spilling into your room. If you have a problem with smoke spillage, check to see that all kitchen and bathroom fans have been shut off. They can cause negative pressure in the house which pulls smoke out of the insert.

Take the time to poke and stir the unburnt wood that is left in the firebox. This will help revive the fire. Place the new logs in the firebox. Try to maintain a clear path in front of the pilot, which is the metal tube centered between the two andiron posts. The pilot brings an influx of air close to the coals that will help to keep the fire going. Once the new wood has been loaded, keep the door slightly ajar for a couple of minutes to get the fire going depending on how well seasoned your cordwood is and how much coals were left in the firebox. Once the new wood is well lit, close the door.

You can now adjust the combustion air control according to your needs.

## **IMPORTANCE OF DRAFT**

Draft is the natural force which pulls air from the insert up the chimney. The strength of draft in your chimney depends on a variety of factors, including chimney height, nearby obstructions, altitude, etc.

Excessive draft can result in a hotter fire than intended or reduced burn times as more air is pulled through the insert. It will also result in less heat recovery since the heat will not have as much time to irradiate into the room before being sucked into the chimney.

Weak draft can result in smoke entering the room and difficulty lighting or operating the fireplace. Weak draft is often incorrectly associated as a blockage in the air intake for the insert.

## **VISIBLE SMOKE**

The amount of visible smoke being produced can be an effective method of determining how efficiently the combustion process is taking place in the given settings. Visible smoke consists of unburned fuel and moisture leaving your Insert. Learn to adjust the air settings of your specific unit to produce the smallest amount of visible smoke. Wood that has not been seasoned properly and has a high wood moisture content will produce excess visible smoke and burn poorly.

Burning wood naturally produces smoke and carbon monoxide (CO) emissions. CO is a poisonous gas when exposed to elevated concentrations for extended periods. This fireplace combustion system reduces the amount of CO emitted out the chimney. Exposure to the gases in closed or confined areas can be dangerous. Make sure your door gasket is sealing properly and chimney joints are in good conditions to ensure unintended exposure. It is recommended that you use both smoke and CO detectors in areas having the potential to generate CO.

## **BURN TIME VS. HEAT OUTPUT**

The faster your insert burns the more heat it will create; however, faster fires result in much more hot air flow up the chimney which means you are sacrificing efficiency. Fast burning fires (lots of air) go through much more wood than slow burning fires. To get the most out of your FOCUS 3600Bi insert, adjust the combustion air control lever at the appropriate time. If the fire seems to be burning too quickly, turn the air down. If the fire is smoldering and there are no visible flames, turn the air up. This way you'll always be getting the most out of your fuel.

## **TROUBLESHOOTING PROBLEMS**

If smoke comes into the house when the door is opened:

You may have opened the door too quickly and created a suction of air into the room, this can be avoided by opening the door more slowly and letting the pressure stabilize before opening it fully.

Ensure your chimney is clean and your chimney cap is not plugged. Chimney caps with screens are more likely to become clogged with creosote buildup.



Reducing the liner diameter below 6" can cause issues with appliance performance. Although it is not always feasible, maintaining a 6" liner will help performance if there is inadequate chimney height.

If you have purchased the blower, make sure it is off before opening the door.

Check to see if other fans in the home are running, particularly a kitchen range hood or bathroom exhaust fan. This can affect the pressure in the home.

Try opening a window near the insert a little, this will equalize the pressure in the home and should correct a negative pressure problem. Once proper draft is established the window can be closed.

Make sure you've used enough kindling to establish a hot fire quickly. The most likely time that smoke will enter the home is during the lighting process.

If your insert burns excessively fast, seemingly uncontrollably:

Check all door seals and gaskets to ensure that air is not leaking into the firebox. See "Door Adjustment" for details of how to verify the tightness of the door. Replace seals as necessary.

Inspect the secondary air tubes in the top of the fireplace to ensure they are in good condition. An unwanted hole in the secondary air tubes can bring additional unwanted air into the firebox.

---

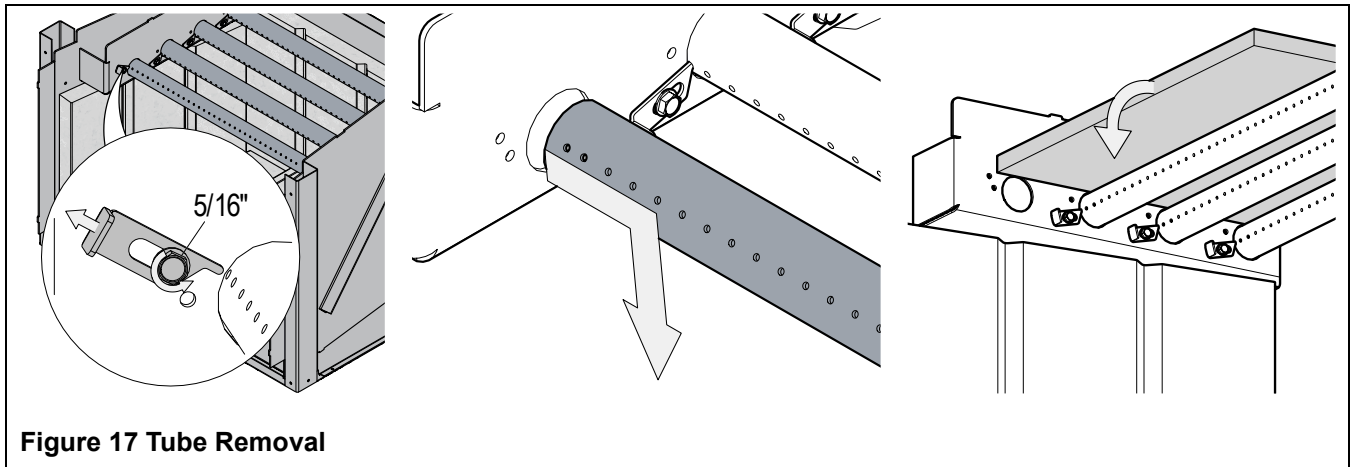
## MAINTENANCE

### **CHIMNEY CLEANING**

Check the chimney liner for creosote buildup every week or so until experience shows how often you need to clean it. A buildup of 1/8" (3 mm) or more should be cleaned before more creosote accumulates.

Remove the fireplace baffle prior to sweeping:

- The baffle is a hard insulation panel in the top of the firebox that sits above the tubes. To remove it, start by removing the front tube.
- Then slide the baffle towards the front and remove it through the door opening.



Close the insert door prior to sweeping.

Remove the chimney cap and sweep the chimney using a 6" round soft bristle brush and remove the accumulated creosote.

Do not forget to replace both the baffle and the secondary air tube in the same manner as they were removed. Take care to properly orient the secondary air tube (holes slightly upwards facing) and insert the locking pin to secure it.

### **DISPOSAL OF ASHES**

Remove the ashes before they become too deep, i.e., before you have a spillage problem when you open the door. The ashes should be placed in a metal container with a tight-fitting lid. The closed container of ashes should be placed on a non-combustible floor or on the ground, well away from all combustible materials pending final disposal.

If the ashes are disposed of by burial, or otherwise locally dispersed, they should be retained in the closed container until all cinders have thoroughly cooled.

## **GENERAL CLEANING**

The high heat paint can be cleaned with a soft damp cloth. Use a mild detergent and water. Do not use abrasive cleaners. See the "Paint" section below for touch-ups.

## **GLASS CLEANING**

In a controlled combustion firebox, temperatures are not always high enough to keep the glass clean. A good hot fire once a day usually cleans off most of the deposits that have accumulated. Remember: the drier the wood and the hotter the fire, the cleaner the glass. A word of caution: although heat will not break the glass, impact can. Be careful not to hit the glass.

For light buildup, dampen a piece of balled up newspaper and dip it into the fireplace ashes to form a paste. Scrub the glass with the ash-paste to remove the soot and wipe clean. For heavier buildup, woodstove glass cleaner may be required.

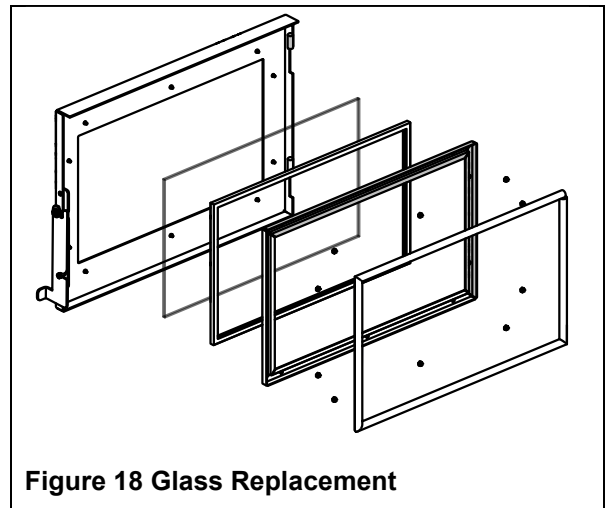
❖ **WARNING:** Never clean the glass with an abrasive cleaner unless specified for that particular use. Use only a cleaner recommended by your dealer. Never clean the glass while it is hot, a serious burn can result. There are several excellent wood stove glass cleaners available which are far superior to regular glass and oven cleaners for wood stove applications.

## **GLASS REPLACEMENT**

❖ **WARNING:** Do not operate the unit with broken glass

In the event that you break your glass by impact, purchase your replacement from an authorized RSF dealer only. The glass is made from 5mm thick ceramic and cannot be substituted for other materials.

Remove the door from the stove and remove the gasket around the perimeter. Then remove the 10 small nuts holding the glass retainer channels in place. Once removed, the broken glass can be changed. Replace the glass with a new glass and glass gasket, followed by the glass retainer channels and nuts. Secure the nuts, but do not overtighten as this may cause the glass to break. Re-install the door gasket using high temperature sealant.



## **PAINT**

❖ **WARNING:** Avoid spraying ceramic glass cleaner or other cleaners on the paint of the fireplace. They may remove the paint and make touch-up difficult.

You can touch up the face of the FOCUS 3600Bi with *Stove Bright* Metallic Black high temperature paint which is available at most fireplaces dealers. Follow the directions outlined on the spray can. **DO NOT** attempt to paint the fireplace while it is still warm. Keep the spray can away from any source of heat or open flame. Ensure that there is adequate ventilation in the room from the time you start painting until the paint is dry. *Stove Bright* is available in a wide range of colors if you want to change the color of your FOCUS 3600Bi.

We recommend that you take the time to protect or remove any item that you do not want to paint such as: the door glass, the fireplace surroundings, etc. The glass can be removed, but the gasket must be changed.

## **DOOR ADJUSTMENT**

To check for a proper door seal, insert a sheet of paper between the door and the front of the fireplace and latch the door. Pull gently but firmly on the sheet of paper. If there is resistance on the paper, the adjustment is correct. Repeat this procedure along all sides of the door.

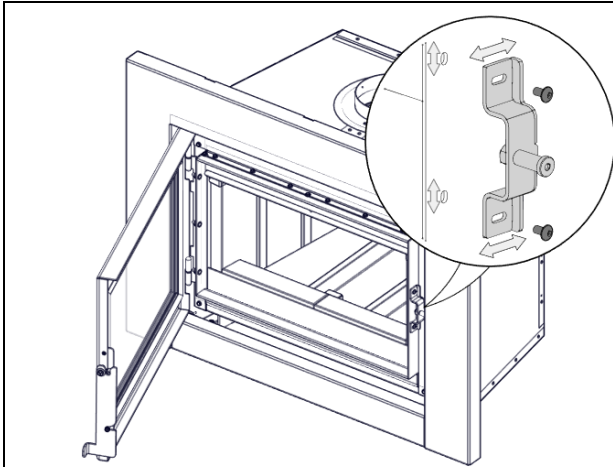
The most important factor for controlling the burn rate of the FOCUS 3600Bi is a good seal on the door gasket. If the door gasket is worn or damaged to the point where the seal is not adequate as described above, then remove and replace the gasket. Replacement kits are available from your RSF dealer.

If needed, the door hinges can be adjusted to improve the alignment of the door latch with respect to the latch pin on the fireplace in the fireplace facing, and for easy installation/removal of the door.

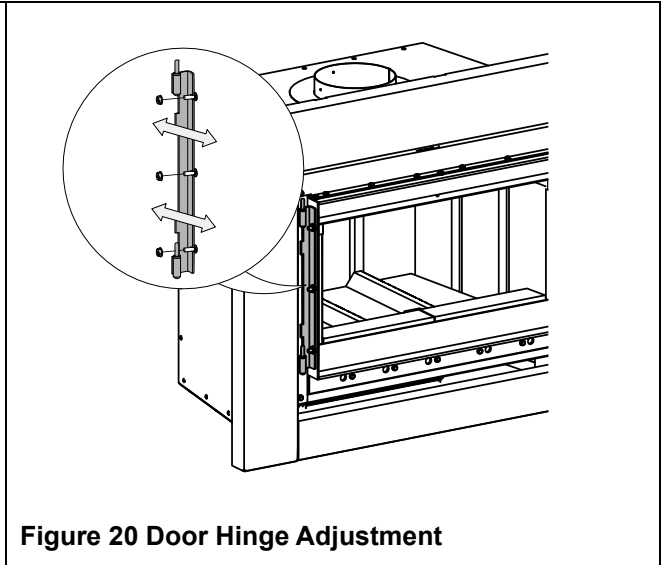
See Figure 19 to adjust the latch pin. This affects how tight the door is when latched. The door should seal when latched, but it should not be so tight that it is difficult to close. Over tightening the door will cause premature wear on the gaskets. Always verify your seal with the paper test.

See Figure 20 to adjust the door hinge. This affects how squarely the door fits on the fireplace and how tightly it seals on the hinge side of the door.

◆ **NOTE:** An improperly adjusted door seal can have a significant effect on the performance and durability of the fireplace. A poorly adjusted door can result in reduced efficiency, over firing, excessive wood consumption and premature fireplace failure.



**Figure 19 Door Latch Adjustment**



**Figure 20 Door Hinge Adjustment**


## **REMOVAL OF THE FIREPLACE INSERT**

For purpose of maintenance, inspection, repairs, etc., if a qualified technician or inspector require temporary removal of the fireplace insert, refer to the following instructions for the proper procedure:

- 1- Remove and dispose any ashes from the fireplace insert. See Maintenance section.
- 2- We recommend that you remove the door until after all finishing work is completed around the fireplace insert. This will reduce the possibility of scratches or damage to the finish.
- 3- Remove the facing of the unit by unscrewing the 5 screws (3 on top, and 2 at the bottom, 1 on each side).
- 4- See section Chimney Liner on page 11 and proceed with the reverse liner installation procedure.
- 5- Safely remove the fireplace insert from the masonry fireplace opening.

# LISTING LABEL

To access the listing label, remove the bottom louver (Figure 12). The listing label is glued to a steel plate which is attached to a small steel wire.



**MODEL/MODÈLE: FOCUS 3600Bi**

**LISTED FACTORY FIREPLACE INSERT**

**FOYER PRÉFABRIQUÉ ENCASTRABLE HOMOLOGUÉ**

**DO NOT REMOVE THIS LABEL**

**NE PAS ENLEVER CETTE ÉTIQUETTE**

File #: F23-112      STANDARDS / NORMES D'ESSAIS: CAN/ULC 628-2022, UL1482-R2022

CSA B415.1:22 CRIB WOOD, AVG PARTICULATE EMISSION RATE AT 1.7 G/H; 0.117 G/MJ. AS PER B415.1:22 CALCULATIONS: AVG EFFICIENCY, HIGHER HEATING WOOD VALUE (HHV): 70%, MIN./MAX. ENERGY OUTPUT: 11757 / 25406 BTU/HR.

CSA B415.1:22 BOIS DE CRIB, TAUX D'ÉMISSIONS MOYEN À :1.7 G/H; 0.117 G/MJ. D'APRÈS LES CALCULS DE LA CSA B415.1:22: EFFICACITÉ MOY. AVEC LA VALEUR CALORIFIQUE SUPÉRIEURE DU BOIS (HHV): 70%, MIN./MAX DE CHALEUR DÉGAGÉE: 11757 / 25406 BTU/HR.

- THIS FIREPLACE INSERT IS SUITABLE FOR INSTALLATION IN A MASONRY FIREPLACE ONLY, USING SOLID WOOD FUEL ONLY.
- NOT TO BE INSTALLED IN A FACTORY-BUILT FIREPLACE.
- THIS MASONRY FIREPLACE MAY HAVE BEEN ALTERED TO ACCOMMODATE A FIREPLACE INSERT AND A CHIMNEY LINER. IT SHOULD BE INSPECTED BY A QUALIFIED PERSON PRIOR TO BE RE-USE AS A CONVENTIONAL FIREPLACE.
- INSTALL AND USE ONLY IN ACCORDANCE WITH THE MANUFACTURER'S INSTALLATION AND OPERATING INSTRUCTIONS. DO NOT OBSTRUCT COMBUSTION AIR INLET. OPERATE WITH DOOR FULLY CLOSED.
- DO NOT USE GRATE. DO NOT ELEVATE THE FIRE. BUILD WOOD DIRECTLY ON HEARTH.
- CONTACT YOUR LOCAL BUILDING OR FIRE OFFICIALS ABOUT RESTRICTIONS AND INSTALLATION INSPECTIONS IN YOUR AREA.

- CE FOYER ENCASTRABLE CONVIENT UNIQUEMENT À UNE INSTALLATION DANS UNE ENCEINTE DE MAÇONNERIE, AVEC UTILISATION AU BOIS SEULEMENT. NE PAS INSTALLER DANS UN FOYER PRÉFABRIQUÉ.
- CETTE ENCEINTE DE MAÇONNERIE PEUT AVOIR ÉTÉ MODIFIÉE POUR RECEVOIR UN ENCASTRABLE ET UNE GAINÉ DE CHEMINÉE. IL DOIT ÊTRE INSPECTÉ PAR UNE PERSONNE QUALIFIÉE AVANT D'ÊTRE RÉUTILISÉE EN TANT QUE FOYER TRADITIONNEL.
- INSTALLER ET UTILISER SELON LES INSTRUCTIONS D'INSTALLATION ET DE FONCTIONNEMENT DU MANUFACTURIER.
- NE PAS OBSTRUER L'ENTRÉE D'AIR COMBURANT.
- FAIRE FONCTIONNER L'APPAREIL AVEC LA PORTE COMPLÈTEMENT FERMÉE.
- NE PAS UTILISER DE GRILLE. NE PAS SURÉLÉVER LE FEU. ALLUMER LE FEU DIRECTEMENT AU FOND DE L'ÂTRE.
- COMMUNIQUER AVEC LES AUTORITÉS LOCALES OU LA PRÉVENTION DES INCENDIES DE VOTRE RÉGION AFIN DE CONNAÎTRE LES RESTRICTIONS ET EXIGENCES D'INSTALLATION.

MINIMUM CLEARANCES TO COMBUSTIBLES MATERIAL - FROM GLASS DOOR  
DÉGAGEMENTS MINIMAUX AUX MATÉRIEAUX COMBUSTIBLES - DE LA VITRE DE PORTE

SIDEWALL (A) 16 IN. (406 MM)	MUR DE CÔTÉ
*HEIGHT OF 8 IN. (203 MM) MANTEL SHELF (B) 24 IN. (610 MM)	*HAUTEUR DE LA TABLETTE DE 8 PO. (203 MM)
*MANTEL POSTS, 4 IN. (102 MM) DEEP (C) 8 IN. (229 MM)	* COLONNES DE MANTEAU DE CHEMINÉE DE 4 PO. (102 MM)

(D) = FROM 7 TO 12.25" IN (178-311 MM), A 1.5 R VALUE IS REQUIRED FOR FLOOR PROTECTION IN FRONT OF THE APPLIANCE. FROM 12.50 IN. (318 MM) AND UP, NO R VALUE IS REQUIRED FOR FLOOR PROTECTION.  
ENTRE 7 PO. ET 12.25PO. (178-311 MM), UNE VALEUR R D'ISOLATION DE 1.5 EST REQUISE POUR LA PROTECTION DE PLANCHER DEVANT L'APPAREIL. À PARTIR DE 12.50 PO. (318 MM), AUCUNE VALEUR R D'ISOLATION N'EST REQUISE.

(E) = CANADA: 18 IN. (457 MM) MINIMUM US: 16 IN. (406 MM) MINIMUM : FLOOR PROTECTION / PROTECTION DE PLANCHER.

(F) = WIDTH OF FLOOR PROTECTION: 8 IN. (203MM) EACH SIDE OF THE MASONRY FIREPLACE OPENING. / LARGEUR DE LA PROTECTION DE PLANCHER: 8 PO (203 MM) DE CHAQUE CÔTÉ DE L'OUVERTURE DE L'ENCEINTE DE MAÇONNERIE.

\*SEE INSTALLATION INSTRUCTIONS FOR OTHER SPECIFICATIONS OF MANTEL SHELF, MANTEL POSTS AND FLOOR PROTECTION.  
\*VOIR LE LIVRET D'INSTALLATION POUR AUTRES SPÉCIFICATIONS DE LA TABLETTE DU MANTEAU DE CHEMINÉE, DES COLONNES DU MANTEAU DE CHEMINÉE, ET PROTECTION DE PLANCHER

COMBUSTIBLE MATERIALS ARE NOT PERMITTED ON FACE OF UNIT. NON-COMBUSTIBLE FLOOR PROTECTION MUST BE 18 IN. (457 MM) (U.S.) AND 18 IN. (457 MM) (CANADA) DEEP AND EXTEND 8 IN. (203 MM) EACH SIDE OF THE MASONRY FIREPLACE OPENING.

COMPONENTS REQUIRED FOR INSTALLATION: USE 8 IN. (152 MM) CONTINUOUS STAINLESS STEEL LISTED LINER (RIGID OR FLEX) AND LISTED COMPONENTS AS PER INSTALLATION INSTRUCTIONS.

REFER TO MANUFACTURER'S INSTALLATION AND OPERATING INSTRUCTIONS FOR OPTIONAL COMPONENTS: BACKING PLATE, FAN KIT (120V, 60HZ, 2A MAX.), ETC. ONLY ORIGINAL RSF OPTIONS SHOULD BE USED WITH THIS FIREPLACE, AND PURCHASE THROUGH RSF DEALERS.

REPLACE GLASS ONLY WITH 6MM CERAMIC GLASS. OPERATE ONLY WITH FIREBRICK IN PLACE. FOR USE WITH SOLID WOOD FUEL ONLY.

DO NOT OVERFIRE UNIT - IF HEATER OR CHIMNEY CONNECTOR GLOWS, YOU ARE OVERFIRING.

DO NOT CONNECT THIS UNIT TO A CHIMNEY FLUE SERVING ANOTHER APPLIANCE.

INSPECT AND CLEAN CHIMNEY FREQUENTLY. UNDER CERTAIN CONDITIONS OF USE, CREOSOTE BUILDUP MAY OCCUR RAPIDLY.

THIS WOOD HEATER NEEDS PERIODIC INSPECTION AND REPAIR FOR PROPER OPERATION. CONSULT THE OWNER'S MANUAL FOR FURTHER INFORMATION. IT IS AGAINST FEDERAL REGULATIONS TO OPERATE THIS WOOD HEATER IN A MANNER INCONSISTENT WITH THE OPERATING INSTRUCTIONS IN THE OWNER'S MANUAL.

LES MATÉRIEAUX COMBUSTIBLES NE SONT PAS PERMIS SUR LA FAÇADE DE L'APPAREIL. LA PROTECTION DE PLANCHER INCOMBUSTIBLE DEVANT L'APPAREIL DOIT ÊTRE DE 18 PO. (457 MM) (E.-U.) ET 18 PO. (457 MM) (CANADA) DE PROFONDEUR ET DÉPASSER DE 8 PO. (203 MM) DE CHAQUE CÔTÉ DE L'OUVERTURE DE L'ENCEINTE DE MAÇONNERIE.

PIÈCES REQUISES POUR L'INSTALLATION: UTILISER UNE GAINÉ DE CHEMINÉE (RIGIDE OU FLEXIBLE) HOMOLOGUÉE DE 8 PO. (152 MM) DE DIAMÈTRE ET SES COMPOSANTS HOMOLOGUÉS SELON LES INSTRUCTIONS D'INSTALLATION.

VOIR LES INSTRUCTIONS D'INSTALLATION DU MANUFACTURIER POUR LES COMPOSANTS OPTIONNELS: PLAGUE DE DOUBLAGE, VENTILATEUR (120V, 60HZ, 2A MAX.), ETC. SEULES LES OPTIONS ORIGINALES DE RSF DOIVENT ÊTRE UTILISÉES, ET ACHETÉES PAR L'ENTREPRISE DE DÉTAILLANTS RSF.

LE REMPLACEMENT D'UNE VITRE DOIT SE FAIRE AVEC UNE VITRE CÉRAMIQUE DE 6MM D'ÉPAISSEUR SEULEMENT. OPÉRER SEULEMENT AVEC LES PIERRES RÉFRACTAIRES EN PLACE. POUR UTILISATION AVEC DU BOIS SEULEMENT.

NE PAS SURCHAUFFER L'APPAREIL - SI L'APPAREIL OU LE TUYAU ROUGIT, VOUS SURCHAUFFEZ.

INSPECTER ET NETTOYER LA CHEMINÉE FRÉQUEMMENT. DANS CERTAINES CONDITIONS, L'ACCUMULATION DE CRÉOSOTE PEUT SE PRODUIRE RAPIDEMENT.

CET APPAREIL AU BOIS DOIT ÊTRE INSPECTÉ PÉRIODIQUEMENT ET MAINTENU EN BON ÉTAT DE FONCTIONNEMENT. RÉFÉREZ-VOUS AU MANUEL DU PROPRIÉTAIRE POUR PLUS D'INFORMATION. IL EST INTERDIT PAR LES LOIS FÉDÉRALES D'OPÉRER CET APPAREIL AU BOIS SANS RESPECTER LES CONSIGNES D'OPÉRATION DU MANUEL DU PROPRIÉTAIRE.

## CAUTION / ATTENTION

- HOT WHILE IN OPERATION. • DO NOT TOUCH. • KEEP CHILDREN, CLOTHING, FURNITURE AND COMBUSTIBLE MATERIALS AWAY. • CONTACT MAY CAUSE SKIN BURNS. • READ ABOVE INSTRUCTIONS.

- APPAREIL CHAUD LORSQU'IL FONCTIONNE. • NE PAS TOUCHER. • GARDER À DISTANCE LES ENFANTS, VÊTEMENTS, MOBILIER, ET MATÉRIEAUX COMBUSTIBLES. • TOUT CONTACT PEUT CAUSER DES BRÛLURES. • LIRE LES INSTRUCTIONS CI-DESSUS.

**GB000000**  
SERIAL NO. / NO DE SERIE

YYYY - MM - DD  
DATE MANUFACTURED  
DATE DE FABRICATION

MANUFACTURED BY / FABRIQUÉ PAR:  
ICC, 400 J.F. KENNEDY, ST-JEROME, QC,  
CANADA, J7Y 4B7

**930329**

---

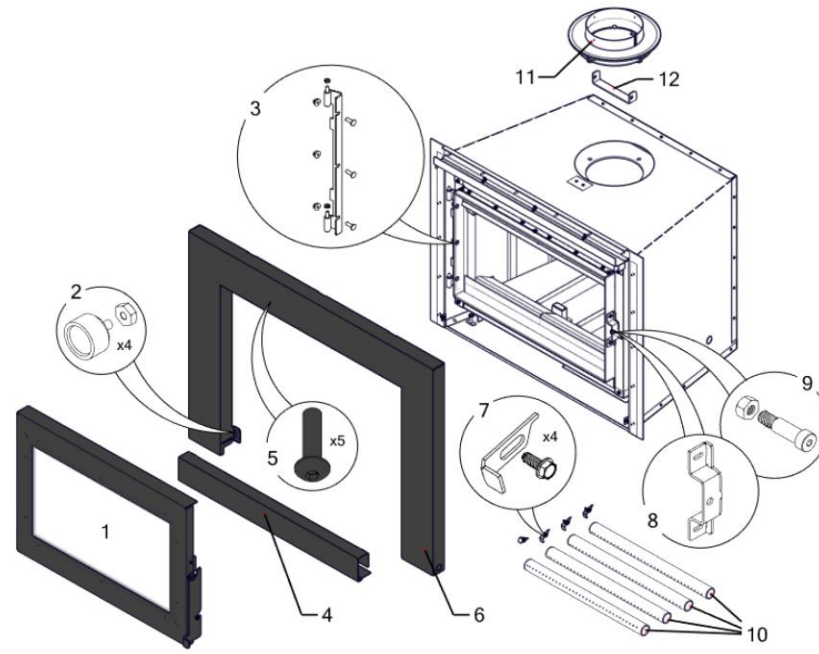
---

## COMPLETE OPTIONS LIST

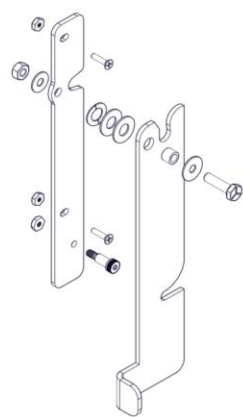
		Electricity Required
FO-F3600INBP	Backing Plate (flat)	
FO-F3600INBP2	Deep Backing Plate (1.5" depth)	
FO-GRK5	Gasket Replacement Kit	
FO-HB1	Internal Blower Kit	✓

# REPLACEMENT PARTS

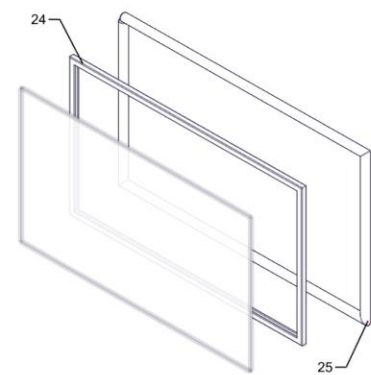
Use only genuine RSF parts. The use of any substitutes will void the warranty and may put your safety at risk.



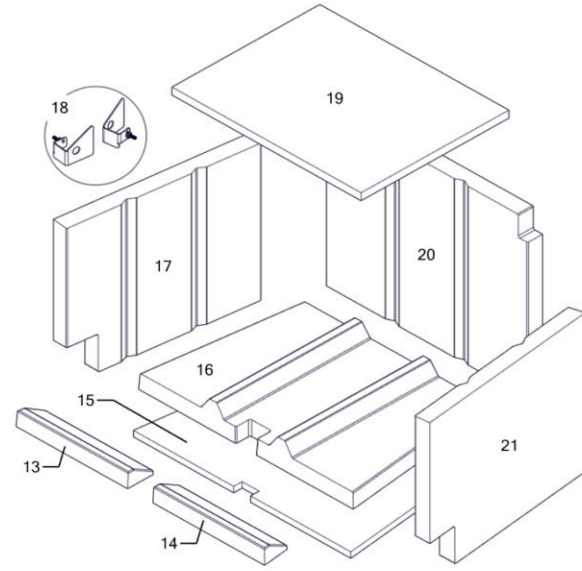
#	Part #	Description
1	FR-99.09.01.GA	F3600IN-COMplete DOOR ASSEMBLY
2	FR-99.10.01.GA	F3600IN - LOWER LOUVER MAGNET ASSY (4)
3	FR-99.09.02.GA	F3600IN- DOOR HINGE BRACKETS
4	FR-99.10.02.GA	F3600IN - BOTTOM LOUVER
5	FR-99.04.01.GA	F3600IN - FACEPLATE RETAINER BOLTS (5)
6	FR-99.04.02.GA	F3600IN - FACEPLATE
7	FR-99.07.03.LA	PRL3600/F3600-AIRTUBE BRACKETS+SCREWS(4)
8	FR-99.09.06.FE	PRL3600/F3600/ IN - DOOR LATCH ASSEMBLY
9	FR-99.04.03.GA	F3600 / F3600IN - DOOR LATCH PIN
10	FR-99.07.01.LA	PRL3600/F3600 - SECONDARY AIR TUBE +HDWR
11	FR-99.05.01.GA	F3600IN - DETACHABLE FLUE COLLAR
12	FR-99.05.02.GA	F3600IN - DETACHABLE FLUE COLLAR HANDLE
13	FR-98.11.01.LA	PRL3600/F3600 - FRONT RIGHT REFRACTORY
14	FR-98.11.05.LA	PRL3600/F3600 - FRONT LEFT REFRACTORY
15	FR-98.11.07.LA	PRL3600/F3600 - BOTTOM INSULATION
16	FR-98.11.04.LA	PRL3600/F3600 - BOTTOM REFRACTORY
17	FR-98.11.06.LA	PRL3600/F3600 - SIDE LEFT REFRACTORY
18	FR-98.11.09.LA	PRL3600/F3600- SIDE REFRACT. CLIPS (L&R)
19	FR-98.11.08.LA	PRL3600/F3600 - FLAME DEFLECTOR (C-CAST)
20	FR-98.11.03.LA	PRL3600/F3600 - BACK REFRACTORY
21	FR-98.11.02.LA	PRL3600/F3600 - SIDE RIGHT REFRACTORY
22	FR-99.11.01. LA	PRL3600 - COMPLETE REFRACTORY BRICK SET
23	FR-99.09.04.GA	F3600IN -- DOOR HANDLE ASSEMBLY
24	FR-98.09.05	GLASS DOOR GASKET- 1/8"thick x 1"wide
25	FO-GRK8	GASKET REPLACEMENT KIT ¾
26	FR-99.09.02.FE	F3600 - GLASS AND GASKETS



23. Door handle assembly



26. Glass and gaskets



21. Complete refractory brick set



## LIMITED WARRANTY

### 30 Years Limited Warranty

**All RSF Woodburning appliances are warranted against defects in material and workmanship for a period of 30 years, subject to the following conditions:**

During the first year **RSF Woodburning Fireplaces** will repair or replace, at our option, any parts which upon examination by an authorized **RSF Woodburning Fireplaces** representative, are found to be defective, except the parts listed in the EXCLUSIONS portion of this warranty. **RSF Woodburning Fireplaces** will also pay reasonable labor costs for the repair work.

During the second through fifth years **RSF Woodburning Fireplaces** will repair or replace, at our option, any parts which upon examination by an authorized **RSF Woodburning Fireplaces** representative, are found to be defective, except the parts listed in the EXCLUSIONS portion of this warranty. **RSF Woodburning Fireplaces** shall not be responsible for any labor costs associated with this repair work.

During the sixth through thirtieth years **RSF Woodburning Fireplaces** will provide replacement parts, if available, at 50% of the published retail price, except for the parts listed in the EXCLUSIONS portion of this warranty. **RSF Woodburning Fireplaces** shall not be responsible for any labor costs associated with this repair work.

#### **EXCLUSIONS:**

Electrical components are warranted for one year only.

Glass and plating.

Andirons (front and back parts).

Damage due to normal wear and tear, such as paint discoloration, worn gaskets, eroded or cracked refractory components.

Repairs or replacements necessitated by vandalism, neglect, abuse, over-firing, improper fuel or fuel loads, or failure to adequately service the unit, as stated in the owner's manual.

Repairs or replacements (particularly charges for travel and labor) not authorized by **RSF Woodburning Fireplaces** in advance.

#### **LIMITATIONS:**

All items found to be defective will be replaced or repaired upon return of the defective part to an authorized **RSF Woodburning Fireplaces** dealer. **RSF Woodburning Fireplaces** will not be responsible for freight costs related to shipping replacement parts.

Any complete fireplace, or part thereof, that is replaced or serviced under this warranty, will be warranted for a period not exceeding the remaining term of the original warranty.

This warranty is not transferable.

This warranty does not apply to damage to the appliance while in transit.

This warranty does not apply if the installation does not conform to the installation requirements in the owner's manual.

**RSF Woodburning Fireplaces** is free of liability for any damages caused by the appliance, as well as material and labor charges incurred in the removal or re-installation of any **RSF Woodburning Fireplaces** fireplace under this warranty. Incidental or consequential damages are not covered by this warranty.

The remedies set forth herein are exclusive, and the liability of the seller shall not exceed the price of the fireplace or part thereof upon which the liability is based.

This warranty is expressly in lieu of all other warranties expressed or implied, including the warranties of merchantability and fitness for use and all other obligations or liabilities on the part of **RSF Woodburning Fireplaces**.