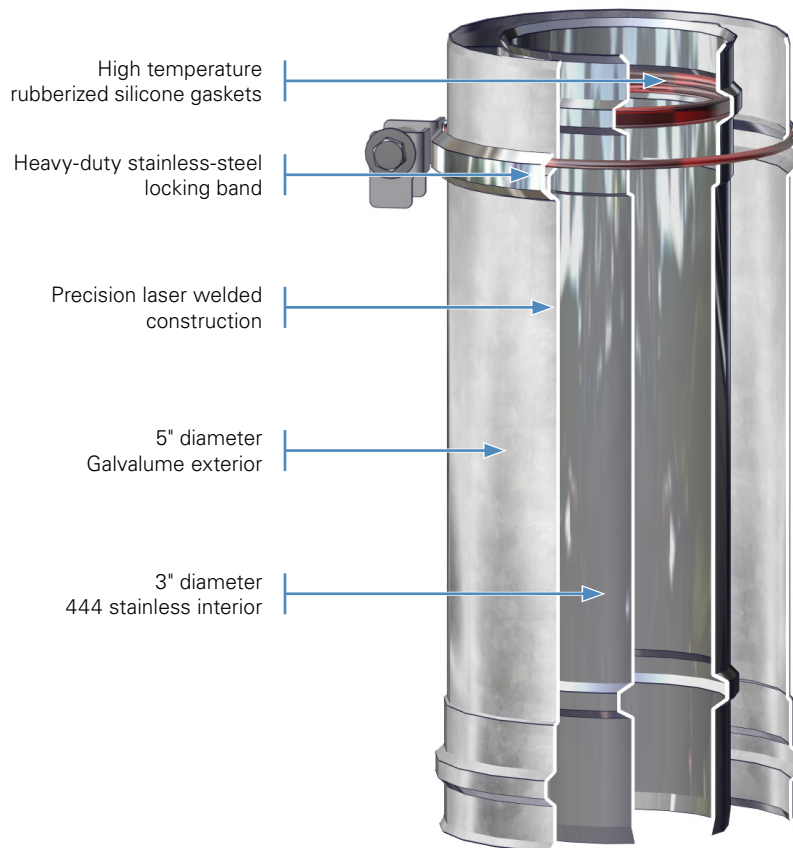


EXCELDirect 3/5 Power Vent®

EXCELDirect Power Vent is the essential solution to pressurized direct vent systems. Ideal for direct vent appliances with a power termination or an in-line fan. It is listed to a 550° F (288°C) temperature rating, while other brands are listed at 400°F (204.4°C). The positive seal is achieved with the high temperature silicone gasket on the inside and an O-ring for the outer pipe. Which means it has the tightest seals on the market.

The 3/5 pipe fits easier in tight spaces. Locking bands make the pipe rigid after installation and no twist lock means you can adjust the fitting to meet your installation requirements. No taping joints, no lubricants on the pipe and no sealants are required. Just fast, easy, clean assembly.



Listing # MH46076

UL 1738 – Venting Systems for Gas-Burning Appliances, Categories II, III, & IV

UL 2112 – Gas Fired Direct Vent Appliances

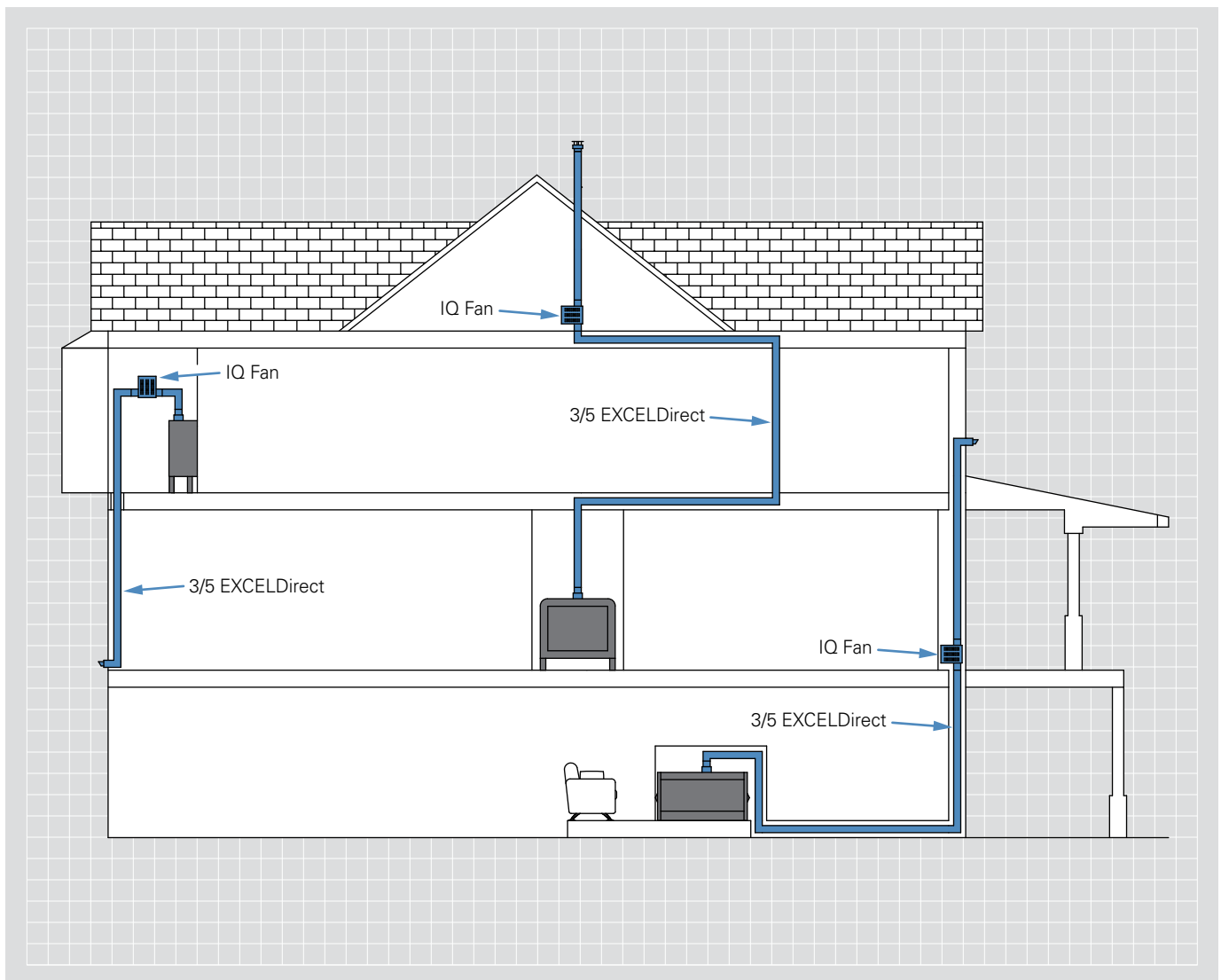
ULC-S636 – Type BH Gas venting Systems

ANSI Z21.88 – CSA2.33 – Vented Gas Fireplace Heaters

The fireplace goes where you say it goes!

No more limitations on where a gas fireplace can or can't be installed. With the IQ Vent System, the possibilities are endless. Run up to 180' of venting on a single gas fireplace*. Run it up, snake it down, and take it anywhere it needs to be.

The whisper quiet **IQ Fan** creates the perfect amount of draft for any gas fireplace. This ensures safe, consistent operation and performance.

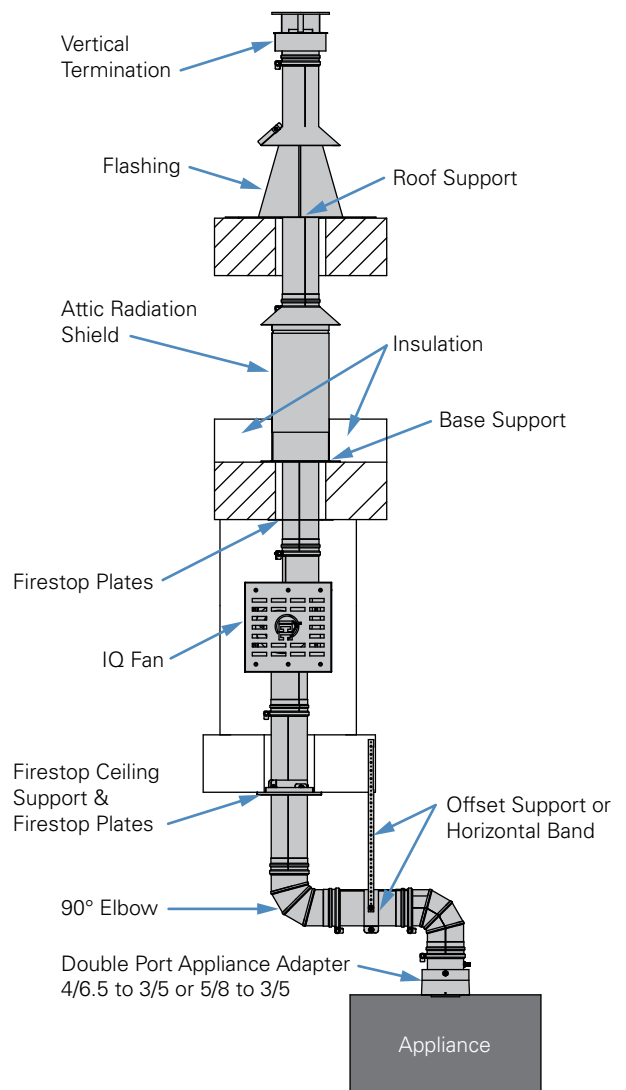
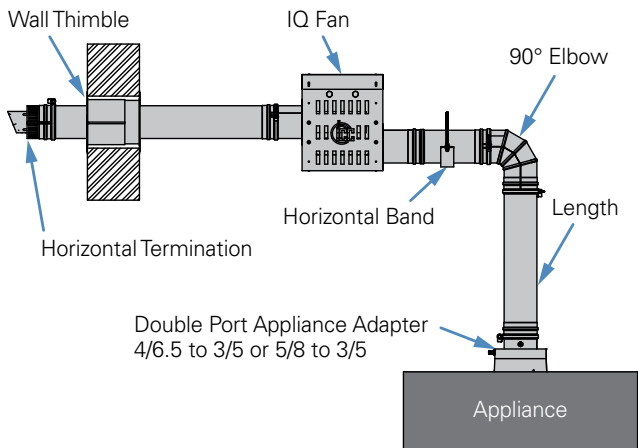


*Up to 180 equivalent feet estimating 10' of run per 90° elbow

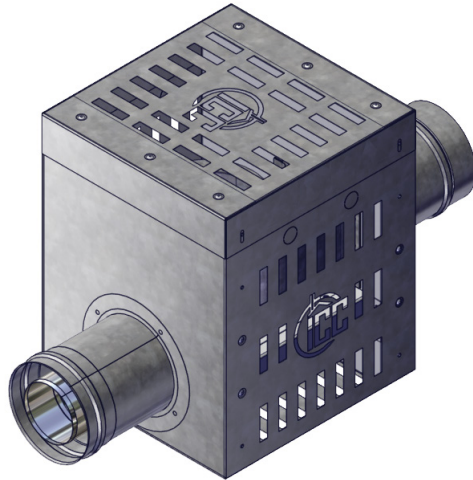
EXCELDirect 3/5 Power Vent[®]

Planning your installation

Examples of Power Vent Horizontal and Vertical Installations



Set it and forget it.



IQ Fan

The weather is always changing. The IQ Vent System eliminates issues with high wind, long runs, high rises, custom homes, environmental oddities, etc.

The IQ Controller detects changes in the system and tunes the IQ Fan to the ideal speed, adjusting continuously as necessary.

Simply set the optimal flame pattern for the gas fireplace and the IQ Vent System will take care of the rest.

ADVANTAGES

- Safe gas fireplace operation in all conditions
- Optimal fire pattern all the time
- Whisper quiet operation
- Hassle free operation and happier customers