



FO-KFSBR

Focus 320 SBR Rock Retainer Kit

This rock retainer kit will allow you to finish your Focus 320 SBR fireplace with thin non-supporting facing such as tiles. It includes parts to block the top and bottom louver openings, or to keep both louvers open. It is not necessary when installing full brick or other self-supporting materials.

Facing materials must be NON-COMBUSTIBLE such as metal, brick, concrete board or ceramic tile. Gypsum board is NOT an acceptable facing material.

❖ **WARNING: YOU MUST INSTALL THE CLEAN FACE OPTION (FO-F2) ALONG WITH TWO GRAVITY VENT KITS (FO-V2 OR FO-V3) TO BE ABLE TO COMPLETELY BLOCK OFF ALL LOUVERS.**

INSTALLATION

- ◆ **NOTE:** To provide backing for the edges of the rock retainer, the unit must be completely framed.
- ◆ **NOTE:** A wider steel lintel may be required for heavy rock. If so, contact your local sheet metal contractor for a custom steel lintel and make sure that the final thickness of the masonry allows the doors to open completely. It may be necessary to install the various mesh assemblies farther from the doors. Keep this in mind during the installation.
- ◆ **NOTE:** Use only the predrilled holes in the FO-KFSBR to attach it to the fireplace.

Please start by identifying the configuration of rock retainer you want to install (see Figure 2 et Figure 3, on page 6):

Both louvers blocked	Configuration A
Both louvers open	Configuration B

Once you have chosen the desired configuration, please make sure to correctly identify the necessary parts as listed in the Figure 1.

Configuration A – With both louvers blocked

- A1. If you have already installed the blocking plates from the Clean Face Kit (FO-F2), remove them. The rock retainer kit provides its own plates.
- A2. Using the self-tapping screws provided, install the top mesh assembly (Part 3a) over the upper louver opening, just above the door as shown in Figure 2. Then install the air control access panel assembly (Part 3b) over the top mesh assembly to block off the access hole.

The air control access panel allows access to the air control if servicing is necessary.

- A3. Using the self-tapping screws provided, install the left and right side mesh assemblies (Parts 1 and 2) on each side of the door, making sure that the edges fit nicely with the top mesh assembly as shown in Figure 2.
- A4. Using the self-tapping screws provided, install the bottom mesh assembly (Part 5) centered and just below the door as shown in Figure 2.
- A5. Install the extension for the top mesh assembly (Part 4) above the top mesh assembly using two self-tapping screws.

Configuration B – With both louvers open

- B1. Using the self-tapping screws provided, install the top mesh assembly (Part 3a) centered on the fireplace and 1½" above the top louver opening as shown in Figure 3. Then install the air control access door (Part 3b) over the open portion of Part 3a.
- B2. Using the self-tapping screws provided, install the left and right side mesh assemblies (Parts 1 and 2) on each side of the door, making sure that the edges fit nicely with the top mesh assembly as shown in Figure 3.
- B3. Using the self-tapping screws provided, install all left and right, top and bottom brackets (Parts 6 and 7) as shown in Figure 3.
- B4. Install the extension for the top mesh assembly (Part 4) above the top mesh assembly using two self-tapping screws.

For all configurations

◆ **NOTE:** We recommend removing the fireplace door before starting the finishing work. Store it in a safe place until the masonry work is finished.

- 1. Cover the rest of the wall with wire mesh, or metal lath, overlapping the already installed screen. Make sure nails or staples used for fastening the mesh penetrate the studs by at least 1".
- 2. Using a plasterer's or mason trowel, apply a scratch coat of mortar that covers the wire mesh and screen. The mortar must be "thin set", or "thin bed" type, inherently polymer modified. If the mortar is not modified, then a synthetic latex additive should be added. Mix to a firm moist consistency. Let the mortar set before adding another coat. This will take several hours. Afterwards, apply a thinner coat and the facing. Do not spread plaster over more than a workable area so that the mortar will not set before the facing is applied. If required, use a grout bag to fill the joints. Take extra care to avoid smearing on the surface of the facing (see Figure 4).

Remember that the air control access panel (Part 3b) provides access to the air control located behind the right side top louver opening. It is important that the finishing which covers this area be installed in such a way that it can be removed easily as shown in Figure 5.

	A	B
Part 1	✓	✓
Part 2	✓	✓
Part 3a	✓	✓
Part 3b	✓	✓
Part 4	✓	✓
Part 5	✓	
Part 6		✓✓
Part 7		✓✓

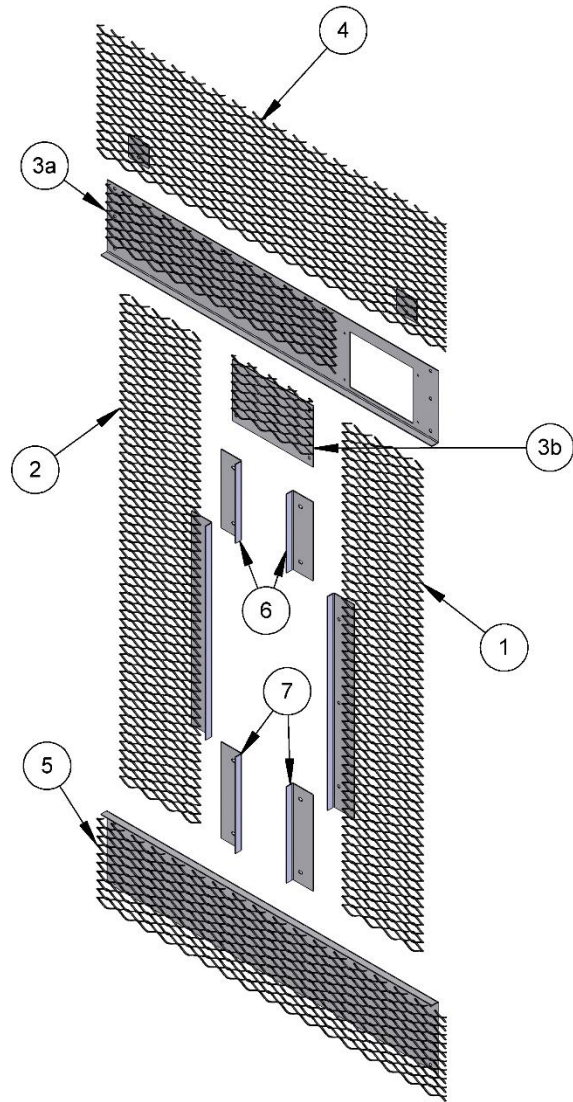
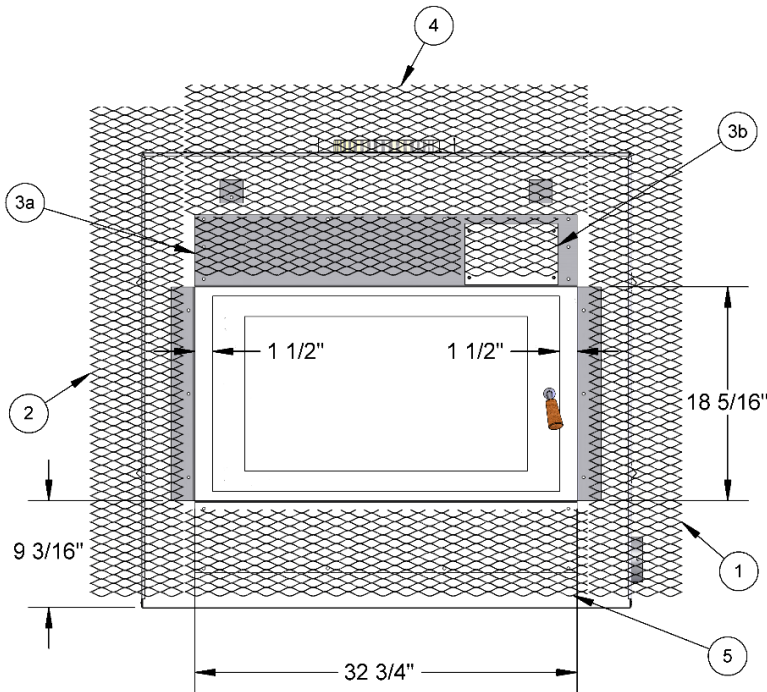


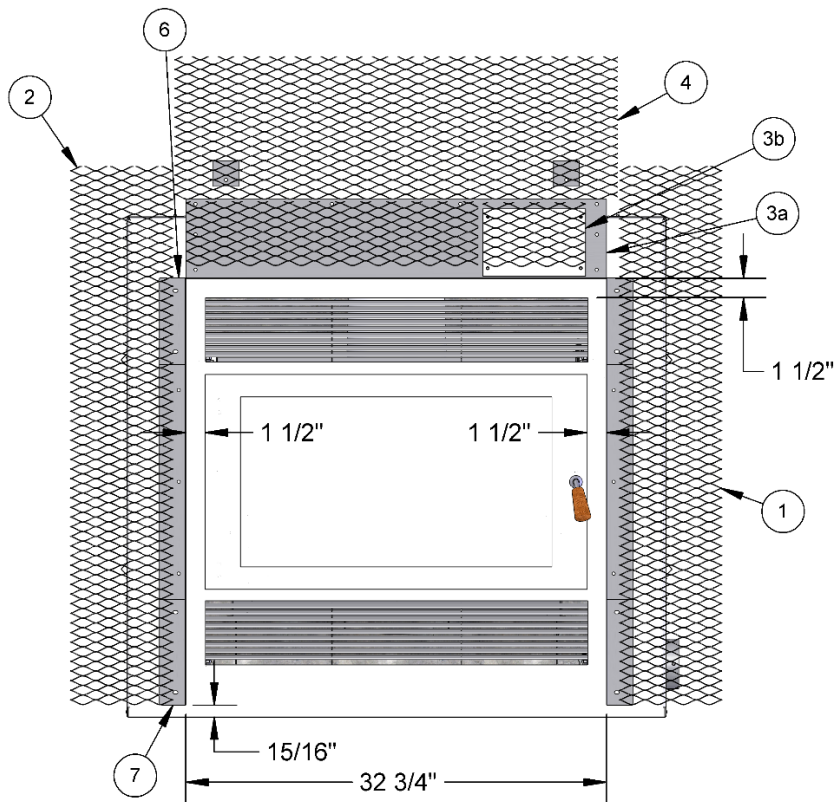
Figure 1 List of parts per configuration



◆ **NOTE:**

Use only the predrilled holes in the FO-KFSBR to attach it to the fireplace.

**Figure 2 Configuration A – Installation
Both louvers blocked**



◆ **NOTE:**

Use only the predrilled holes in the FO-KFSBR to attach it to the fireplace.

**Figure 3 Configuration B – Installation
Both louvers open**

