



# FO-HB1

## Internal Blower - Insert

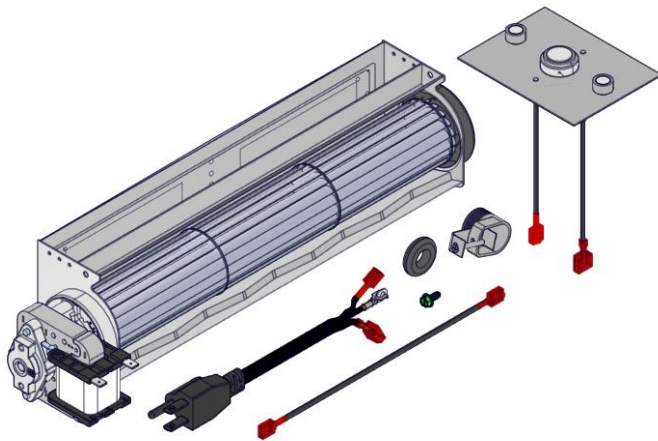
**ATTENTION:** All wiring must comply with local ordinances and the National Electrical Code.

**WARNING:** Moving parts may cause injury.

Risk of electric shock. Disconnect power before servicing unit.

Never unplug your blower by pulling on the power cord. Always grip the plug firmly and pull straight out from the outlet. Damage to the cord may cause a short-circuit, fire and/or electric shock.

The internal blower's role is to circulate heated air in the room where the insert is installed. Increasing air circulation warms all air in the room and makes it more comfortable. It is not the intended purpose of this blower to propel hot air into the room at a high velocity. Therefore, the sensation of air flowing out of the insert will be minimal during operation. Rest assured that if the blower is operating, it is mixing the air as intended, and that the room will feel warmer as a result.

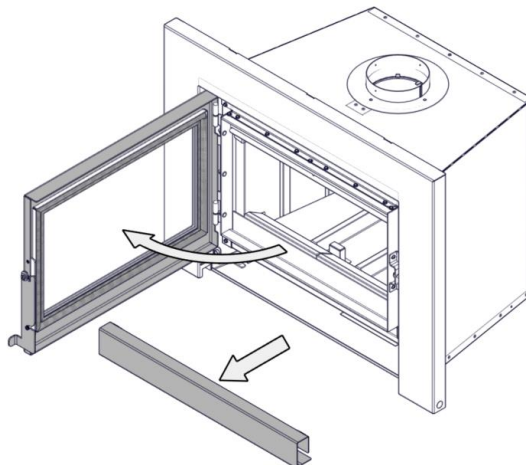


This blower kit includes:

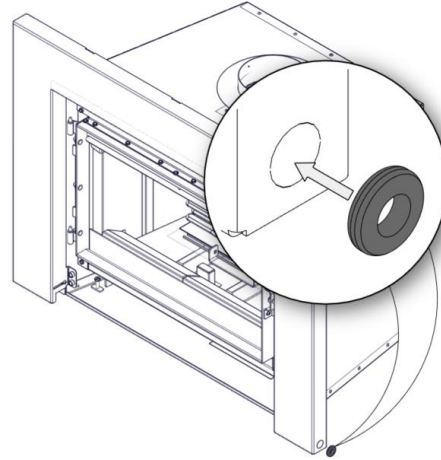
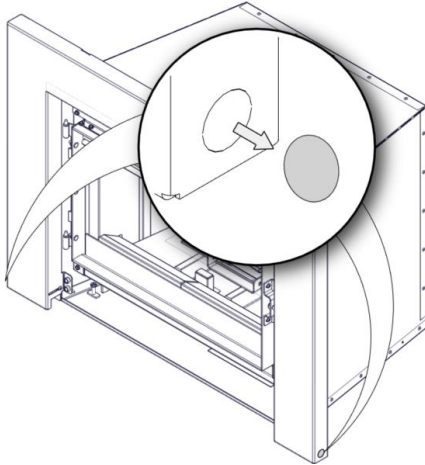
- Blower Assembly
- Thermal Switch Assembly
- Three wiring connections
- Outlet Plug and 10' cord
- Strain Relief Connector
- Rubber Grommet
- Ground Screw
- Instructions

## Installation of the Internal Blower

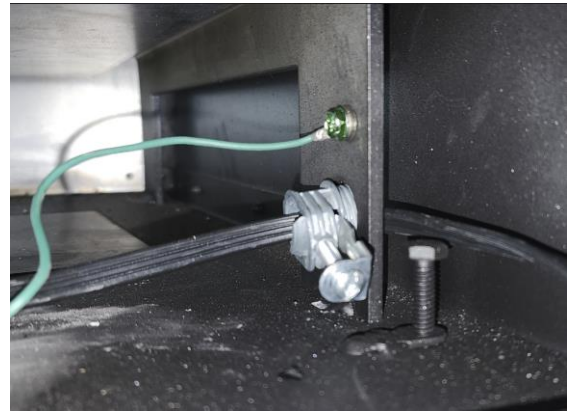
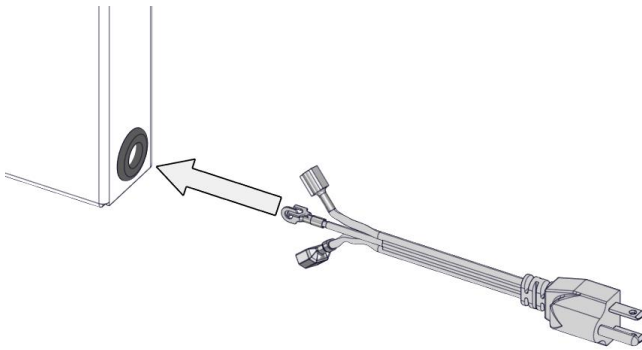
1. Open or remove the door of the insert and remove the bottom trim. To remove the door, lift it off the hinges.



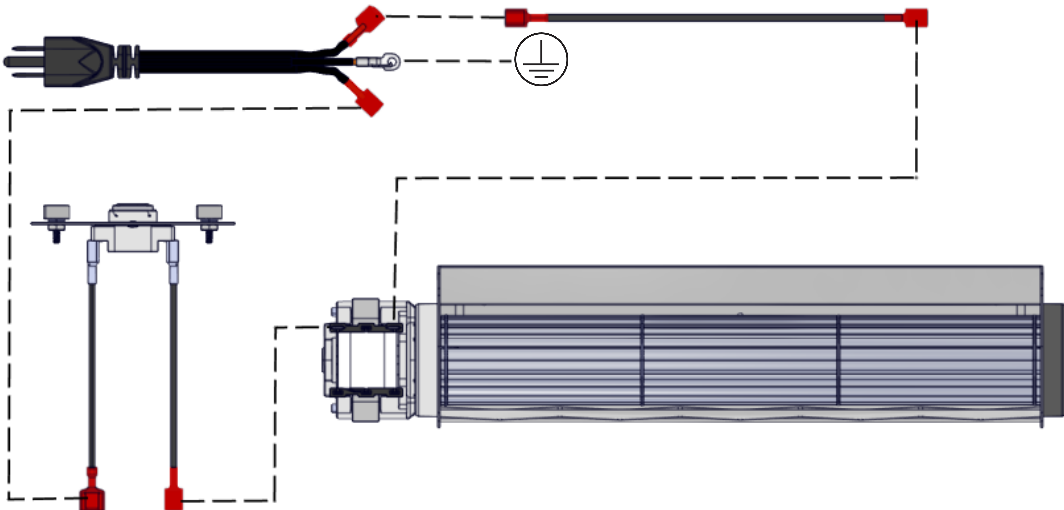
2. Select which side the power cord will exit the insert. Remove the knockout in the trim/facing accordingly and install the protective rubber grommet in its place.



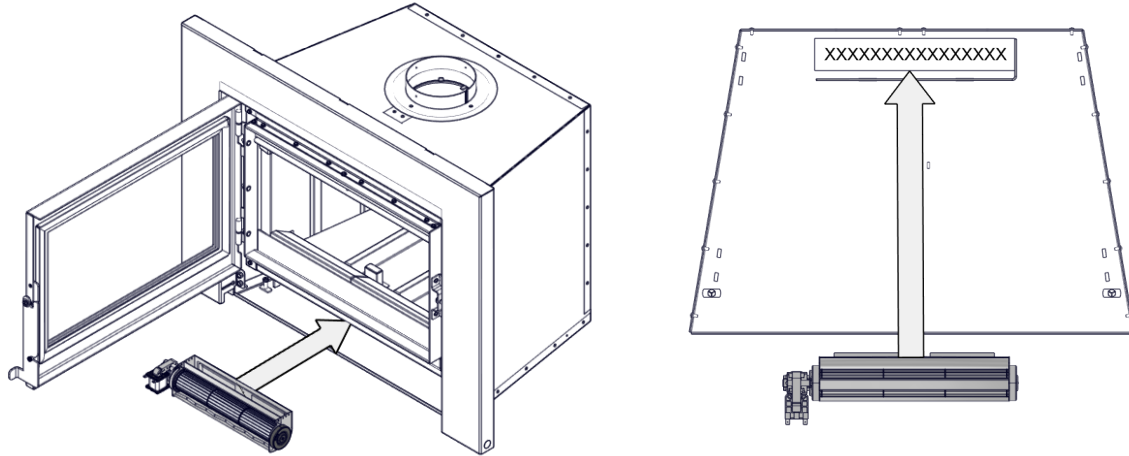
3. Pass the power cord through the opening in the trim. Once the cord is inside the insert, pass it through the round opening in the support leg of the insert and install the strain relief connector in that location. Do not tighten the strain relief connector to the cord at this time.



4. Connect the wiring for all components as shown. To connect the ground, it may be necessary to separate the ground wire from the cord by gently pulling the cables.



5. Place the blower in the bottom of the insert so that it rests within the guide provided and is sitting on the felt padding.



6. Place the thermal switch assembly in the centre of the firebox for best results. The magnets support it. Once everything is in place, tighten the strain relief connector to secure the cord.

