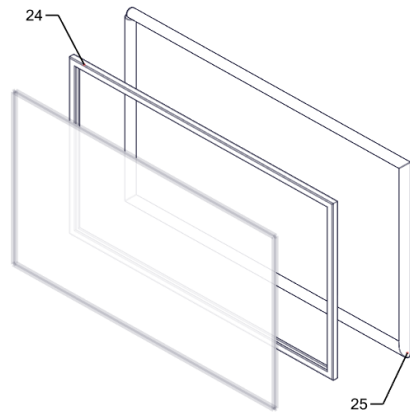
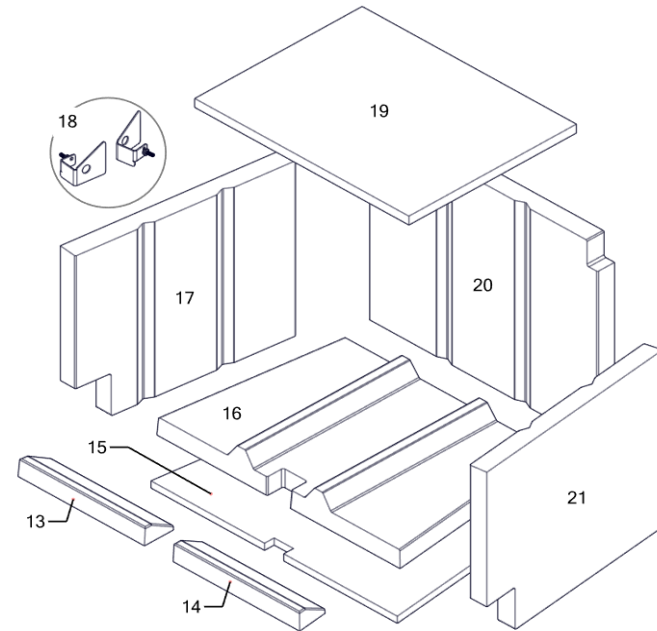


23. Door handle assembly



26. Glass and gaskets

#	Part #	Description
1	FR-99.09.01.GA	F3600IN-COMplete DOOR ASSEMBLY
2	FR-99.10.01.GA	F3600IN - LOWER LOUVER MAGNET ASSY (4)
3	FR-99.09.02.GA	F3600IN - DOOR HINGE BRACKETS
4	FR-99.10.02.GA	F3600IN - BOTTOM LOUVER
5	FR-99.04.01.GA	F3600IN - FACEPLATE RETAINER BOLTS (5)
6	FR-99.04.02.GA	F3600IN - FACEPLATE
7	FR-99.07.03.LA	PRL3600/F3600-AIRTUBE BRACKETS+SCREWS(4)
8	FR-99.09.06.FE	PRL3600/F3600/ IN - DOOR LATCH ASSEMBLY
9	FR-99.04.03.GA	F3600 / F3600IN - DOOR LATCH PIN
10	FR-99.07.01.LA	PRL3600/F3600 - SECONDARY AIR TUBE +HDWR
11	FR-99.05.01.GA	F3600IN - DETACHABLE FLUE COLLAR
12	FR-99.05.02.GA	F3600IN - DETACHABLE FLUE COLLAR HANDLE
13	FR-98.11.01.LA	PRL3600/F3600 - FRONT RIGHT REFRACTORY
14	FR-98.11.05.LA	PRL3600/F3600 - FRONT LEFT REFRACTORY
15	FR-98.11.07.LA	PRL3600/F3600 - BOTTOM INSULATION
16	FR-98.11.04.LA	PRL3600/F3600 - BOTTOM REFRACTORY
17	FR-98.11.06.LA	PRL3600/F3600 - SIDE LEFT REFRACTORY
18	FR-98.11.09.LA	PRL3600/F3600- SIDE REFRACT. CLIPS (L&R)
19	FR-98.11.08.LA	PRL3600/F3600 - FLAME DEFLECTOR (C-CAST)
20	FR-98.11.03.LA	PRL3600/F3600 - BACK REFRACTORY
21	FR-98.11.02.LA	PRL3600/F3600 - SIDE RIGHT REFRACTORY
22	FR-99.11.01.LA	PRL3600 - COMPLETE REFRACTORY BRICK SET
23	FR-99.09.04.GA	F3600IN -- DOOR HANDLE ASSEMBLY
24	FR-98.09.05	GLASS DOOR GASKET- 1/8"thick x 1"wide
25	FO-GRK8	GASKET REPLACEMENT KIT 3/8"
26	FR-99.09.02.FE	F3600 - GLASS AND GASKETS



21. Complete refractory brick set