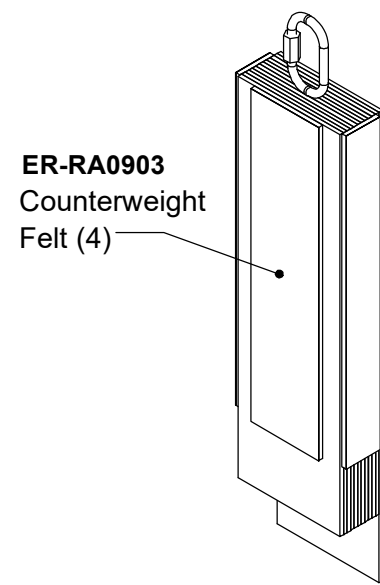


# RUMFORD 1000B

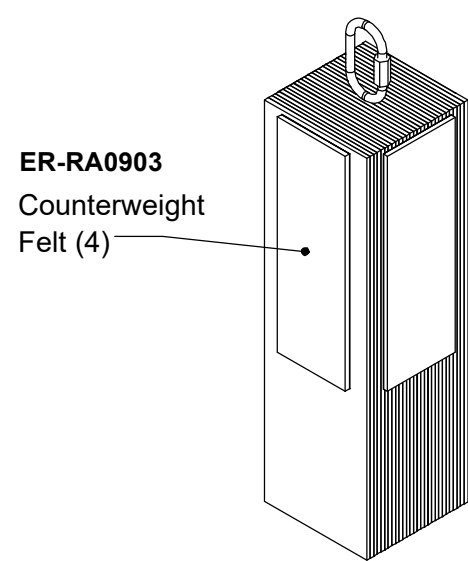


REV.	DATE
02	2022-09-20

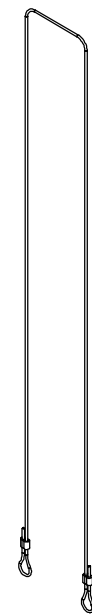
**ER-RA0938**  
Firescreen Counterweight



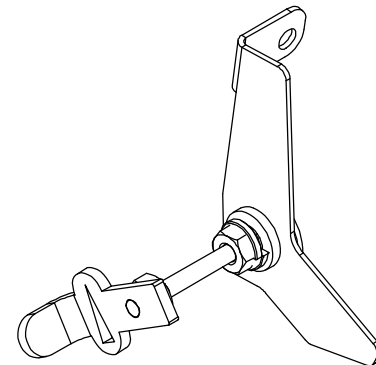
**ER-RA0901**  
Door Counterweight



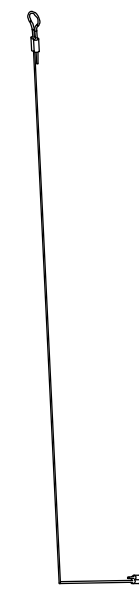
**ER-RA0939**  
Counterweight Cable



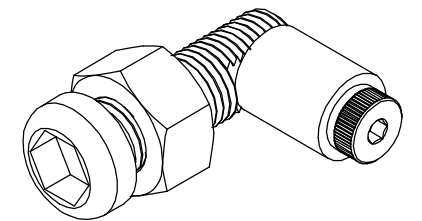
**ER-RA0501**  
Outside air control



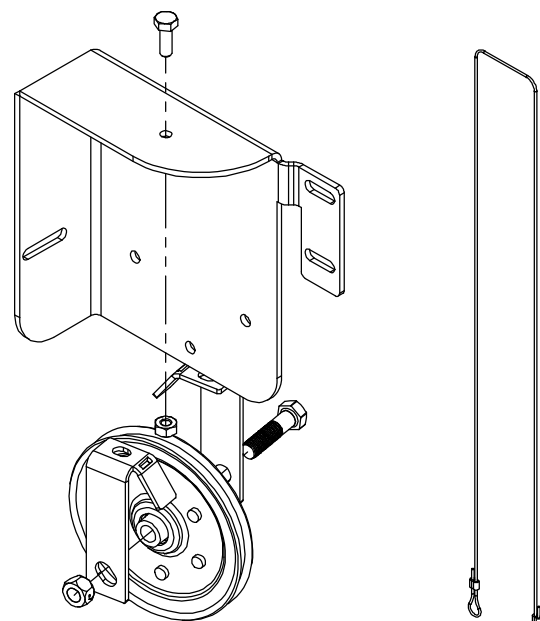
**ER-RA0502**  
Outside air control cable



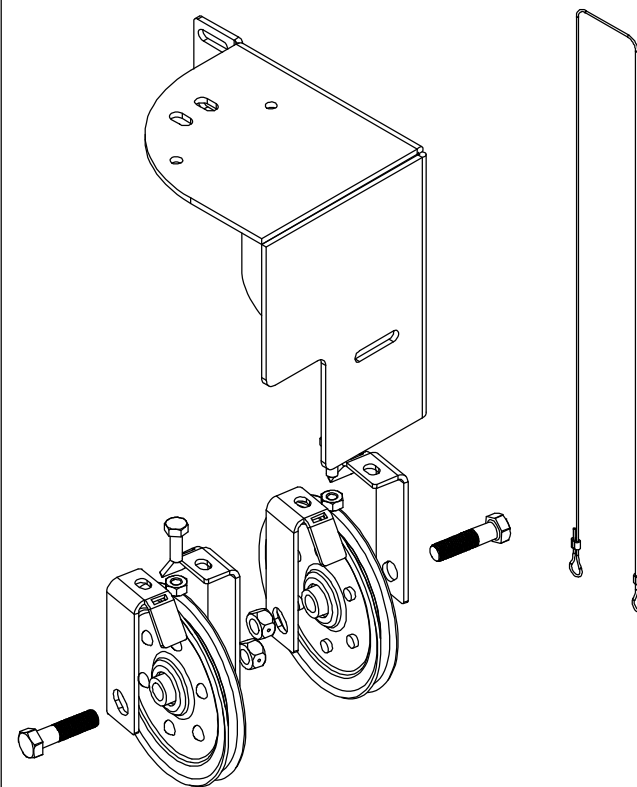
**ER-RA0928**  
Glass Door Latch



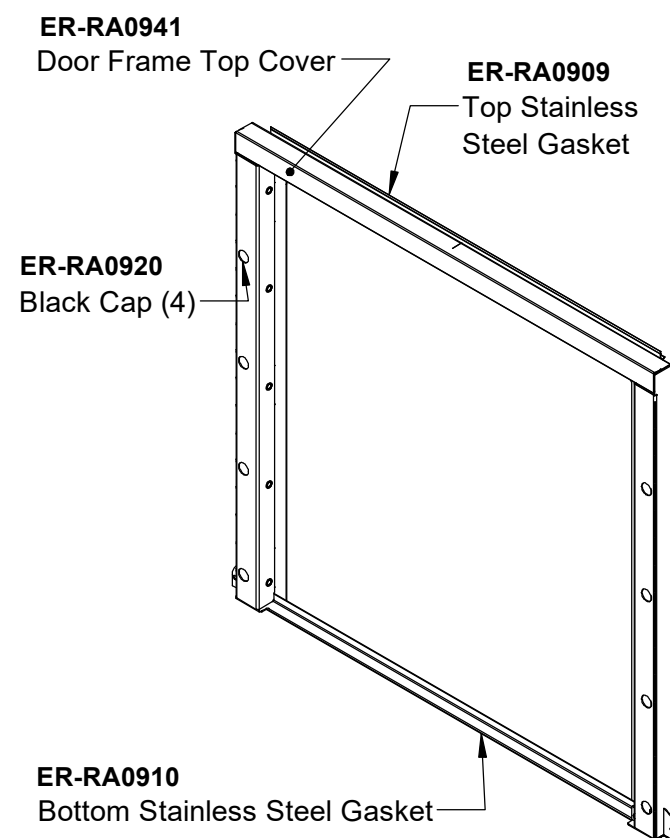
**ER-RA0921**  
Left Pulley Support and cable



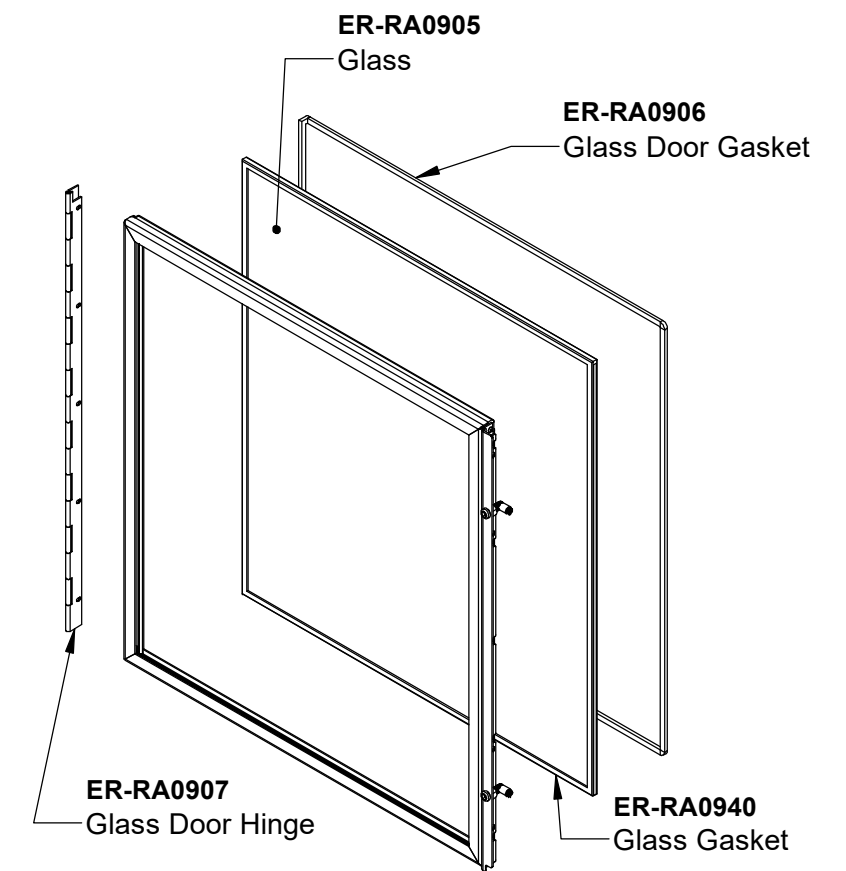
**ER-RA0942**  
Right Pulley Support and cable



**ER-RA0911**  
Guillotine Door Frame

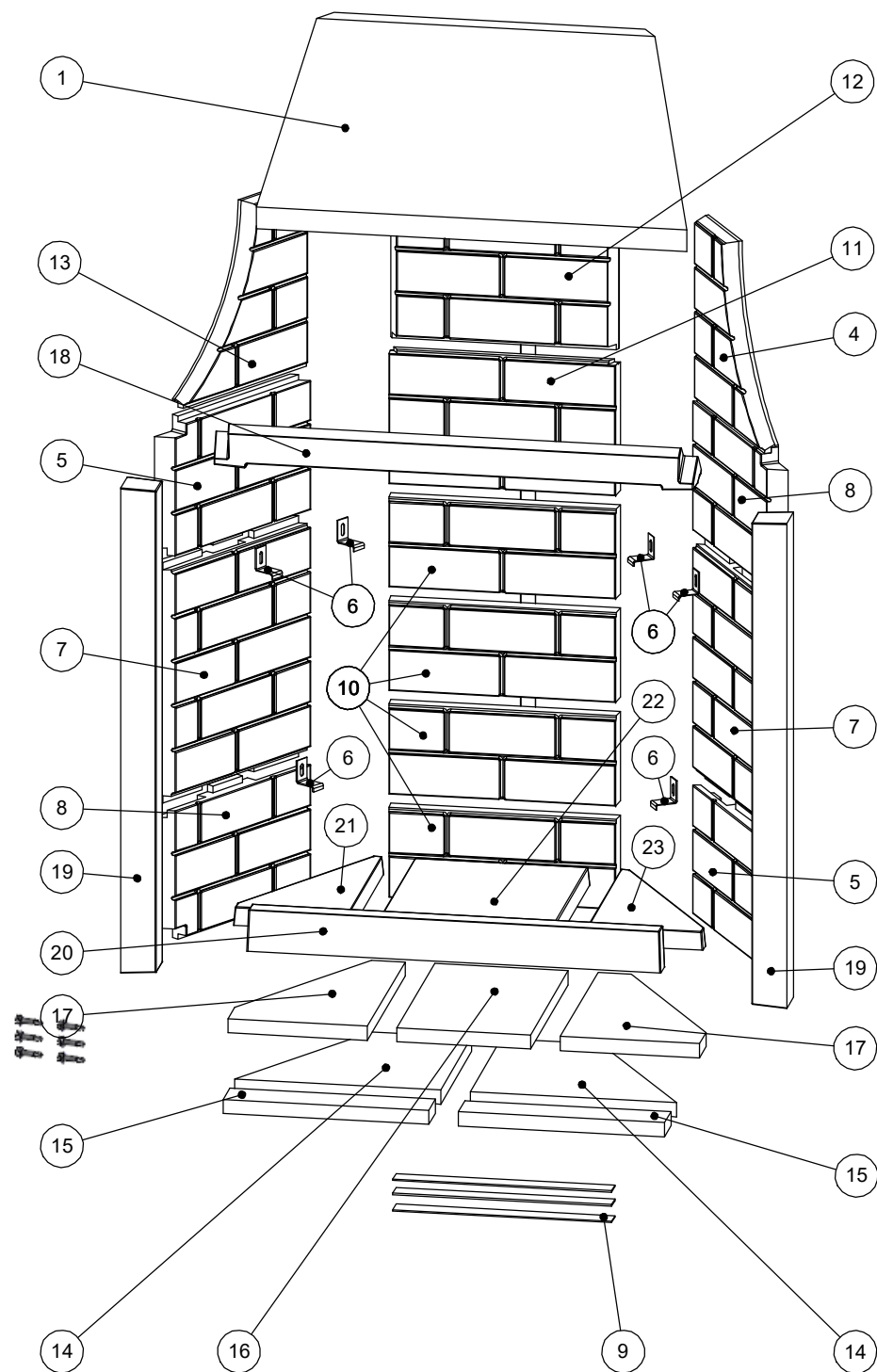


**ER-RA0929**  
Complete Glass Door



#	Code	Qty/Qté
1	ER-RA1109	1
4	ER-RA1130	1
5	ER-RA1131	2
6	ER-RA1132	6
7	ER-RA1133	2
8	ER-RA1134	2
9	ER-RA1135	3
10	ER-RA1136	4
11	ER-RA1137	1
12	ER-RA1138	1
13	ER-RA1139	1
14	ER-RA1128	2
15	ER-RA1127	2
16	ER-RA1140	1
17	ER-RA1141	2
18	ER-RA1142	1
19	ER-RA1143	2
20	ER-RA1144	1
21	ER-RA1145	1
22	ER-RA1146	1
23	ER-RA1147	1

EO-RB1000B  
Refractory Bricks Assembly (Cement)



#	Code	Qty/Qté
1	ER-RA1109	1
3	ER-RA1122	1
4	ER-RA1121	1
5	ER-RA1120	1
6	ER-RA1119	1
7	ER-RA1118	1
8	ER-RA1124	1
9	ER-RA1123	1
10	ER-RA1103	1
11	ER-RA1107	1
12	ER-RA1108	1
13	ER-RA1128	2
14	ER-RA1127	2
15	ER-RA1102	1
16	ER-RA1126	2
17	ER-RA1125	1
18	ER-RA1151	2
19	ER-RA1150	2

EO-VP1000  
Refractory Bricks Assembly (Vermiculite)

