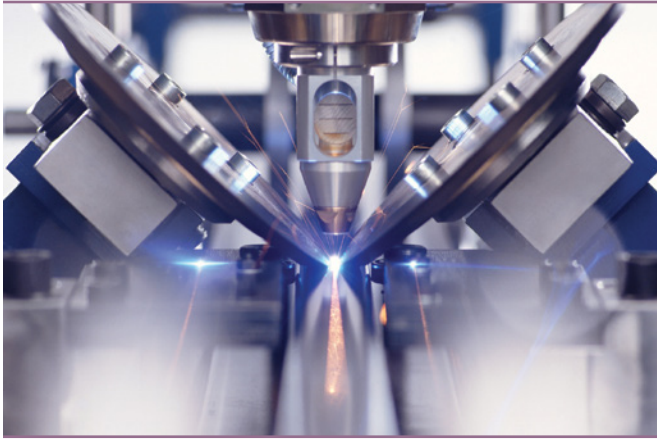


# EXCELPrime

PREMIUM SINGLE WALL STOVE PIPE TO CONNECT WOOD, OIL  
OR GAS APPLIANCES TO MASONRY OR METAL CHIMNEY

## Every length of EXCELPrime is welded by sophisticated laser equipment

Our EXCELPrime is a laser welded premium single wall smoke pipe. It has smooth, clean lines and fits most stoves easily, including cast iron stoves with oval collars. Unlike snap-lock stove pipe, installation of EXCELPrime is easy and inspires confidence in the product. Our unique shrunken couplings and pre-drilled holes make it a pleasure to work with and to look at. Screws are included with every part and no cutting is required.



Laser welded seams.

Scratch resistant  
heavy wall, 24ga  
satincoat steel.

Certified for  
18" clearance to  
combustible in all  
diameters.

Certified heat shields  
can reduce clearance  
to 4" from shielding.

Easy touch up, flat black  
*Stove Bright* paint.

5 year, no questions asked  
replacement warranty.



# EXCELPrime

PREMIUM SINGLE WALL STOVE PIPE TO CONNECT WOOD, OIL  
OR GAS APPLIANCES TO MASONRY OR METAL CHIMNEY

## The Only Stove Pipe Listed For 4" Clearance with Shielding

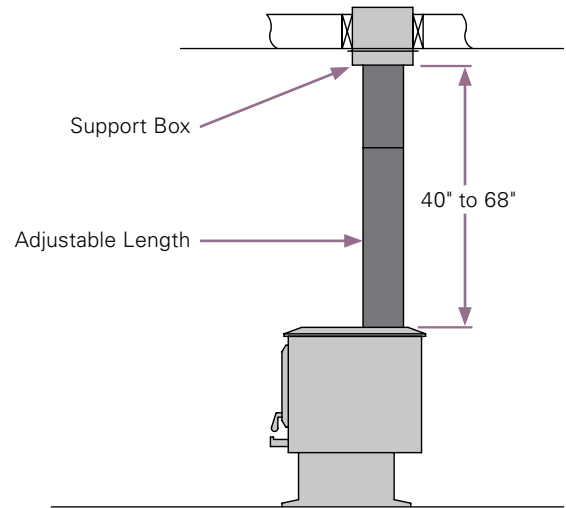
EXCELPrime is there for you when the expected turns unexpected. Managing tight awkward spaces is a common problem especially when refurbishing a new appliance with an existing masonry or metal chimney. With EXCELPrime UL Listed Heat Shields, clearance to combustibles can be reduced from 18" to 4" from the exterior of the shield for 6" diameter EXCELPrime. For 7" and 8" diameter EXCELPrime clearance is reduced to 6". This makes EXCELPrime the stove pipe with the closest clearance of any product on the market.



**SLIP  
ELBOW 90°**  
(SW90S)

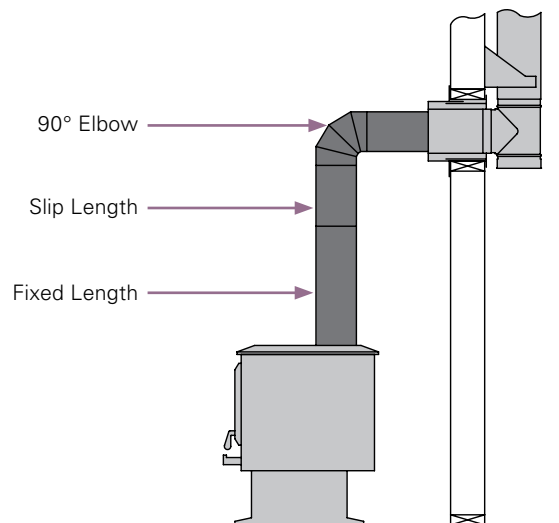
**CLEAN OUT  
ELBOW 90°**  
(SW90C)

**ADJUSTABLE  
ELBOW 90°**  
(SWA90)



### STRAIGHT UP INSTALLATION

A typical straight up installation requires one part, an adjustable length (SWA). The SWA adjusts to allow for an overall length of 40" to 68".



### 90° ELBOW INSTALLATION

For a typical 90° elbow installation you will require an elbow, (SW90), and an adjustable length (SWA). If the height from the top of the stove to the top of the elbow is less than 48", you will require a short length (SW) plus a slip section (SWS) for the vertical section of the connector instead of the adjustable length (SWA).