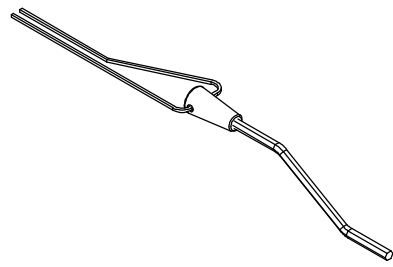
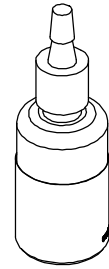


ER-RA0923
Guillotine Door Removable Handle

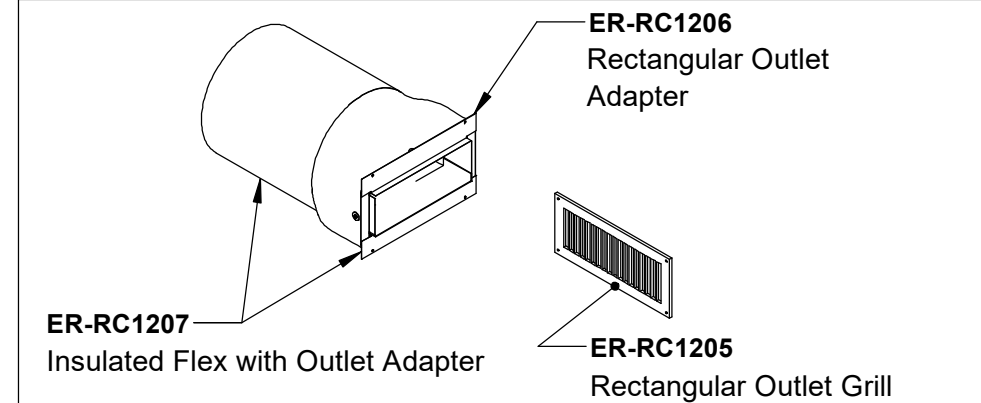
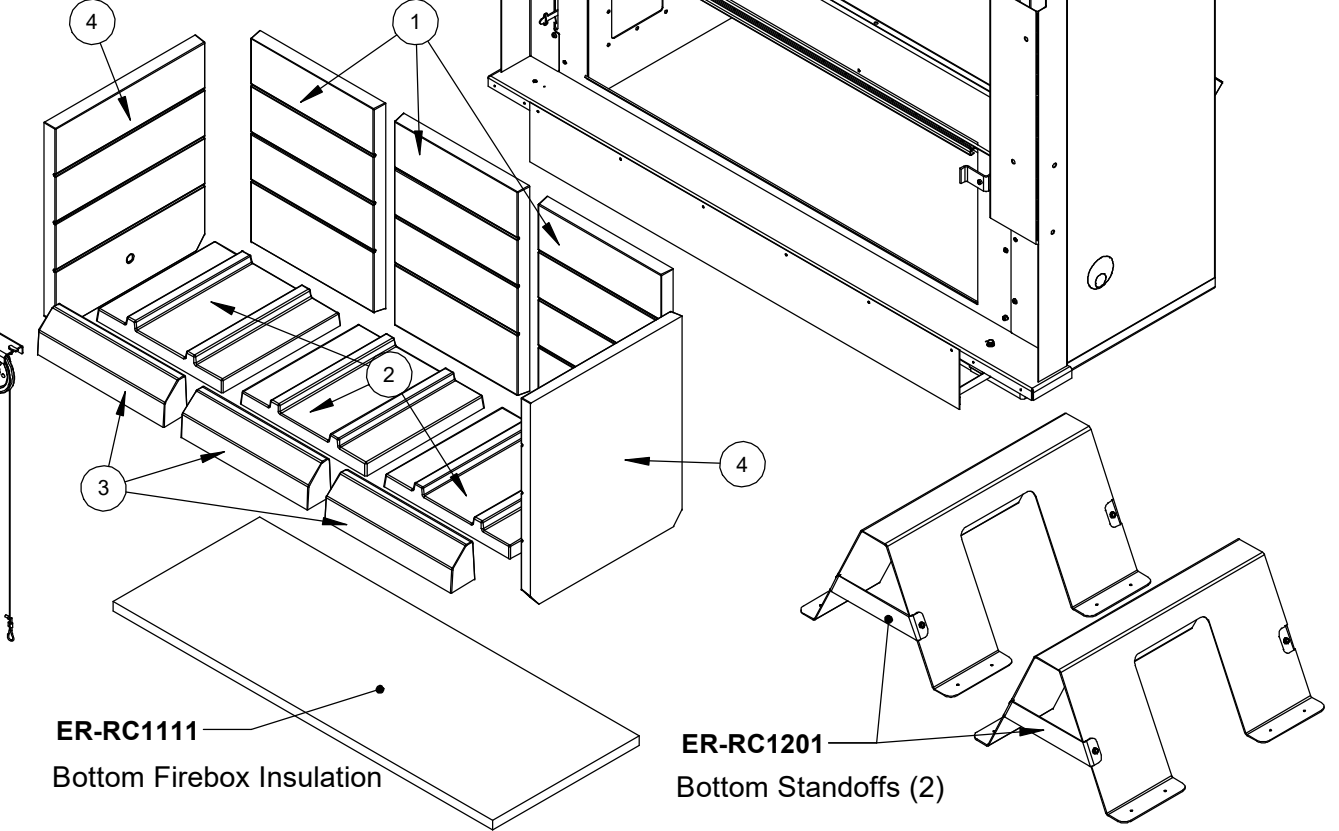
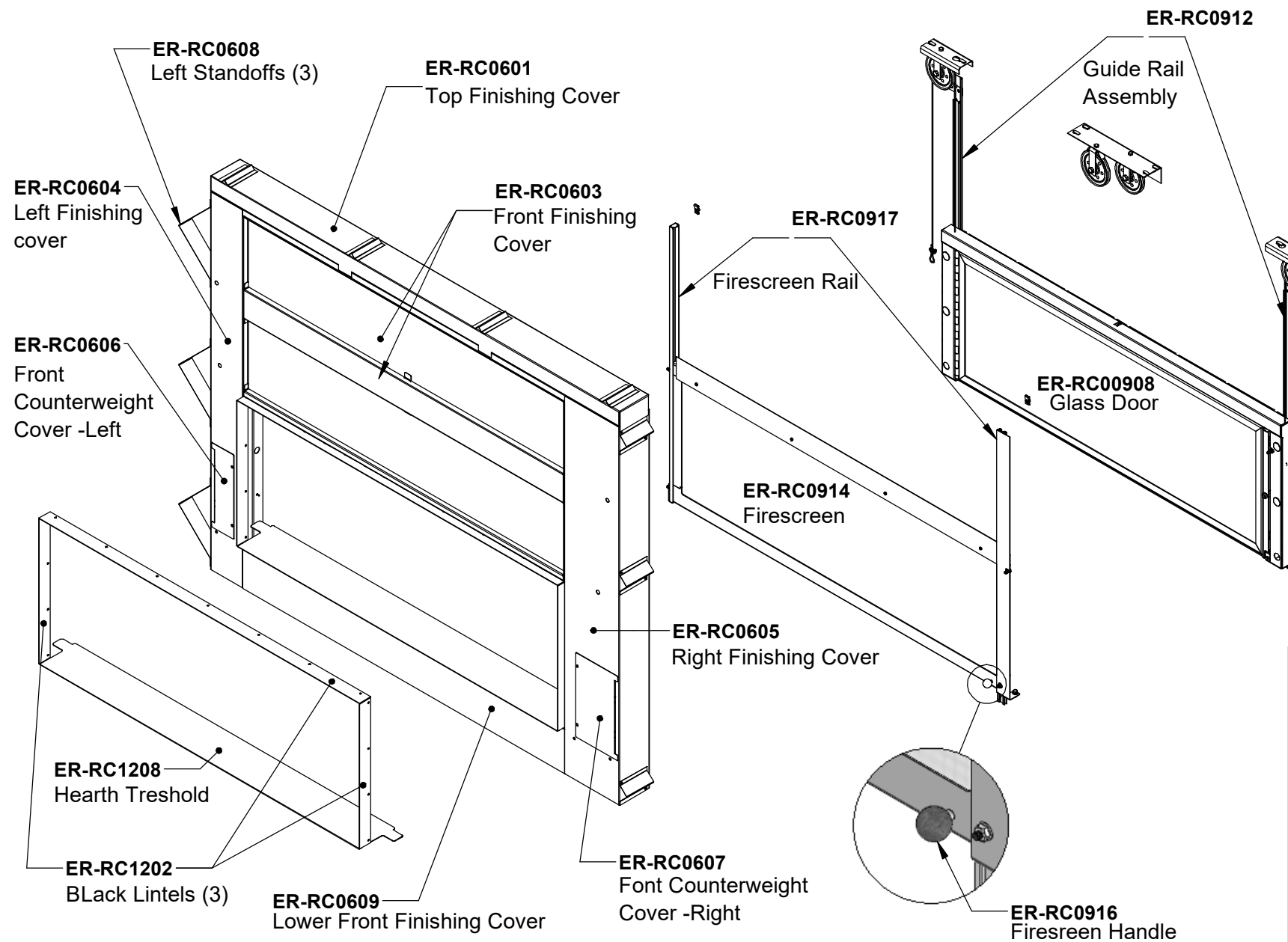
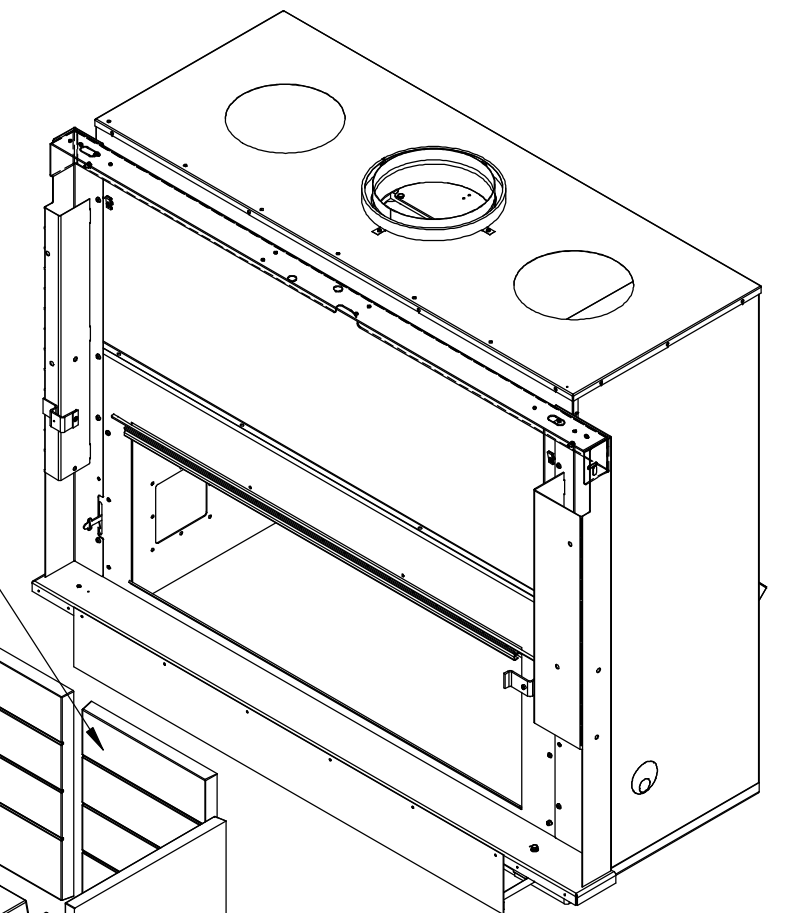


FR-14.17.85
High Temperature Grease



ER-RC1101
Refractory Bricks Assembly

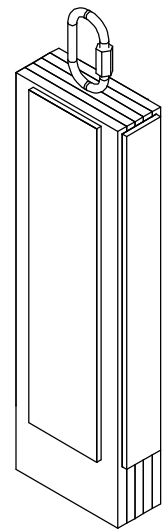
#	Code	Qty / Qtée
1	ER-RC1102	3
2	ER-RC1103	3
3	ER-RC1104	3
4	ER-RC1105	2



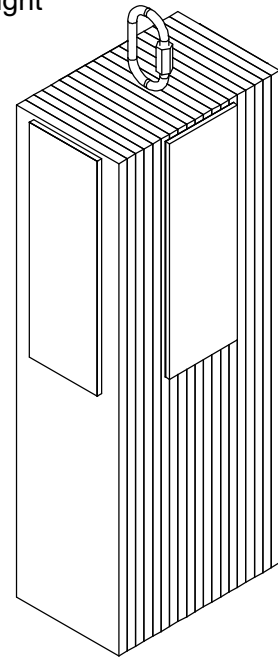
LINEAR 50



ER-RC0938
Firescreen
Counterweight



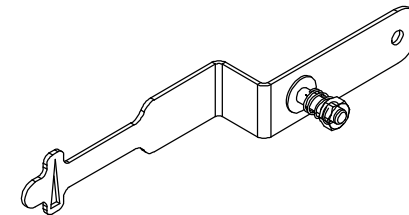
ER-RC0901
Door Counterweight



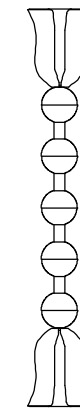
ER-RC0902
Counterweight Cable



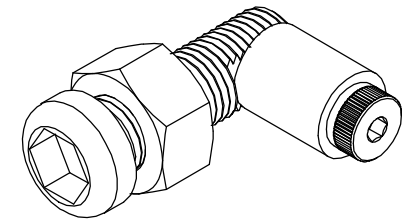
ER-RC0501
Outside Air Control



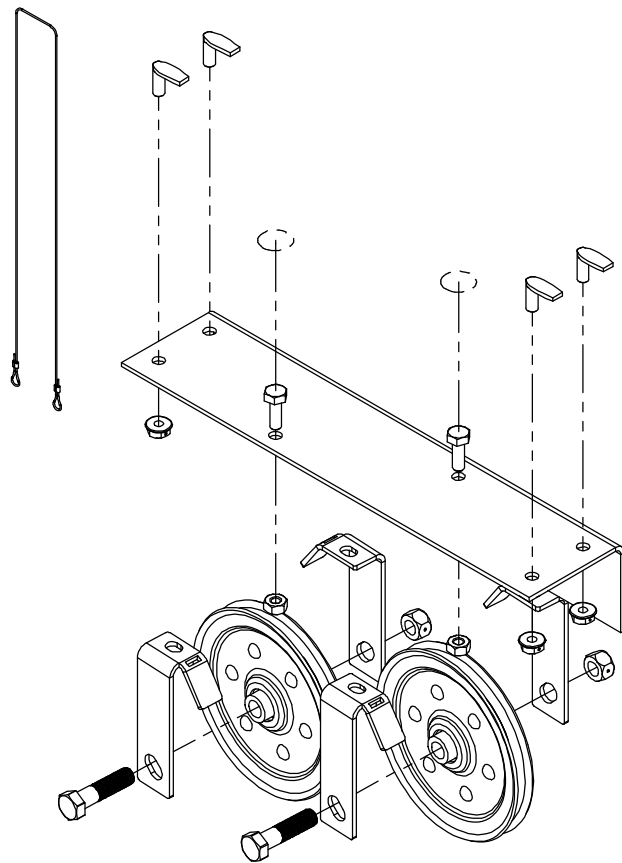
ER-RC0502
Outside Air Control Chain



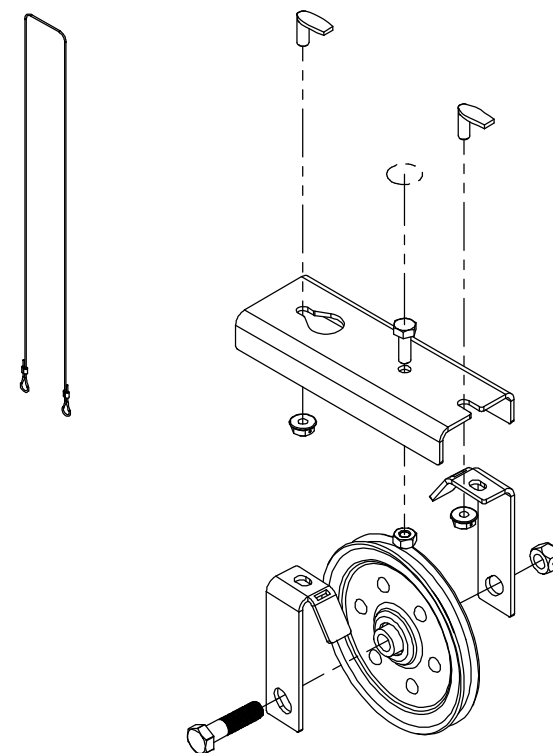
ER-RA0928
Glass Door Latch



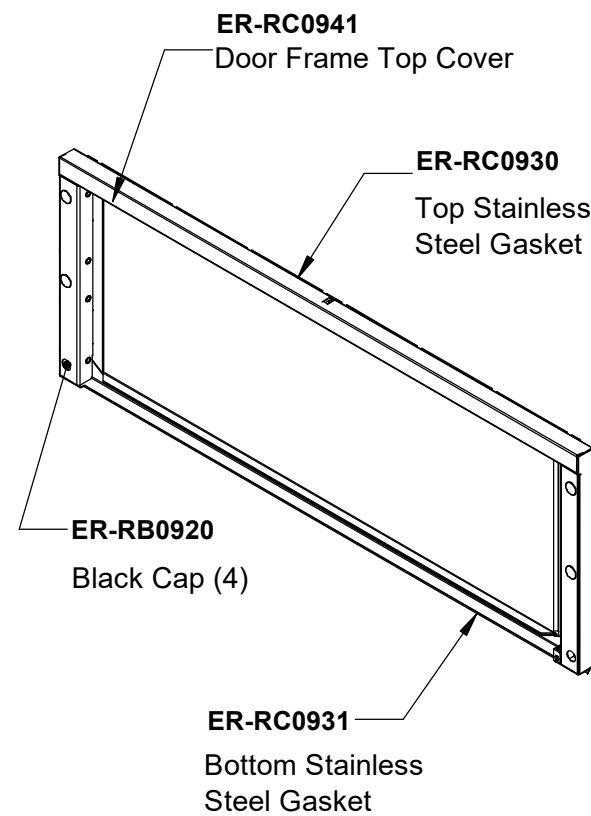
ER-RC0922
Center Pulley Support and Cable



ER-RC0921
Left or Right Pulley Support and Cable



ER-RC0911
Guillotine Door Frame



ER-RC0908
Complete Glass Door

