



FO-HB9

Internal Blower

ATTENTION: This fan kit should be installed by a qualified installer.

DO NOT install this blower in fireplaces that are “Clean Face”, making the lower louver area inaccessible after installation.

All wiring must comply with local ordinances and the National Electrical Code.

WARNING: Prior to installing the blower, ensure all power to the fireplace is disconnected and that the breaker is shut off.

The internal blower kit will increase the circulation of heated air in the room where the fireplace is installed.

If you desire to distribute the heat in different rooms, please refer to central heating and zone heating kits (FO-FDHB6-1, FO-FDHC6, FO-FDHCZ1 and FO-FDHCZ2).

This blower kit includes:

- Blower Assembly
- Thermal Switch Assembly
- Variable Speed Switch
- Wiring
- Instructions

Powering the blower: Electrician Required

Power must be brought to the fireplace for the blower to operate.

OPTION 1: THREE PRONG PLUG INSTALLATION

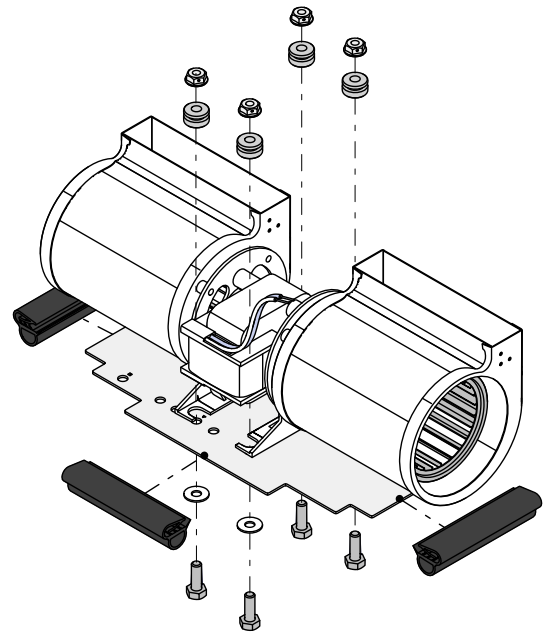
The three-prong plug setup is best for new installations where the internal blower is the only option that will require electricity.

1. An electrical junction box with a three-prong plug outlet should be installed in the bottom of the fireplace by a certified electrician in an accessible location.
2. Ensure no wires contact the firebox.

OPTION 2: TERMINAL BLOCK INSTALLATION

The terminal block setup is best for replacing existing blowers that are already wired through the terminal block or for systems that will utilize the terminal block to power multiple options. For example, systems combining the Internal Blower with Central Heating Blower (FO-FDHB6-1) and Central Heating Control (FO-FDHC6). There is no terminal block in the Pearl 3600 or Focus 3600 fireplaces.

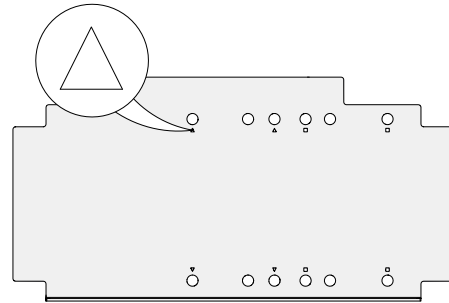
1. Have a certified electrician connect terminals 5 and 6 of the terminal block to a 120V circuit with 14/2 wiring. Do not forget to attach the ground wire to the fireplace ground screw which is next to the terminal block.
2. Ensure no wires contact the firebox.



Assembly of the Internal Blower

- The Internal Blower is pre-assembled to a universal mounting plate in the ▲ position. Refer to the chart below for your fireplace. If the mounting plate is in the correct position for your fireplace, proceed to “Installation of the Internal Blower”.

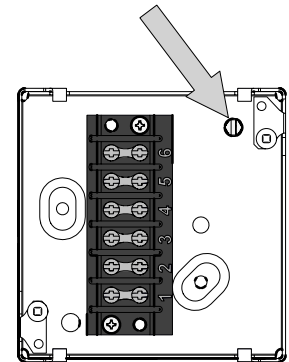
Symbol	Fireplace
▲	Opel (all versions), Focus SBR, Delta Fusion, Focus 320, Onyx, Delta
■	Pearl 3600, Pearl, Topaz, Chameleon
	Focus 3600



- If changing the position of the universal mounting plate is necessary, first verify whether it fits through the opening in the fireplace with the mounting plate attached. Some fireplaces require the mounting plate to be removed for the blower to fit through the opening in the fireplace.
- Remove the mounting plate. If the blower must be inserted before installing the mounting plate, insert the blower into the fireplace now (without the mounting plate). If not, proceed to step 4.
- Re-install the mounting plate in the location of the four matching holes corresponding to your fireplace. Use the nuts, washers, rubber pads, and bolts provided. Use the illustration on the previous page for the correct orientation and assembly.

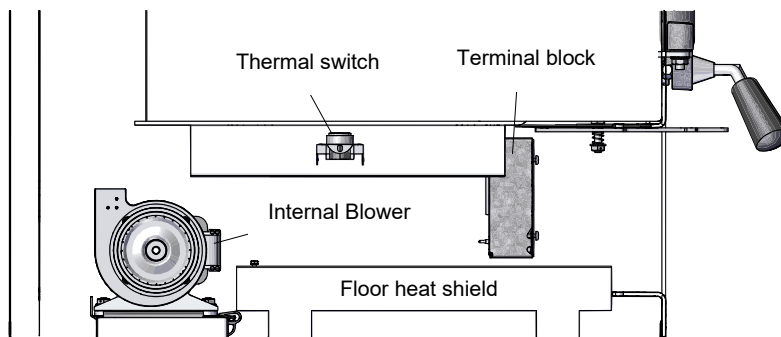
Installation of the Internal Blower

- Remove the bottom louver of the fireplace. If your fireplace has a magnetic bracket located on the right side of the bottom louver opening, remove the magnetic bracket. If your fireplace is equipped with an ash pan: remove the ash pan plug, ash pan and the ash pan support by unscrewing the screw located at the back of the support.
- Some fireplaces have a floor heat shield that must be removed before the blower can be installed (except Delta; see below). To remove the floor heat shield it may be necessary to remove the fireplace terminal block (electrical box). One screw holds the terminal block in place (right). Remove it temporarily.
- Follow the step below for your fireplace:



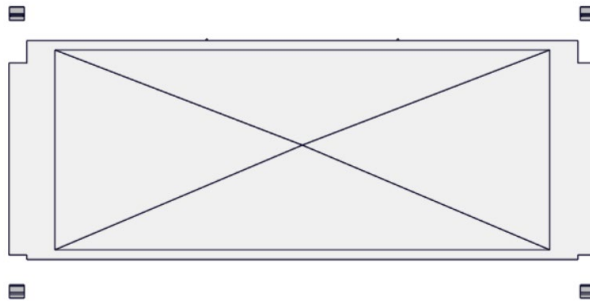
Opel (all models), Focus 320, Onyx

Pass the blower through the bottom louver opening and push the blower to the back of the fireplace. Center the mounting plate between the two brackets and face the air outlet upwards. See below.



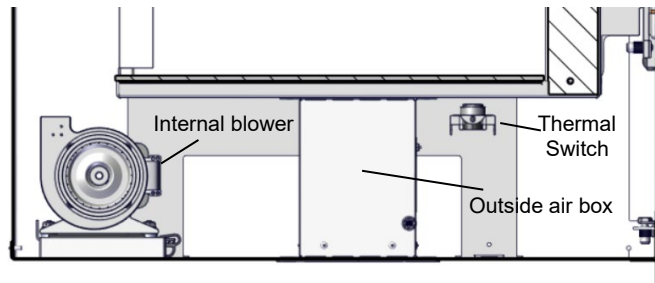
Focus SBR

An upper heat shield located directly under the firebox must be removed before the blower can be inserted. It is held in place with four c-clips. Remove the four clips and then remove the upper heat shield (see below). A flat screwdriver may help with removal of the c-clips. Once removed, insert the blower through the bottom louver opening and push it to be back of the firebox. Center the mounting plate between the two brackets and face the air outlet upwards. **Make sure to re-install the upper heat shield.**



Pearl 3600, Focus 3600

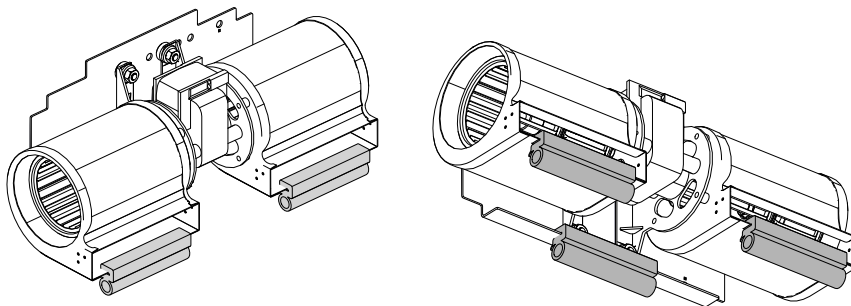
Insert the blower into the bottom louver and move it to the back of the firebox. It must pass around the right side of the outside air box which is centered in the bottom of the fireplace. Do not remove the outside air box. Center the mounting plate between the two brackets and face the air outlet upwards. The thermal switch should be placed on the inside of the one for the fireplace legs, 1/8" from the firebox. See below.

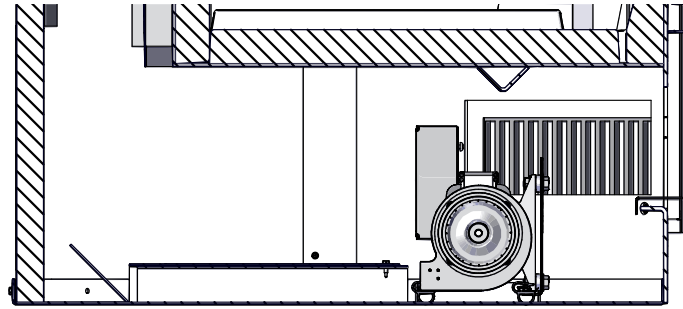


Delta Fusion

The floor shield is made of two parts. Both parts are screwed together and factory installed to cover the entire floor below the firebox. Before installing the internal blower, the floor shield must be modified. Remove the screw and overlap the front section with the back section. Put the modified floor shield back into the bottom of the fireplace against the back. If you ever remove the blower make sure to extend the shield again.

Remove the vibration rubber dampers from the mounting plate and reinstall them on the blower openings (right). Install the blower inside the lower louver opening with the blower outlet facing the rear of the fireplace. Center the blower in the middle of the fireplace, with the blower outlet facing the back of the unit.





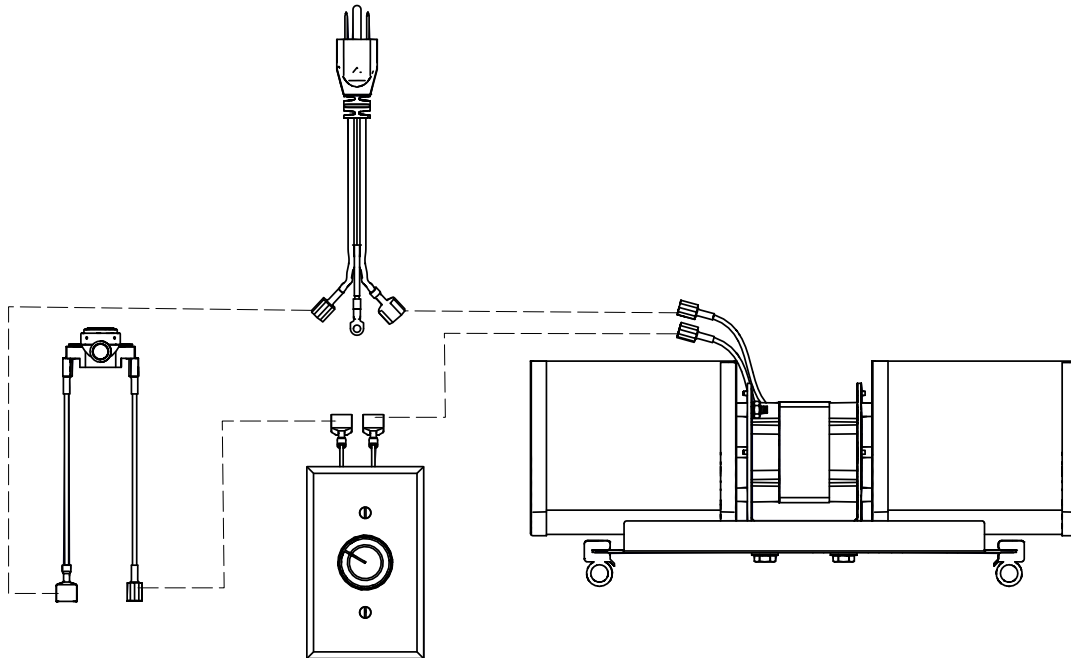
4. Replace the floor shield (except Delta). For the **Focus SBR, Opel (all versions), Focus 320, Onyx2**: the floor shield is made of two parts. Once the internal blower is installed, the floor shield must be modified. Remove the screw and overlap the front section with the back section. If you ever remove the blower make sure to extend the shield again.
5. Reinstall the magnetic bracket for the bottom louver, if necessary.
6. Replace the ash pan support, the ash pan and the ash pan plug, if necessary.

Installation of the thermal switch

Install the thermal switch, which is a heat activated switch that will turn your blower on and off as the fireplace heats or cools. **Placement is important.** Place the thermal switch to the inner right leg or outside air box below the firebox. Space the switch 1/8" from the fireplace bottom, the magnet will hold the thermal switch in place. If the fireplace is equipped with an ash pan, make sure that it is still possible to remove the ash pan once the thermal switch is installed.

Wiring for three-prong plug installation

Connect the wiring as shown below.



Wiring for terminal block installation

Connect the wiring as shown below.

