



ICC INDUSTRIAL CHIMNEY COMPANY INC.
ST-JÉRÔME, QUÉBEC, CANADA, J7Y 4B7
TEL: (450) 565-6336 • FAX: (450)565-6519

INSTALLATION AND OPERATION INSTRUCTIONS

APD

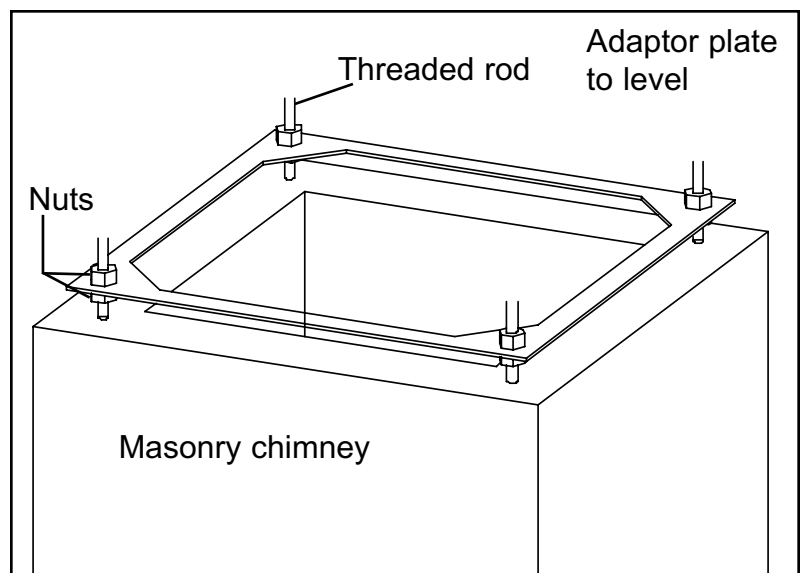
Anchor Plate Damper

The anchor plate damper combines a heavy gauge stainless steel damper with the transition from a masonry fireplace to an RIS metal chimney. When you latch the damper closed (pull it down) it will virtually eliminate the flow of warm air up the chimney. The damper is counter-balanced and will open by itself when you un-latch the damper chain.

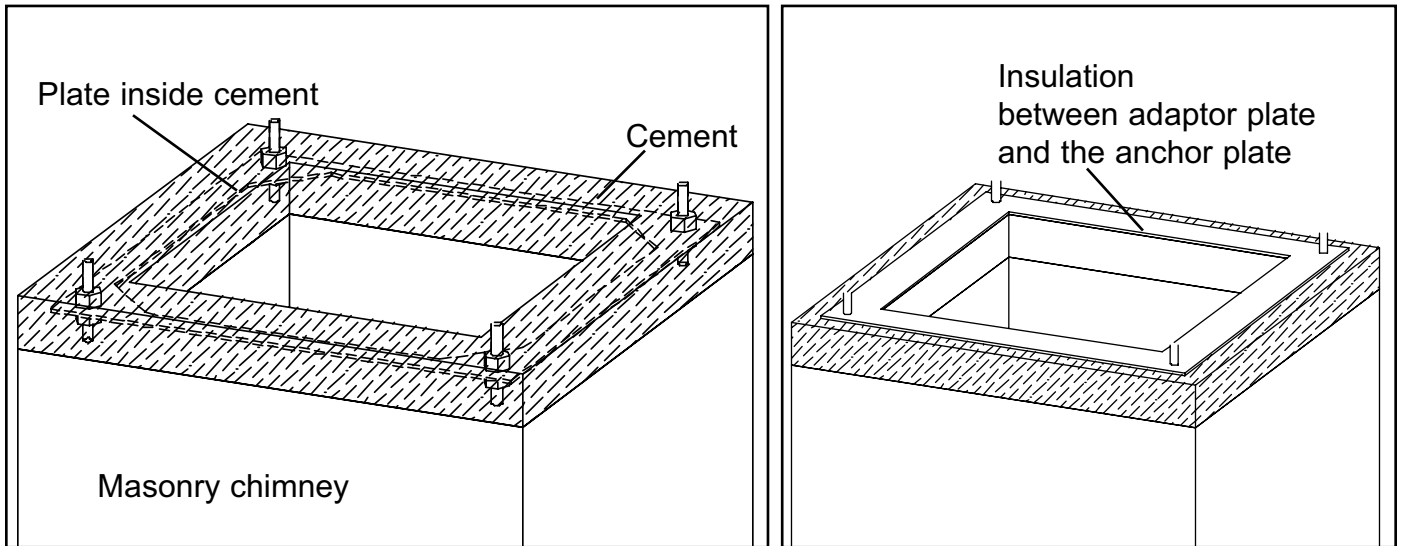
IMPORTANT : DO NOT CLOSE THE DAMPER WHILE THE FIREPLACE IS BURNING AS IT MAY CAUSE A SMOKE TO FLOW OUT OF THE FIREPLACE INTO THE HOME. THIS CAN CAUSE SERIOUS SMOKE DAMAGE TO THE HOME AND EXPOSE YOU TO DANGEROUS GASES

Installation steps

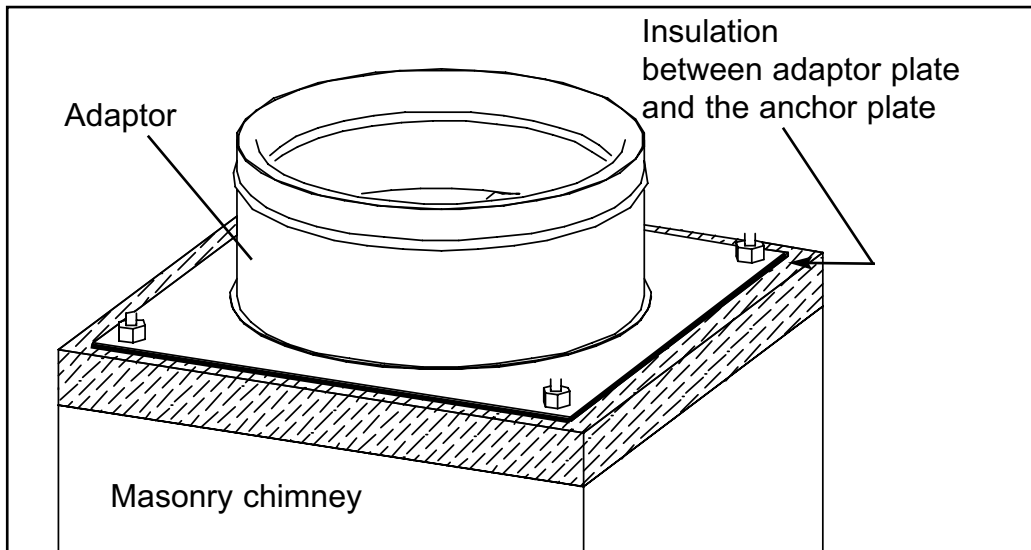
1. Install the four 5/16" threaded rods on the adapter plate (ADP-1) using eight of the nuts provided (one on top of the adapter plate, the other one beneath, for each rod). Ensure that the adapter plate will be level once the masonry has set and that the plate sits at least $\frac{3}{4}$ " above the existing masonry surface. This will help facilitate a strong bond to the existing fireplace or chimney. We recommend a minimum masonry thickness of 1" above the adapter plate, plus $\frac{3}{4}$ " below. Ensure that the threaded rods are long enough to fasten the anchor plate damper once the masonry has been poured.



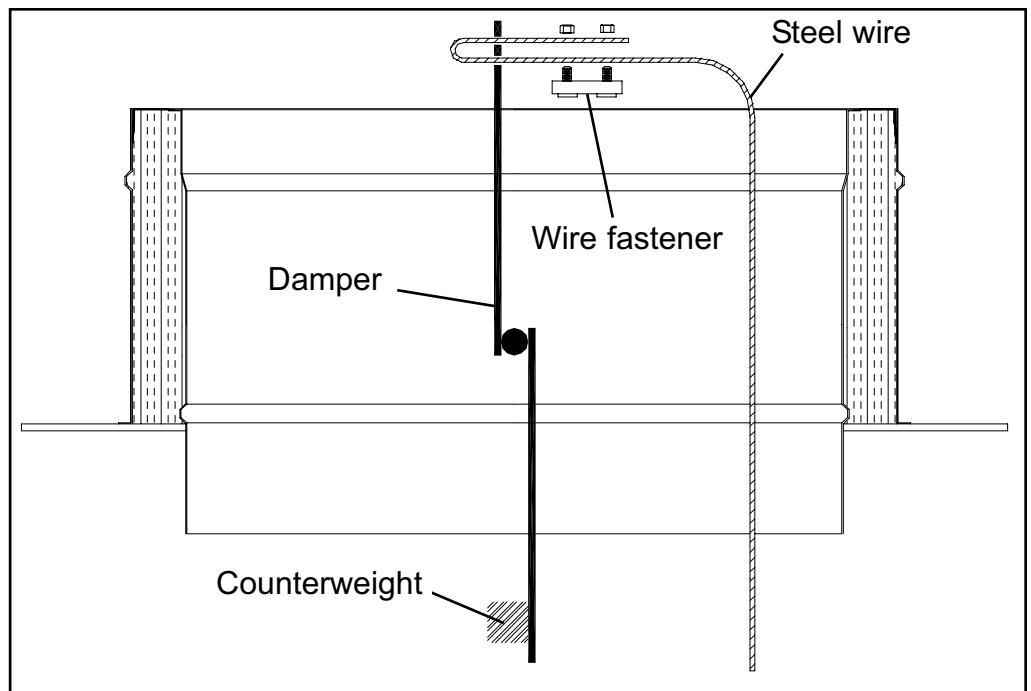
2. Pour the masonry on the top of the adapter plate. Make sure the adapter plate it is kept level and well centered with the chimney until the masonry has set.



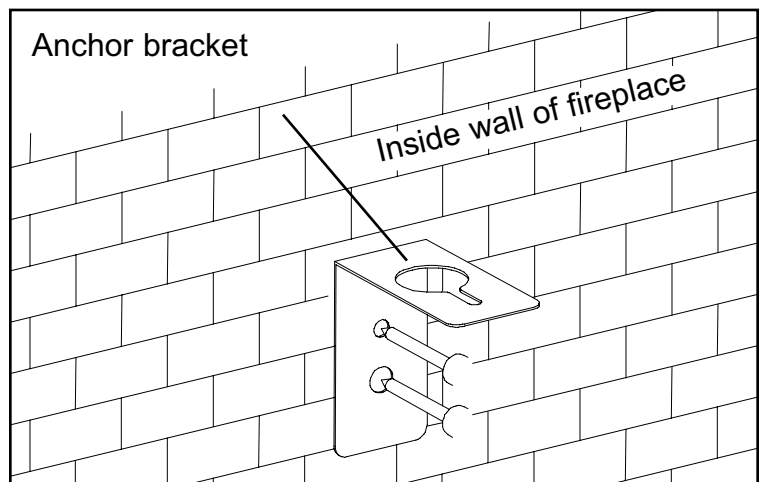
3. You can install the anchor plate damper once the masonry is dry. Place the insulation pad provided over the protruding bolts making sure the hole in the pad is centered. Place the anchor plate damper over the bolts and the insulation pad. Tighten the bolts to fasten the anchor plate damper in place. Make sure the bolts are tight enough to firmly compress the insulation pad.



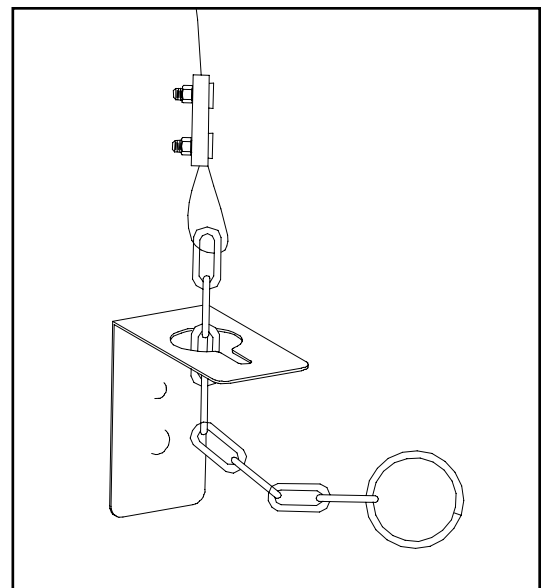
4. Fasten one end of the stainless steel wire as shown.



5. Install the anchor bracket in a convenient place close to the fireplace opening, preferably a location which will not get too hot.



6. Using the wire fastener provided fix the chain and ring to the stainless steel wire. Adjust the wire length to ensure that the chain locks firmly into the slot in the bracket when you close the damper.





AP DAMPER INSTALLATION

