



# TM-ØHTS

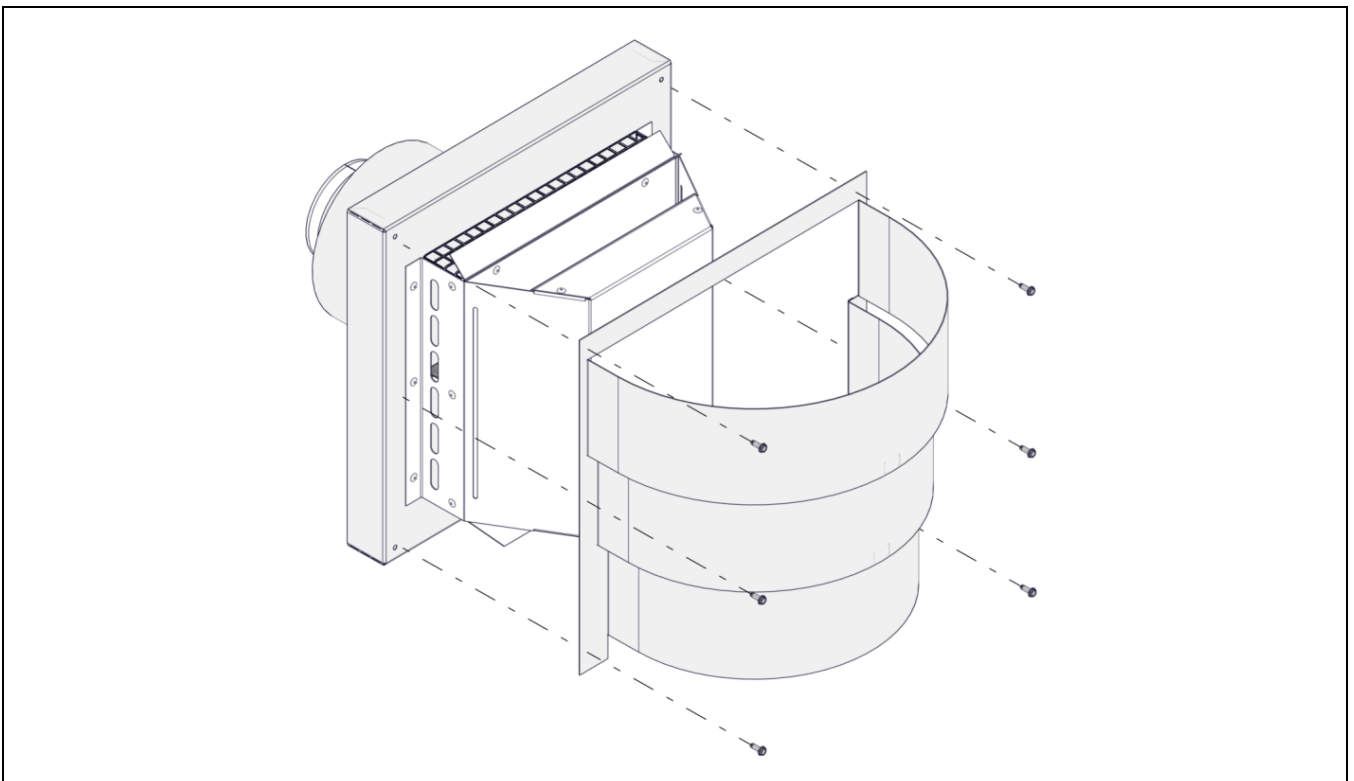
## Wind/Heat Shield for EXCELDirect Horizontal Termination

The HTS Wind/Heat Shield is designed for EXCELDirect Horizontal Terminations. The HTS improves cap performance in high wind and provides a safety barrier from heat buildup on the exterior of the cap. The HTS is required by some direct vent appliance manufacturers.

The HTS is made of galvalume steel and can be painted with high temperature paint to provide a more decorative finish.

### INSTALLATION

1. Align the outer edges of the HTS with the outer edges of the horizontal termination.
2. Screw the HTS to the termination using the self tapping screws provided.



#	Description	Qty Qté	✓
1	HTS Wind and Heat Shield <i>HTS Pare-vent et écran thermique</i>	1	
2	Bag containing 3 screws     ¼" - #8 x ½", Hex Sac avec 3 vis	(901009) 2	

INITIALS / INITIALES