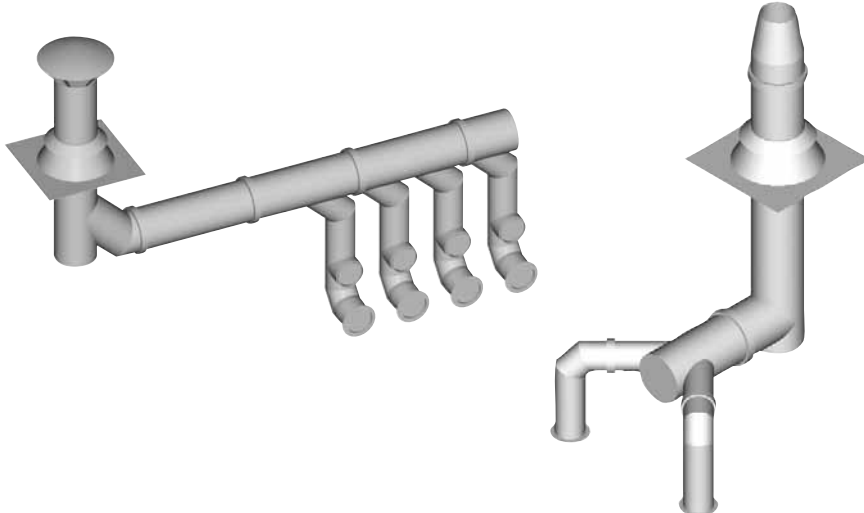


VIP

Industrial & Commercial Pressure Chimney



www.icc-rsf.com

Smoke stacks for gas, oil, diesel 6" to 36"

TECHNICAL SPECIFICATION

MATERIALS

Flue / Casing 304/304 - 304/Galvalume - 316/304 - 316/316

INSULATION HIGH TEMPERATURE MINERAL WOOL



ALLOWABLE GAS TEMPERATURE

Maximum Continuous	1000°F (540° C)	1400°F (760° C)
Brief Force Firing	1400°F (760° C)	1700°F (927° C)
Tested to	1700°F (927° C)	1800°F (980° C)

LISTING

CANADA



CHIMNEY SIZE 6" - 48"
O. R. DOCUMENT ULC-C-959-RD-87
ULC LISTING # CMH 1428

USA



USA CHIMNEY SIZE 6" - 36"
STANDARD UL-103
UL-LISTING # MH-16722
VIP is listed to the UL 103 Standard.
It is not pressure listed to UL 103.

CHIMNEY SIZE	(in)	6	8	10	12	14	16	18	20	22	24	26
OUTSIDE DIAMETER (S.S. 304 / S.S. 304)	(in)	8	10	12	14	16	18	20	22	24	26	28
WEIGHT	(lb/ft)	4,3	5,5	6,5	7,5	8,8	11	13,8	15	16,5	17,8	19,3
MATERIAL THICKNESS	flue (in)	0,018	0,018	0,018	0,018	0,018	0,018	0,025	0,025	0,025	0,025	0,025
	casing (in)	0,018	0,018	0,018	0,018	0,018	0,025	0,025	0,025	0,025	0,025	0,025
MAXIMUM HEIGHT												
BASE SUPPORT	(ft)	186	146	120	102	89	78	70	64	58	53	49
WALL SUPPORT	(ft)	150	118	97	82	72	63	57	51	47	43	40
INSULATED TEE	(ft)	82	65	53	45	39	35	31	28	26	23	22
MINIMUM HOLE SIZE												
NON COMBUSTIBLES	(in)	9	11	13	15	17	19	21	23	25	27	29
COMBUSTIBLES												
1000° F FLUE GAS												
CLEARANCE	(in)	2	2	2	2	2	2	2	2	2	4	5
HOLE SIZE	(in)	12	14	16	18	20	22	24	26	28	32	38
1400° F FLUE GAS												
CLEARANCE	(in)	2	2	2	2	4	5	6	6	7	7	7
HOLE SIZE	(in)	12	14	16	18	24	28	32	34	38	40	42
CHIMNEY SIZE	(in)	28	30	32	34	36	38	40	42	44	46	48
OUTSIDE DIAMETER (S.S. 304 / S.S. 304)	(in)	30	32	34	36	38	40	42	44	46	48	50
WEIGHT	(lb/ft)	20,5	29	30,8	32,9	34,7	36,6	38,4	40,3	42,2	44	46
MATERIAL THICKNESS	flue (in)	0,025	0,035	0,035	0,035	0,035	0,035	0,035	0,035	0,035	0,035	0,035
	casing (in)	0,025	0,035	0,035	0,035	0,035	0,035	0,035	0,035	0,035	0,035	0,035
MAXIMUM HEIGHT												
SUPPORT (PSU,SB)	(ft)	46	43	40	38	36	34	33	31	30	28	27
WALL SUPPORT (SW)	(ft)	37	35	33	31	29	28	26	25	24	23	22
INSULATED TEE (PTI)	(ft)	20	19	18	17	16	15	14	13	13	12	12
MINIMUM HOLE SIZE												
NON COMBUSTIBLES	(in)	31	33	35	37	39	41	43	45	47	49	51
COMBUSTIBLES												
1000° F FLUE GAS												
CLEARANCE	(in)	5	6	6	7	7	8	8	8	8	8	8
HOLE SIZE	(in)	40	44	46	50	52	56	58	60	62	64	66
1400° F FLUE GAS												
CLEARANCE	(in)	7	7	7	7	7	8	8	8	8	8	8
HOLE SIZE	(in)	44	46	48	50	52	56	58	60	62	64	66