

EXCEL ULTRABlack FS

6" Clearance Connector

INSTALLATION AND MAINTENANCE INSTRUCTIONS

A MAJOR CAUSE OF CHIMNEY RELATED FIRES IS FAILURE TO MAINTAIN REQUIRED CLEARANCES (AIR SPACE) TO COMBUSTIBLE MATERIALS. IT IS OF UTMOST IMPORTANCE THAT THIS CONNECTOR BE INSTALLED ONLY IN ACCORDANCE WITH THESE INSTRUCTIONS.

Allowable Flue Gas Temperatures

Maximum Continuous	1200°F	650°C
Brief Forced Firing	1700°F	925°C
Tested To	2100°F	1150°C

ULTRABlack is designed to be used as a connector between a freestanding oil, wood or coal burning stove or furnace and a masonry or metal chimney.

Contact local building or fire officials about local restrictions and inspection requirements in your area.

Always follow the wood burning stove manufacturer's installation instructions. On some close clearance stoves the heat generated by the stove *independent of the connector system* is sufficient to require additional clearance. Refer to the appliance or stove installation manual for connector clearances. Certain applications, such as mobile homes, may require clearances greater than 6 inches.

Keep these installation and operating instructions in a safe location for future reference.

ULTRABlack has been tested and listed by
Intertek Testing Services as per Standard ULC-S641
ETL Listing #4005717



ICC INDUSTRIAL CHIMNEY COMPANY INC.

400 J-F KENNEDY, ST. JEROME

QUEBEC, CANADA, J7Y 4B7

Tel.: 450 565-6336 fax: 450 565-6519

www.icc-rsf.com

WOOD BURNING - CREOSOTE FORMATION AND NEED FOR REMOVAL

When wood is burned slowly, it produces tar and other organic vapours, which combine with expelled moisture to form creosote. The creosote vapours condense in the relatively cool chimney flue of a slow-burning fire. As a result, creosote residue accumulates in the flue and connector pipe. If or when ignited this creosote makes an extremely hot fire.

COAL BURNING – SULPHUR DEPOSITS

Some types of coal contain large quantities of Sulphur (up to 7%). When coal is burned, Sulphur and coal ash are deposited in the chimney flue and connector pipe. When combined with moisture, this deposit forms a highly corrosive acid (Sulphuric Acid). In order to protect your chimney, we recommend that you:

1. Burn only low Sulphur coals (less than 1% Sulphur).
2. Have your chimney cleaned within 48 hours of shutting down your stove at the end of the heating season. Be certain that all the soot is removed.

WOOD AND COAL STOVES

If you are planning to install a wood or coal stove:

1. Choose a stove labelled by a recognized Testing Laboratory (such as UL, CSA, WH and ULC). The EPA approved, low emissions stoves are highly recommended.
2. Connect only one solid fuel burning appliance to a chimney. Do not connect an oil or gas burning appliance to a chimney venting a solid fuel burning appliance.
3. Never over fire your stove. High temperatures caused by over firing can permanently damage the stove, the UB pipe, and may damage combustible walls and furniture. If any part of the stove or connector pipe is glowing red, then you are over firing. Immediately close the stove's air control and flue damper (if present) until the system cools.
4. Install the stove and connector pipe as described in the Installation Instructions accompanying the stove. **BE CERTAIN TO MAINTAIN THE REQUIRED CLEARANCES TO COMBUSTIBLES.**
5. Keep your flue gases between 300° and 500°F. This will maximize efficiency while minimizing condensation and creosote formation.
6. Do not burn sea driftwood or treated lumber. Both are highly corrosive to all types of stainless steel.

OPERATION AND MAINTENANCE

KEEP YOUR CHIMNEY CLEAN. Wood stoves can quickly create large deposits of creosote in the chimney. Some wood stoves can create enough creosote in two weeks to cause a chimney fire.

When using a wood stove, we recommend that you:

1. Initially, weekly inspections of the chimney system are necessary to learn how often to clean your chimney.
2. **THE CHIMNEY SHOULD BE INSPECTED AT LEAST ONCE EVERY TWO MONTHS DURING THE HEATING SEASON** to determine if creosote or soot has accumulated. When a maximum of 1/4" of creosote or soot has accumulated, it should be removed to reduce the risk of a chimney fire.
3. Have your chimney cleaned by a qualified chimney sweep. To clean the chimney yourself, use a properly sized nylon or steel brush. Do not use a brush that will scratch the stainless steel interior of the chimney. Use of an oversize brush may damage the chimney.
4. Do not expect chemical chimney cleaners to keep your chimney clean. Their use does not negate the necessity of periodically inspecting and chimney cleaning.

CHIMNEY FIRES

If you are having a chimney fire, follow these steps:

1. Close all appliance doors, air controls and flue dampers.
2. Alert everyone in the building to the possible danger.
3. If you require assistance, alert the fire department.
4. If possible, use a dry chemical fire extinguisher, baking soda or sand to control the fire. **Do not use water** as it may cause a dangerous steam explosion.
5. Watch for smouldering or fire on combustibles next to the stove, connector pipe and chimney. Check outside to ensure that sparks and hot embers exiting the chimney are not igniting the roof.
6. Do not use the stove again until your chimney and ULTRABlack have been inspected by a qualified chimney sweep or a Fire Department Inspector.

INSTALLATION NOTES

- ULTRABlack is used to connect a solid, liquid or gas fuel-fired appliance to a pre-fabricated metal or masonry chimney.
- ULTRABlack is intended for use with cooking, heating and other low-heat appliances.
- A chimney venting a fireplace, a wood burning stove, or an incinerator shall not vent any other appliance.
- The minimum clearance between ULTRABlack and combustible materials is 6 inches.

Always follow the wood burning stove manufacturer's installation instructions. The appliance or stove clearances supersede ULTRABlack clearance and in some cases will dictate increased clearance to combustibles. Certain applications, such as mobile homes, sometimes require clearances greater than 6 inches.

- Do not enclose ULTRABlack.
- The use of a stove pipe probe thermometer can assist with proper operation of your stove. Probe thermometers are acceptable for use with ULTRABlack when installed in accordance with probe thermometer manufacturer's instructions.

If you decide to remove the probe thermometer you will need to replace the section of double wall pipe or permanently seal the opening to prevent smoke or creosote infiltration.

- ULTRABlack is not a chimney. It must not pass through floors, attics, closets, walls or ceilings.
- If you plan to install ULTRABlack into a masonry chimney you should have the chimney checked by a qualified chimney sweep to ensure it is in good condition.
- Although there is no limitation to the total length of ULTRABlack which may be installed in a single system we **recommend a maximum of 20 feet**. It is important to ensure that all sections are solidly fastened together and supported as required.

STRAIGHT UP INSTALLATION

For most straight up installations the only part required is an adjustable length (UBAF). The UBAF adjusts to allow any overall length from 40" to 68".

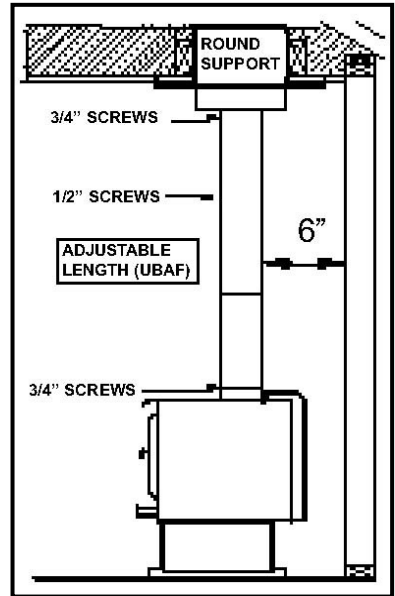
The UBAF is packed in two pieces.

To assemble:

- Place both sections on the floor with the formed ends facing up.
- Pick up the section with the crimped top and slide it down onto the other section. Do not drop the top section or the parts may become stuck together.

UBAF Installation:

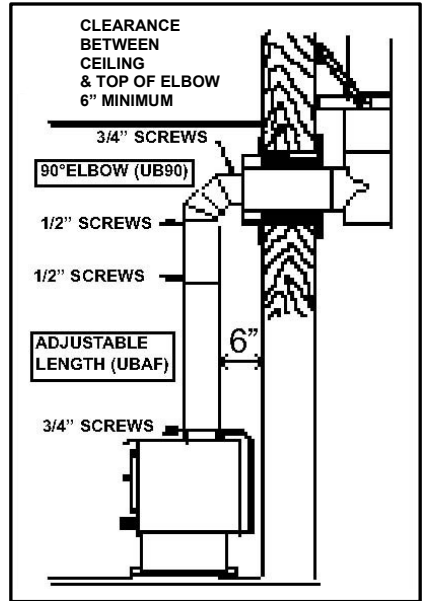
1. Set the adjustable length so that the bottom sits over the flue collar of the stove, in most cases the outer casing will rest on the stove top. Screw through the outer casing into the flue collar with three 3/4" metal screws. The black screws provided are self-tapping and will not normally need a pilot hole for steel stove collars.
2. Slide the top portion of the UBAF up over the flue extension or chimney pipe adapter until it fits flush with the bottom of the ceiling support.
3. Secure the UBAF to the stove pipe adapter with the three 3/4" metal screws provided.
4. Fasten the two sections of the adjustable length together using the three 1/2" metal screws provided.
5. If you require additional height you may add lengths above or below the adjustable length. If you add lengths above the adjustable length install the trim collar (included with UBAF) to cover the formed end at the top of the length where it meets the chimney support.



90° ELBOW INSTALLATION

Most 90° elbow installations only require an elbow (UB90) and an adjustable length (UBAF). If the height from the top of the stove to the top of the elbow is less than 48 inches you will require a short length of ULTRABlack plus a slip section (UBSF) for the vertical section of connector instead of the UBAF.

1. Assemble the adjustable length (see instruction for straight up installation).
2. Screw the 90° elbow to the adjustable length using the three 1/2" metal screws provided.
3. Set the adjustable length so that the bottom end fits over the flue collar of the stove. Secure ULTRABlack to the stove flue collar using the three - 3/4" metal screws. The black screws provided are self-tapping and will not normally need a pilot hole for steel stove collars.
4. Extend the adjustable length up until the 90° elbow reaches the chimney flue extension. Screw the elbow to the flue extension using the three - 3/4" metal screws provided.



5. Extend the adjustable length up until the 90° elbow reaches the chimney flue extension. Screw the elbow to the flue extension using the three - 3/4" metal screws provided.
6. Screw the two sections of the adjustable length together using the three - 1/2" metal screws provided.
7. Install the UBTC Trim Collar around the formed end of the 90° elbow where it meets the wall pass-through.

MASONRY CHIMNEYS

Connecting to a masonry chimney:

1. Using a UBM Masonry Adapter, cut the adapter to length so that it fits flush with the inside of the masonry flue. The crimped end must protrude past the trim collar into the room.
2. The trim collar fits on the length between the crimp and the bead. Do not install the masonry adaptor without the trim collar. Screw the trim collar to the wall using screws and masonry anchors. Do not install the masonry adaptor without the trim collar.
3. Now secure the UB pipe or elbow to the UBM Adapter using the three - 3/4" screws provided.

DAMPER INSTALLATION (UBD)

The damper (UBD) allows you to control the air drawn through the chimney and controls your stove's combustion. When the handle is in the horizontal position, the damper is closed. This restricts combustion gas flow in the chimney and reduces the combustion process inside the stove. (In the closed position, the damper is still 20% open so as not to completely block the chimney).

When the handle is in the vertical position, the damper is fully open, allowing combustion gases to flow un-restricted and better combustion within the stove.

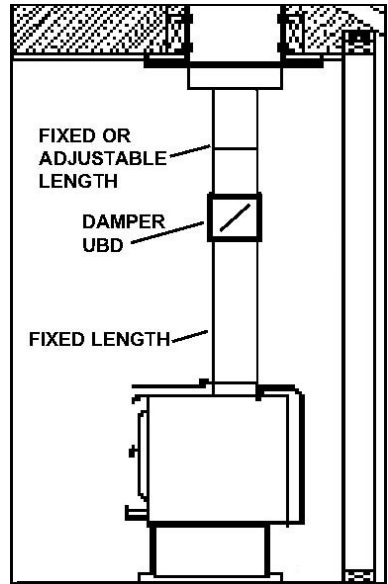
Rules to follow

- The damper must be installed in a vertical run of ULTRABlack and never on a horizontal run.

Installation

The UBD damper is installed like a normal length of ULTRABlack.

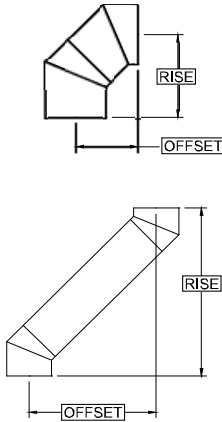
1. Install a fixed section of ULTRABlack onto the flue collar of the appliance and secure using three 1/2" metal screws.
2. Install the UBD damper on this section with the seam to the back, ensuring that the handle is located to the right of the chimney. Secure to the lower connector using the three screws provided.
3. Complete the installation by following the instructions for either a vertical chimney or a chimney with elbows.



Note: Plan the fixed and adjustable measurements that you will require in advance. Adjustable or slip sections of connector should always be installed above a UBD.

45° Offset Tables

UB OFFSET TABLE- Use this table if you are not installing an adjustable length between the elbows.					
LENGTH BETWEEN ELBOWS	45° ELBOWS		90° ELBOWS	OFFSET	RISE
	RISE	OFFS ET	6" Ø		
6" Ø			7" Ø	6 1/4	5
NO LENGTH	8 1/4	3 1/2	8" Ø	6 3/4	5 1/2
5" LENGTH	11	6 1/4			
6" slip LENGTH	11	6 1/4			
12" LENGTH	16	11 1/4			
18" LENGTH	20 1/4	15 1/2			
24" LENGTH	24 1/2	19 3/4			
36" LENGTH	33	28 1/4			
UBAF min	36 1/2	31 3/4			
UBAF max	56 1/4	51 1/2			
7" Ø					
NO LENGTH	9	3 3/4			
5" LENGTH	11 3/4	6 1/2			
6" slip LENGTH	11 3/4	6 1/2			
12" LENGTH	16 3/4	11 1/2			
18" LENGTH	21	15 3/4			
24" LENGTH	25 1/4	20			
36" LENGTH	33 3/4	28 1/2			
UBAF min	37 1/4	32			
UBAF max	57	51 3/4			
8" Ø					
NO LENGTH	9 3/4	4			
5" LENGTH	12 1/2	7			
6" slip LENGTH	12 1/2	7			
12" LENGTH	17 1/2	11 3/4			
18" LENGTH	21 3/4	16			
24" LENGTH	26	20 1/4			
36" LENGTH	34 1/2	28 3/4			
UBAF min	38	32 1/4			
UBAF max	57 3/4	52 1/4			



UB OFFSET TABLE- Use this table when an adjustable length (UBS) is installed between the elbows.		
LENGTH BETWEEN ELBOWS	45° ELBOWS	
	RISE	OFFSET
6" Ø		
NO LENGTH + UB6SF	9 1/4 - 11	4 1/2 - 6 1/4
5" LENGTH + UB6SF	12 - 14	7 1/4 - 9 1/4
5" LENGTH + UB12SF	16 - 18 1/4	11 1/4 - 13 1/2
12" LENGTH + UB12SF	17 - 23	12 1/4 - 18 1/4
18" LENGTH + UB12SF	21 1/4 - 27 1/4	16 1/2 - 22 1/2
24" LENGTH + UB18SF	25 1/2 - 35 3/4	20 3/4 - 31
UBAF min + UB6SF	37 1/2 - 39 1/4	32 3/4 - 34 1/2
UBAF min + UB18SF	37 1/2 - 47 3/4	32 3/4 - 43
UBAF max + UB18SF	57 1/4 - 67 3/4	52 1/2 - 63
36"+36"+12" + UB18SF	66 1/2 - 76 3/4	61 3/4 - 72
36"+36"+24" + UB18SF	75 - 85 1/4	70 1/4 - 80 1/2
36"+36"+36" + UB18SF	83 1/2 - 93 3/4	78 3/4 - 89
7" Ø		
NO LENGTH + UB6SF	10 - 11 3/4	4 3/4 - 6 1/2
5" LENGTH + UB6SF	12 3/4 - 14 3/4	7 1/2 - 9 1/2
5" LENGTH + UB12SF	16 3/4 - 19	7 1/2 - 13 3/4
12" LENGTH + UB12SF	17 3/4 - 23 3/4	12 1/2 - 18 1/2
18" LENGTH + UB12SF	22 - 28	16 3/4 - 22 3/4
24" LENGTH + 18UBSF	26 1/4 - 36 1/2	21 - 31 1/4
UBAF min + UB6SF	38 1/4 - 40	33 - 34 3/4
UBAF min + UB18SF	38 1/4 - 48 1/2	33 - 43 1/4
UBAF max + UB18SF	58 - 68 1/2	52 3/4 - 63 1/4
36"+36"+12" + UB18SF	67 1/4 - 77 1/2	62 - 72 1/4
36"+36"+12" + UB18SF	75 3/4 - 86	70 1/2 - 80 3/4
36"+36"+12" + UB18SF	84 1/4 - 94 1/2	79 - 89 1/4
8" Ø		
NO LENGTH + UB6SF	10 1/2 - 12 1/2	5 - 7
5" LENGTH + UB6SF	13 1/2 - 15 1/4	7 3/4 - 9 3/4
5" LENGTH + UB12SF	17 1/2 - 19 1/2	7 3/4 - 14
12" LENGTH + UB12SF	18 1/4 - 24 1/2	12 3/4 - 19
18" LENGTH + UB12SF	22 1/2 - 28 3/4	17 - 23 1/4
24" LENGTH + 18UBSF	26 3/4 - 37 1/4	21 1/4 - 31 3/4
UBAF min + UB6SF	38 3/4 - 40 3/4	33 1/4 - 35 1/4
UBAF min + UB18SF	38 3/4 - 49 1/4	33 1/4 - 43 3/4
UBAF max + UB18SF	58 3/4 - 69	53 - 63 1/2
36"+36"+12" + UB18SF	67 3/4 - 78 1/4	62 1/4 - 72 3/4
36"+36"+12" + UB18SF	76 1/4 - 86 3/4	70 3/4 - 81 1/4
36"+36"+12" + UB18SF	84 3/4 - 95 1/4	79 1/4 - 89 1/2

CERTIFIED TO /
CERTIFIÉ À :
ULC STD S641

UP

Intertek
4005717

FACTORY-BUILT CHIMNEY CONNECTOR
TUYAU DE RACCORDEMENT
MODEL / MODÈLE: UB

MINIMUM CLEARANCE TO COMBUSTIBLE CONSTRUCTION:
ÉCARTÉMENT MINIMAL AUX MATIÈRES COMBUSTIBLES:

6"

INSTALL IN ACCORDANCE WITH ICC INSTALLATION INSTRUCTIONS FOR CONNECTION TO GAS, OIL AND SOLID FUEL BURNING APPLIANCES NORMALLY PRODUCING FLUE GASES OF 600 °C OR LESS.

CAUTION
DO NOT ENCLOSE. THIS CONNECTOR MUST NOT PASS THROUGH FLOORS OR CEILING, PASSAGE THROUGH WALLS IS NOT PERMITTED EXCEPT AS DETAILED IN THE INSTALLATION INSTRUCTIONS.

INSTALLER SELON LES INSTRUCTIONS D'INSTALLATION DE CCS POUR RACCORDEMENT À DES APPARELS À GAZ, À L'HAILE ET AU BOIS PRODUISANT DES TEMPÉRATURES ÉVALUÉES DE 600 °C OU MOINS.

AVERTISSEMENT
CE TUYAU DE RACCORDEMENT NE DOIT PAS:
1. TRAVERSER PLANCHERS, PLAFONNAGES
2. TRAVERSER MURS SAUF SI PERMIS AUX INSTRUCTIONS D'INSTALLATION.
3. ÊTRE ENCASTRÉ.

ICC INDUSTRIAL CHIMNEY COMPANY INC.
ICC COMPAGNIE DE CHEMINEES INDUSTRIELLES INC.
ST-JEROME, QUEBEC, CANADA
933216

CERTIFIED TO /
CERTIFIÉ À :
ULC STD S641

Intertek
4005717

RECOGNIZED COMPONENT FOR
FACTORY-BUILT CHIMNEY CONNECTOR
COMPOSANTE RECONNUE POUR
TUYAU DE RACCORDEMENT
MODEL / MODÈLE: UB & UB

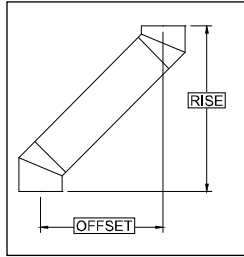
FOR USE ONLY WITH ICC
MODEL UB & UB
FACTORY-BUILT CHIMNEY
CONNECTOR.

POUR UTILISATION
AVEC LE TUYAU DE
RACCORDEMENT
MODÈLE UB & UB

ICC INDUSTRIAL CHIMNEY COMPANY INC.
ICC COMPAGNIE DE CHEMINEES INDUSTRIELLES INC.
ST-JEROME, QUEBEC, CANADA MADE IN CANADA 933215

Black label with white or yellow printing. This label appears on all other certified components (e.g. UBTR).

30° Offset Tables



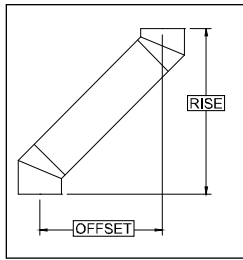
UB OFFSET TABLE- Use this table if you are not installing an adjustable length between the elbows.

LENGTH BETWEEN OFFSETS	30° ELBOWS	
	RISE	OFFSET
6" Ø		
NO LENGTH	7 1/4	2
5" LENGTH	10 1/2	4
6" SLIP LENGTH	10 1/2	4
12" LENGTH	16 3/4	7 1/2
18" LENGTH	21 3/4	10 1/2
24" LENGTH	27	13 1/2
36" LENGTH	37 1/2	19 1/2
UBAF min	41 3/4	22
UBAF MAX	66	36
7" Ø		
NO LENGTH	7 3/4	2
5" LENGTH	11	4
6" SLIP LENGTH	11	4
12" LENGTH	17 1/4	7 1/2
18" LENGTH	22 1/4	10 1/2
24" LENGTH	27 1/2	13 1/2
36" LENGTH	38	19 1/2
UBAF min	42 1/4	22
UBAF MAX	66 1/2	36
8" Ø		
NO LENGTH	8 1/4	2 1/4
5" LENGTH	11 3/4	4 1/4
6" SLIP LENGTH	11 3/4	4 1/4
12" LENGTH	17 3/4	7 3/4
18" LENGTH	23	10 3/4
24" LENGTH	28 1/4	13 3/4
36" LENGTH	38 1/2	19 3/4
UBAF min	43	21 1/4
UBAF MAX	67 1/4	36 1/4

UB OFFSET TABLE- Use this table when an adjustable length (UBS) is installed between the elbows.

LENGTH BETWEEN OFFSETS	30° ELBOWS	
	RISE	OFFSET
6" Ø		
NO LENGTH + UB6SF	8 1/4 - 10 1/2	2 3/4 - 4
5" LENGTH + UB6SF	11 3/4 - 14	4 3/4 - 6
5" LENGTH + UB12SF	16 3/4 - 19 1/4	7 1/2 - 9
12" LENGTH + UB12SF	17 3/4 - 25 1/4	8 1/4 - 12 1/2
18" LENGTH + UB12SF	23 - 30 1/2	11 1/4 - 15 1/2
24" LENGTH + UB18SF	28 1/4 - 41	14 1/4 - 21 1/2
UBAF min + UB6SF	42 3/4 - 45 1/4	22 3/4 - 24
UBAF min + UB18SF	42 3/4 - 55 1/2	22 3/4 - 30
UBAF max + UB18SF	67 - 79 3/4	36 3/4 - 44
36 + 36 + 12 + UB18SF	78 1/4 - 91 1/4	43 1/4 - 50 1/2
36 + 36 + 24 + UB18SF	88 3/4 - 101 1/2	49 1/4 - 56 1/2
36 + 36 + 36 + UB18SF	99 1/4 - 112	55 1/4 - 62 1/2
7" Ø		
NO LENGTH + UB6SF	8 3/4 - 11	2 3/4 - 4
5" LENGTH + UB6SF	12 1/4 - 14 1/2	4 3/4 - 6
5" LENGTH + UB12SF	17 1/4 - 19 3/4	7 1/2 - 9
12" LENGTH + UB12SF	18 1/4 - 25 3/4	8 1/4 - 12 1/2
18" LENGTH + UB12SF	23 1/2 - 31	11 1/4 - 15 1/2
24" LENGTH + UB18SF	28 3/4 - 41 1/2	14 1/4 - 21 1/2
UBAF min + UB6SF	43 1/4 - 45 3/4	22 3/4 - 24
UBAF min + UB18SF	43 1/4 - 56	22 3/4 - 30
UBAF max + UB18SF	67 1/2 - 80 1/4	36 3/4 - 44
36 + 36 + 12 + UB18SF	78 3/4 - 91 3/4	43 1/4 - 50 1/2
36 + 36 + 24 + UB18SF	89 1/4 - 102	49 1/4 - 56 1/2
36 + 36 + 36 + UB18SF	99 3/4 - 112 1/2	55 1/4 - 62 1/2
8" Ø		
NO LENGTH + UB6SF	9 1/4 - 11 3/4	3 - 4 1/4
5" LENGTH + UB6SF	12 3/4 - 15 1/4	5 - 6 1/4
5" LENGTH + UB12SF	12 3/4 - 20 1/4	7 3/4 - 9 1/4
12" LENGTH + UB12SF	18 3/4 - 26 1/2	8 1/2 - 12 3/4
18" LENGTH + UB12SF	24 - 31 3/4	11 1/2 - 15 3/4
24" LENGTH + UB18SF	29 1/4 - 42	14 1/2 - 21 3/4
UBAF min + UB6SF	44 - 46 1/4	23 - 24 1/4
UBAF min + UB18SF	44 - 56 3/4	23 - 30 1/4
UBAF max + UB18SF	68 1/4 - 81	37 - 44 1/4
36 + 36 + 12 + UB18SF	79 1/2 - 92 1/4	43 1/2 - 50 3/4
36 + 36 + 24 + UB18SF	89 3/4 - 102 3/4	49 1/2 - 56 3/4
36 + 36 + 36 + UB18SF	100 1/4 - 113	55 1/2 - 62 3/4

15° Offset Tables




UB OFFSET TABLE- Use this table if you are not installing an adjustable length between the elbows.


LENGTH BETWEEN OFFSETS	15° ELBOWS	
	RISE	OFFSET
6" Ø		
NO LENGTH	5 1/2	3/4
5" LENGTH	9 1/4	1 3/4
6" SLIP LENGTH	9 1/4	1 3/4
12" LENGTH	16	3 1/2
18" LENGTH	21 3/4	5
24" LENGTH	27 3/4	6 3/4
36" LENGTH	39 1/4	9 3/4
UBAF min	44	11
UBAF max	71	18 1/4
7" Ø		
NO LENGTH	5 3/4	3/4
5" LENGTH	9 1/2	1 3/4
6" SLIP LENGTH	9 1/2	1 3/4
12" LENGTH	16 1/4	3 1/2
18" LENGTH	22	5 1/4
24" LENGTH	27 3/4	6 3/4
36" LENGTH	39 1/2	9 3/4
UBAF min	44 1/4	11
UBAF max	71 1/4	18 1/4
8" Ø		
NO LENGTH	6	3/4
5" LENGTH	9 3/4	1 3/4
6" SLIP LENGTH	9 3/4	1 3/4
12" LENGTH	16 3/4	3 3/4
18" LENGTH	22 1/2	5 1/4
24" LENGTH	28 1/4	6 3/4
36" LENGTH	39 3/4	9 3/4
UBAF min	44 3/4	11 1/4
UBAF max	71 3/4	18 1/2

UB OFFSET TABLE- Use this table when an adjustable length (UBS) is installed between the elbows.

LENGTH BETWEEN OFFSETS	15° ELBOWS	
	RISE	OFFSET
6" Ø		
NO LENGTH + UB6SF	9 1/4 - 9 1/4	1 3/4 - 1 3/4
5" LENGTH + UB6SF	10 1/2 - 13 1/4	2 - 2 3/4
5" LENGTH + UB12SF	16 - 19	3 1/2 - 4 1/4
12" LENGTH + UB12SF	17 1/4 - 25 3/4	4 - 6 1/4
18" LENGTH + UB12SF	23 - 31 1/2	5 1/2 - 7 3/4
24" LENGTH + UB18SF	28 3/4 - 43	7 - 10 3/4
UBAF min + UB6SF	45 1/4 - 48	11 1/2 - 12
UBAF min + UB18SF	45 1/4 - 59 1/2	11 1/2 - 15 1/4
UBAF max + UB18SF	72 1/4 - 86 1/2	18 3/4 - 22 1/2
36"+36"+12" + UB18SF	85 - 99 1/4	22 - 25 3/4
36"+36"+24" + UB18SF	96 1/2 - 110 3/4	25 - 29
36"+36"+36" + UB18SF	108 - 122 1/4	28 1/4 - 32
7" Ø		
NO LENGTH + UB6SF	9 1/2 - 9 1/2	1 3/4 - 1 3/4
5" LENGTH + UB6SF	10 3/4 - 13 1/4	2 - 2 3/4
5" LENGTH + UB12SF	16 1/4 - 19 1/4	3 1/2 - 4 1/4
12" LENGTH + UB12SF	17 1/2 - 26	4 - 6 1/4
18" LENGTH + UB12SF	23 1/4 - 31 3/4	5 1/2 - 7 3/4
24" LENGTH + UB18SF	29 - 43 1/4	7 - 10 3/4
UBAF min + UB6SF	45 1/2 - 48 1/4	11 1/2 - 12 1/4
UBAF min + UB18SF	45 1/2 - 59 3/4	11 1/2 - 15 1/4
UBAF max + UB18SF	72 1/2 - 86 3/4	18 3/4 - 22 1/2
36"+36"+12" + UB18SF	85 - 99 1/4	22 - 25 3/4
36"+36"+12" + UB18SF	96 3/4 - 111	25 1/4 - 29
36"+36"+12" + UB18SF	108 1/4 - 122 1/2	28 1/4 - 32
8" Ø		
NO LENGTH + UB6SF	9 3/4 - 9 3/4	1 3/4 - 1 3/4
5" LENGTH + UB6SF	11 - 13 3/4	2 1/4 - 2 3/4
5" LENGTH + UB12SF	16 3/4 - 19 1/2	3 3/4 - 4 1/2
12" LENGTH + UB12SF	17 3/4 - 26 1/4	4 - 6 1/4
18" LENGTH + UB12SF	23 3/4 - 32	5 1/2 - 7 3/4
24" LENGTH + UB18SF	29 1/2 - 43 3/4	7 - 10 3/4
UBAF min + UB6SF	45 3/4 - 48 1/2	11 1/2 - 12 1/4
UBAF min + UB18SF	45 3/4 - 60	11 1/2 - 15 1/4
UBAF max + UB18SF	73 - 87 1/4	18 3/4 - 22 1/2
36"+36"+12" + UB18SF	85 1/2 - 99 3/4	22 - 26
36"+36"+12" + UB18SF	97 - 111 1/4	25 1/4 - 29
36"+36"+12" + UB18SF	108 3/4 - 123	28 1/4 - 32



We recommend that our products be installed and serviced by professionals who are certified in the U.S. by NFI (National Fireproof Institute) or in Canada by WETT (Wood Energy Technical Training).



www.nficertified.org

LIFETIME WARRANTY

ULTRABlack Chimney Connector

ICC warrants its ULTRABlack stainless steel chimney connector lengths to be free from functional failure due to defects in material or workmanship for as long as the original consumer owns the ULTRABlack system. This warranty provides for replacement of any lengths which fail as a result of normal use on a residential freestanding fireplace, wood burning stove, furnace or boiler. This warranty does not cover damage caused to the building by chimney fires or misuse of the product.

ICC will only be responsible for repair or replacement of any lengths found to be defective under this warranty. In no event shall ICC be responsible for any incidental or consequential damage caused by defects in the ULTRABlack chimney system.

To obtain service under this warranty the defective connector should be returned to the dealer from whom it was purchased. If you are unable to return ULTRABlack to the original dealer contact ICC for the name of the closest dealer who can assist you. ICC will not be responsible for shipping charges related to warranty replacements. ICC will repair or replace any lengths which, upon examination by an authorized agent of ICC, prove to be defective.

ICC will not be responsible for labour of any kind required in the removal or replacement of an ULTRABlack system replaced under this warranty. ULTRABlack is designed to vent residential heating oil, untreated wood, low sulphur coal, and natural or LP gas. It is designed to operate at a continuous temperature of 1200°F or less. This warranty is void if the connector is used in an application for which it is not designed.

The ULTRABlack system must be installed according to the Installation Instructions included with every system at the time of purchase, if you do not have a set of installation instructions they are available at www.icc-rsf.com. This warranty is void if ULTRABlack is not installed according to the installation instructions.

This warranty may not be extended or modified by our agents or representatives. This warranty is in lieu of all other express warranties or guarantees, of any kind.