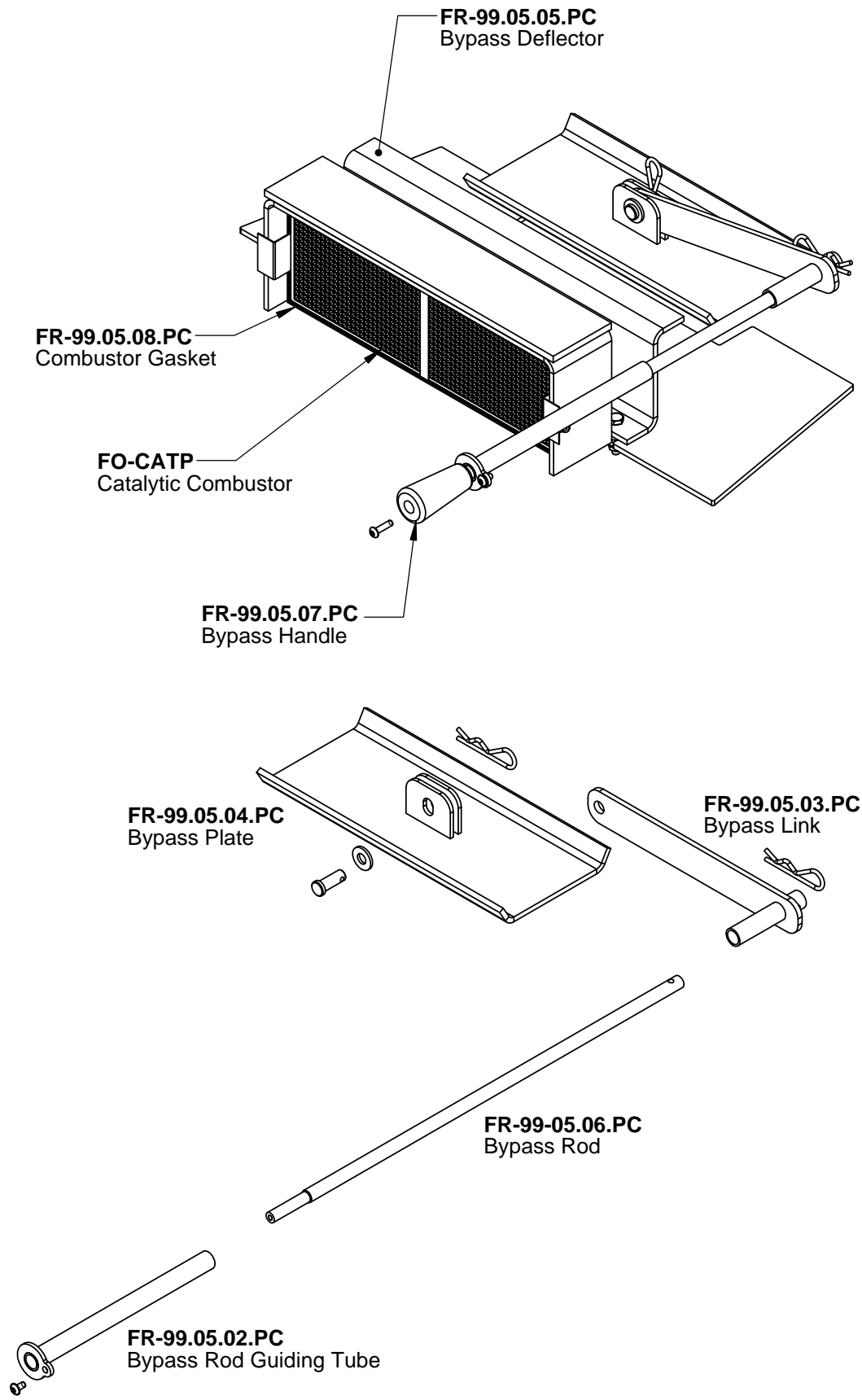
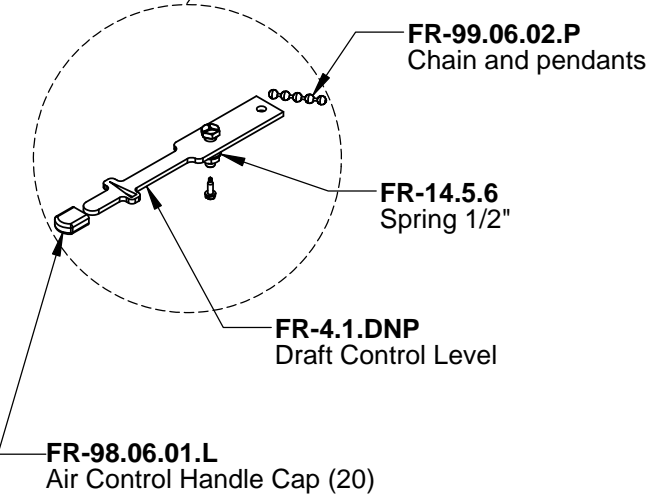
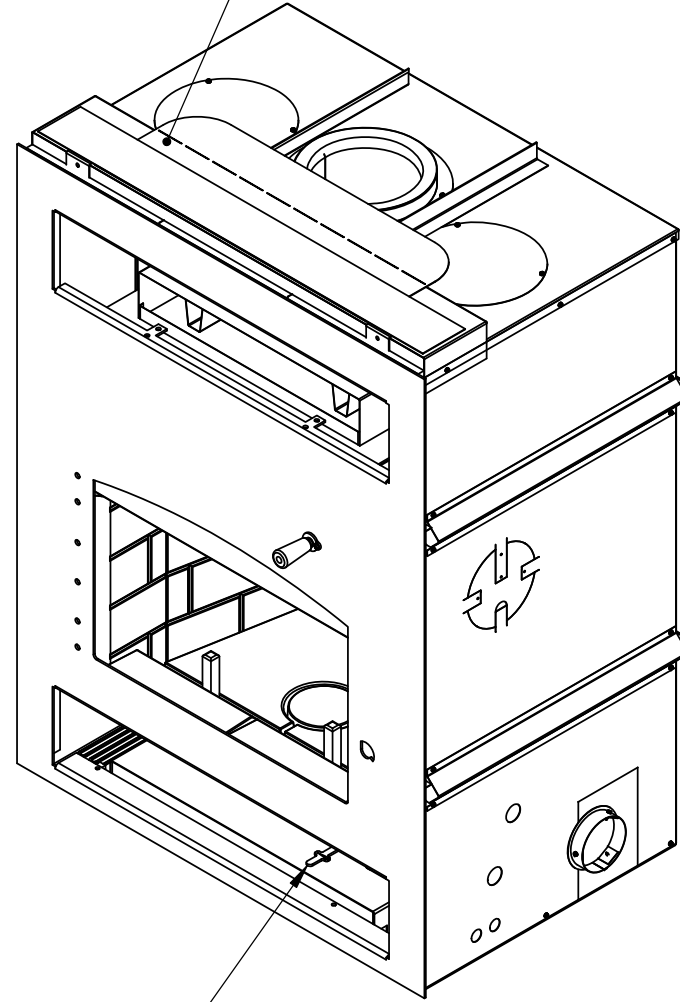


FR-99.05.01.PC
Bypass Damper Assembly

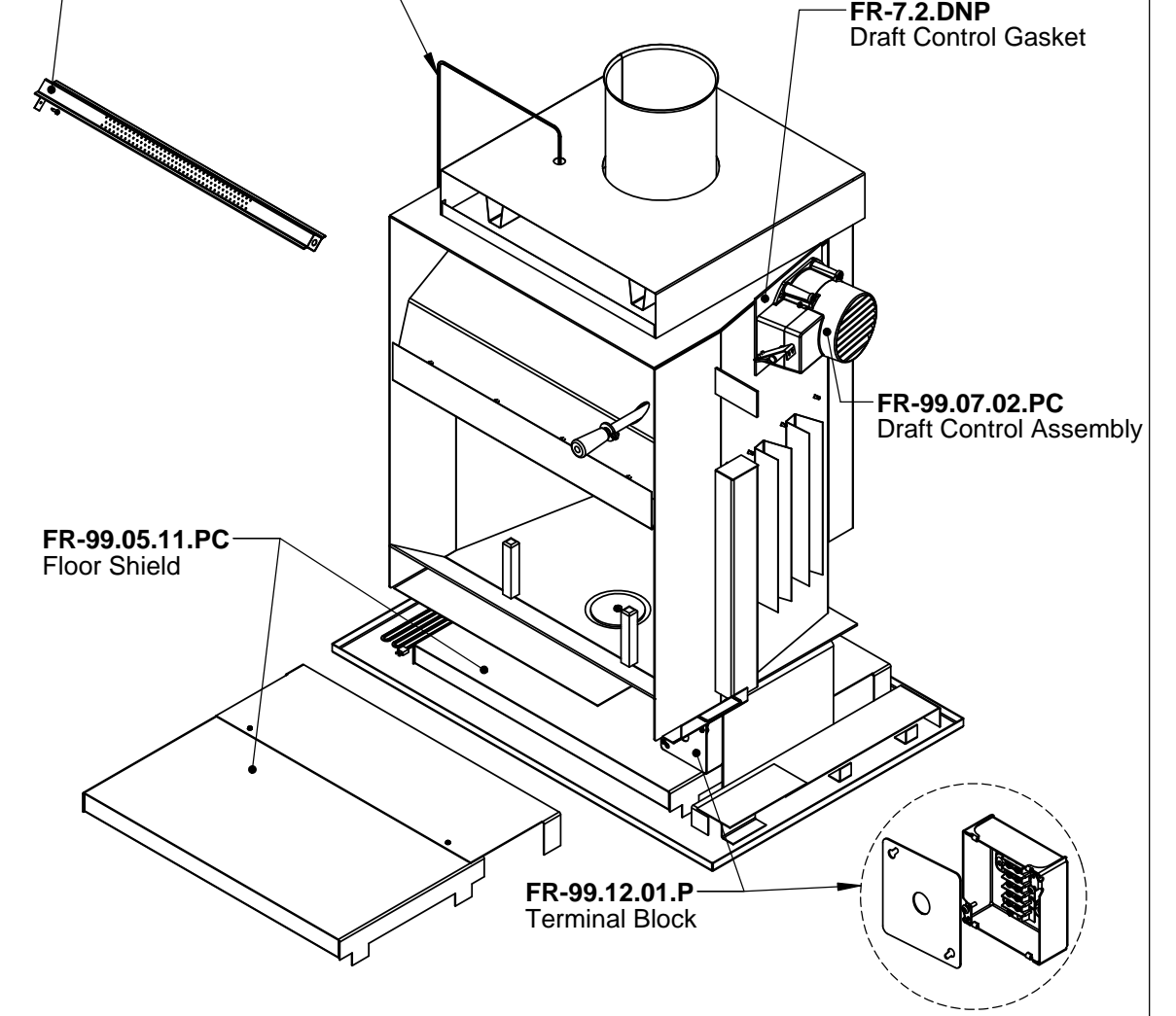


FR-99.06.01.PC
Top Standoff

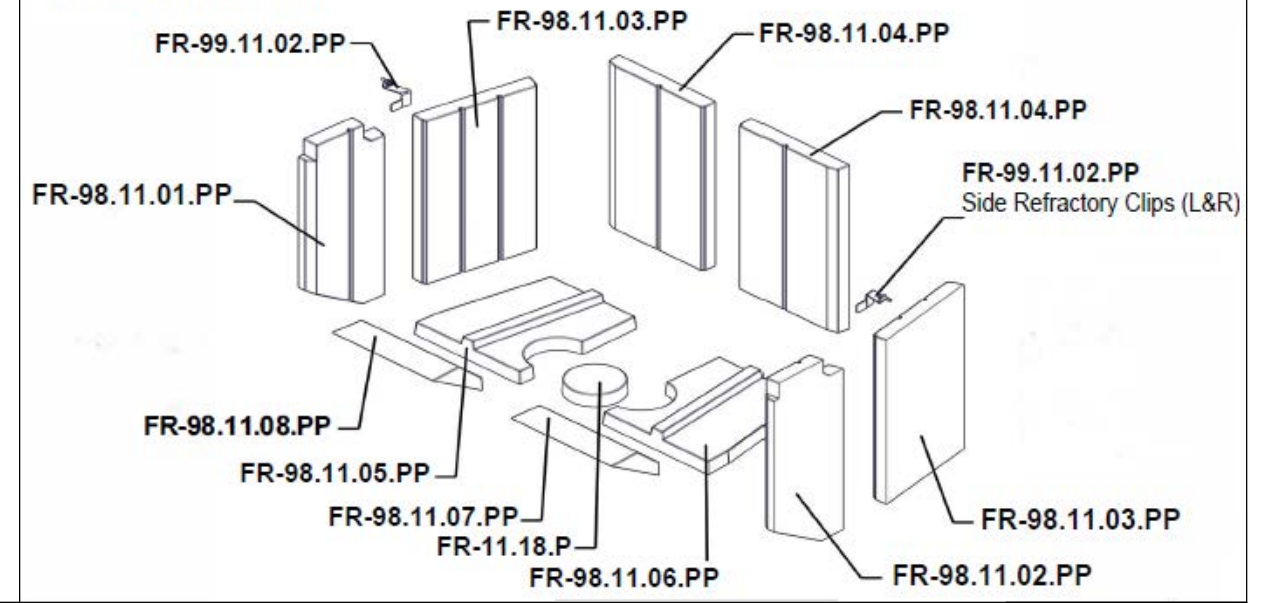


FR-99.07.01.PC
Secondary Air Tube

FR-99.05.09.PC
Temperature Probe



FR-99.11.01.PP
Refractory Complete Set



DATE	REV.
2019-06-21	00

OPEL PLUS 2C & 3C

OPEL3C

FR-99.09.06.P
Door Assembly

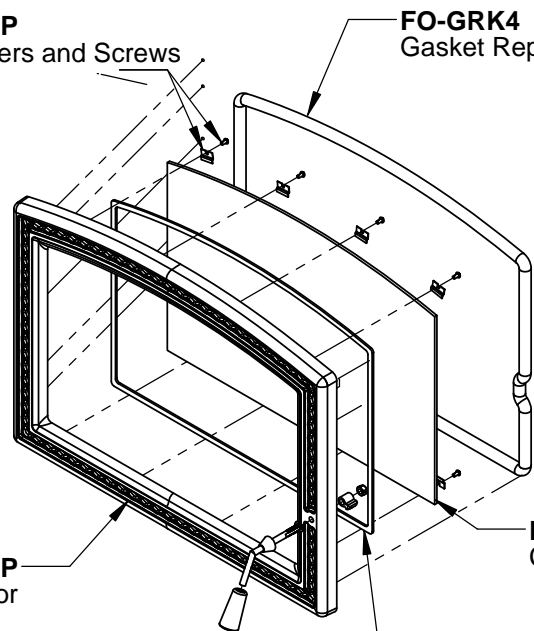
FR-99.09.05.P
Glass Retainers and Screws

FO-GRK4
Gasket Replacement Kit

FR-98.09.01.P
Cast Iron Door

FR-98.09.02.P
Ceramic Glass

FR-98.09.03.P
Glass Gasket



OPEL2C

FO-FDDBO
Complete door set

FR-14.7.2
FR-98.09.04.P

FO-FDGRK2

FR-14.7.2

FR-98.09.04.P

FR-14.7.14

FO-FDGRK2

FR-99.09.05.P
Glass Retainers and Screws

FR-99.09.07.P
Hinge Hardware

FR-14.7.16

FR-14.17.43

FR-14.17.76



FO-OPLB
Louver Kit - Black

FR-99.10.03.P
Top Louver Hardware

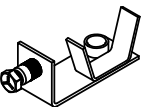
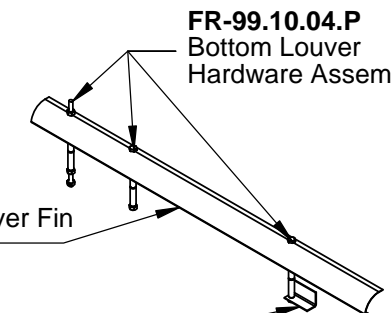
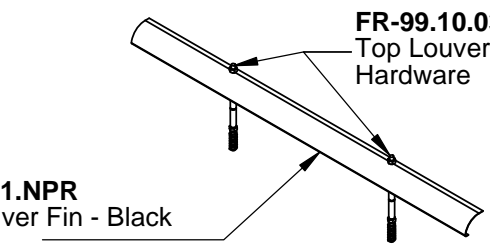
FR-10.01.NPR
Top Louver Fin - Black

FR-99.10.04.P
Bottom Louver Hardware Assembly

FR-10.2.NP
Bottom Louver Fin - Black

FR-1.10.3.NP
Magnet bracket

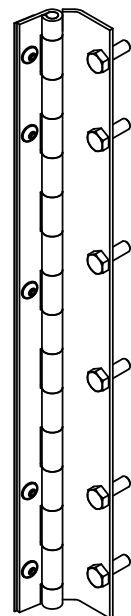
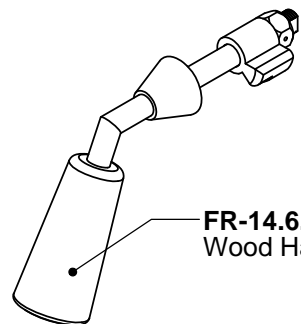
FR-10.3.NP
Lower Louver Magnet Stop



FR-99.09.03.P (Opel3C)
Door Handle Assembly

FR-99.09.04.P (Opel3C)
Door Hinge and Hardware

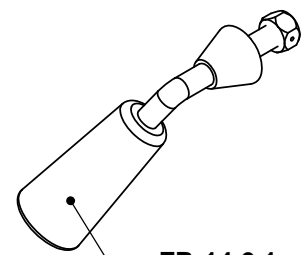
FR-14.6.1
Wood Handle



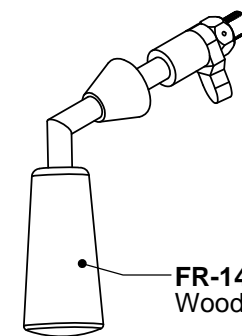
FR-99.09.02.P (Opel2C)
Left Door Handle Assembly

FR-99.09.01.P (Opel2C)
Right Door Handle Assembly

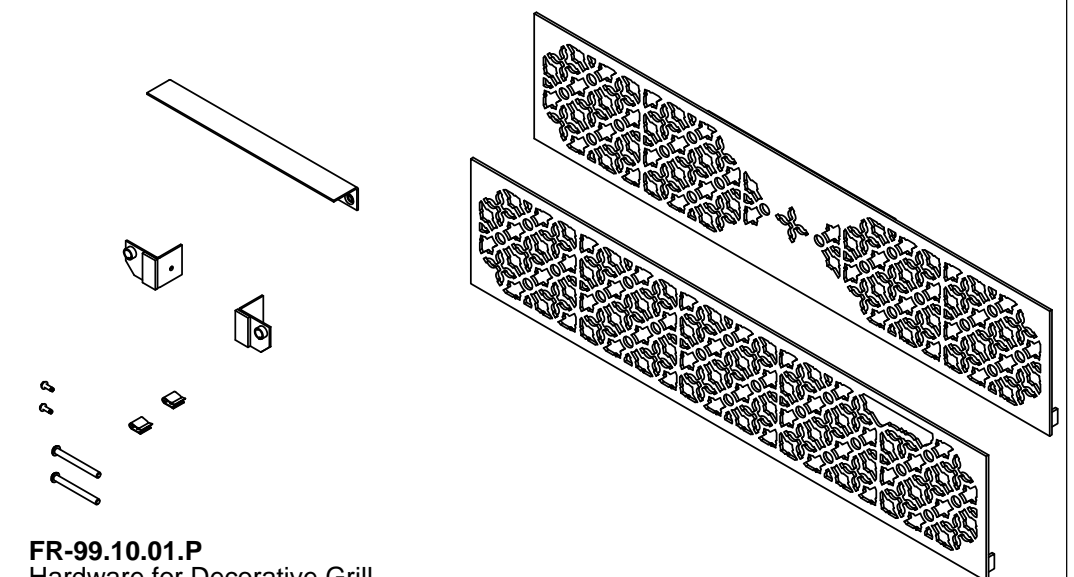
FR-14.6.1
Wood Handle



FR-14.6.1
Wood Handle



FO-OPLC
Decorative Grills



FR-99.10.01.P
Hardware for Decorative Grill