

EASY TO INSTALL

EASY TO MAINTAIN

SUPERIOR QUALITY PRODUCT

Manufactured using Type 304 stainless steel, EXCELiner is listed to UL and ULC standards by Intertek Testing Services to be used as a liner in a new chimney or to reline an existing chimney. Designed to withstand chimney fires without damage and to facilitate installation, its perfectly round, smooth shape allows lengths to fit together effortlessly. Simply line up the pre-punched holes, fasten with the stainless steel rivets provided and you're done!

EXCELiner offers versatility and a cost-effective solution, with a large range of lengths, connections and diameters, making it an excellent option when used:

- to replace clay tile liners or to reline clay tile liners which have become cracked, misused, or had chimney fires;
- to improve the safety, performance and efficiency of wood or gas-burning stoves and fireplace inserts by reducing the chimney to the correct size for the appliance;
- to improve draft, reduce fuel consumption, and help to ensure consistent appliance operation;
- as the flue in a new masonry chimney or in an unlined chimney.



EXCELiner can be used in combination with EXCELFlex liner to install in difficult to maneuver places.



EXCELiner

RIGID LINER FOR MASONRY CHIMNEYS



EXCELiner Technical Information

Certification

EXCELiner is tested and listed by Intertek Testing Services to the following standards:

ULC S-635 - Standard for relining existing masonry chimneys in Canada.

ULC S-640 - Standard for liners for new masonry chimneys in Canada.

UL 1777 - Standard for liners in new and existing masonry chimneys in the USA.

The installation requirements vary depending on which standard your installation must meet, particularly with respect to the requirements for insulation and clearance from the liner. You must ensure that your EXCELiner is installed in accordance with your local building codes.

EXCELiner is available in 5", 5.5", 6", 7" and 8" diameters.

EXCELiner is certified for installation in combination with all certified brands of flexible chimney liner.

Applications

EXCELiner is certified as a chimney liner for use on appliances that burn:

- Wood
- Oil
- Natural or LP Gas

Allowable Flue Gas Temperatures

Max Continuous	650°C (1200°F)
Brief Forced Firing	925°C (1700°F)
Tested To	1150°C (2100°F)

Clearance to Combustible Materials

The clearance between EXCELiner and surrounding combustible and non-combustible materials varies with the type of installation. Please refer to the installation instructions for specific details for your application.

Construction

Single wall: .016" or .025" stainless steel (all tees are heavy gauge .025").

Seam: Continuous seam welded.

Insulation: Optional (required for some applications) Foil backed ceramic liner.

EXCELiner Engineering and Design Considerations

EXCELiner is a fast, cost effective solution to the following chimney situations:

To repair cracked or damaged clay tile liners. EXCELiner is designed and approved to replace clay tile liners which have become cracked from age, misuse, or chimney fires. EXCELiner can be used to reline structurally sound masonry chimneys where the liners have deteriorated due to chimney fires, spalled tiles, moisture damage or eroded mortar joints.

To improve the safety, performance and efficiency of wood or gas burning stoves and fireplace inserts. By reducing the chimney to the correct size for the appliance EXCELiner improves draft, reduces fuel consumption, and helps ensure consistent operation. There is less creosote formation in a properly sized flue which decreases the probability of a chimney fire.

EXCELiner is listed to UL and ULC standards by Intertek Testing Services to be used as stainless steel liner in a new chimney, instead of a clay tile liner. Unlike clay tile liners, EXCELiner can withstand chimney fires without damage and comes with a lifetime warranty.

EXCELiner is easier to clean

EXCELiner's smooth surface accumulates less creosote than a flexible liner and is much easier to clean.

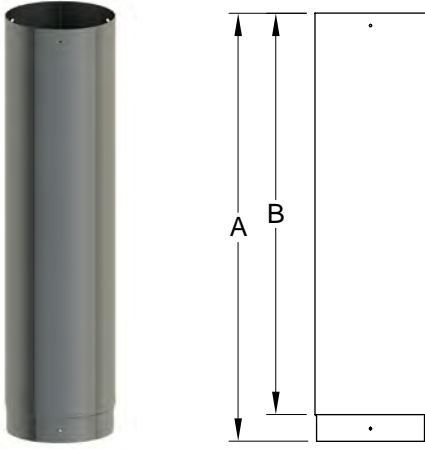


EXCELiner has been tested and listed to the ULC S-635 ULC S-640 and UL 1777 chimney liner standards by INTERTEK.

EXCELiner Product Descriptions

Lengths

(LL4, LL3, LL2 & LL1)



EXCELiner is available in 4', 3', 2' and 1' lengths. EXCELiner components fasten together with 100% stainless steel pop rivets which are supplied with the liner. The holes and slots for the rivets are factory pre-punched so no drilling is required. The male and female ends are hemmed to make the liner more rigid and reduce the likelihood of cutting yourself during installation.

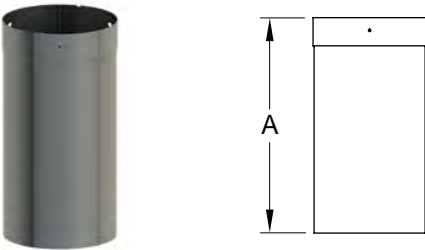
EXCELiner is available in 5", 5.5", 6", 7" and 8" diameter.

Length Dimensions		
	A	B
LL1	11 5/8	10 1/4
LL2	23 5/8	21 1/4
LL3	35 1/2	33 1/8
LL4	47 1/2	45 1/8

INCHES

Slip Lengths

(LLA3 & LLA1)



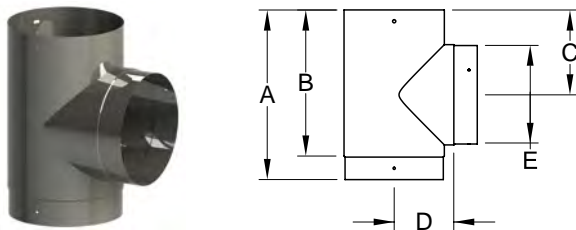
Slip lengths are available in 3' and 1' lengths. Slip lengths are used to adjust the length of the system without cutting. *Note: Slip lengths must be installed above a fixed length or they will not adjust. They should not be installed immediately above a tee or elbow.*

Dimensions		
Code	A MIN.	A MAX.
LLA1	1 3/8	11 5/8
LLA3	1 3/8	35 1/2

INCHES

Split Base Tees

(LT)



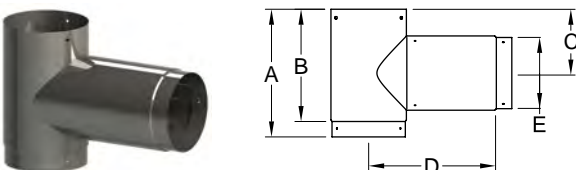
EXCELiner tees are made from .025" thick stainless steel. The removable snout is fastened to the body of the tee with heavy duty stainless steel screws. **All 5 1/2", and 6" tees have a 6" diameter snout so that they can connect to 6" smoke pipe without a reducer.** Tee Cap (LTC) not included.

Dimensions					
Code	A	B	C	D	E
5LT	9 3/8	8	4 5/8	3 1/8	4 7/8
55LT	9 7/8	8 3/8	4 7/8	3 3/8	5 7/8
6LT	10 3/8	9	5 1/8	3 5/8	5 7/8
7LT	11 3/8	10	5 5/8	4 1/8	6 7/8
8LT	12 3/8	11	6 1/8	4 5/8	7 7/8

INCHES

Adjustable Snout Tees

(LTA)



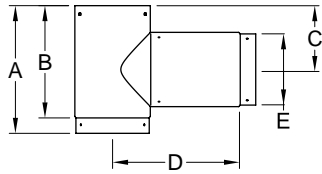
EXCELiner tees are made from .025" thick stainless steel. The LTA eliminates the difficult job of cutting and fastening a short horizontal length of liner in the breeching. **All 5 1/2", and 6" tees have a 6" diameter snout so that they can connect to 6" smoke pipe without a reducer.** Tee Cap (LTC) not included.

Dimensions						
Code	A	B	C	D MIN.	D MAX.	E
5LTA	9 3/8	8	4 5/8	9 5/8	15 3/4	4 7/8
55LTA	9 7/8	8 1/2	4 7/8	9 7/8	16	5 7/8
6LTA	10 3/8	9	5 1/8	10 1/8	16 1/4	5 7/8
7LTA	11 3/8	10	5 5/8	10 5/8	16 5/8	6 7/8
8LTA	12 3/8	11	6 1/8	11 1/8	17 1/8	7 7/8

INCHES

Twist Lock Tee

(LTL)



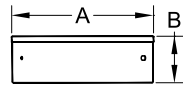
The Twist Lock Tee is ideal for tight installations. The telescopic snout connects to the body of the tee with a twist action and locks into place with fold over tabs.

INCHES

Dimensions						
Code	A	B	C	D MIN.	D MAX.	E
5LTL	10 1/4	8 7/8	5 1/8	9 3/4	15 7/8	4 7/8
55LTL	10 3/4	9 3/8	5 5/8	10	16 1/8	5 15/16
6LTL	11 1/4	9 7/8	5 5/8	10 1/4	16 3/8	5 7/8
7LTL	12 1/4	10 7/8	6 1/8	10 3/4	16 7/8	6 7/8
8LTL	13 1/4	11 7/8	7 1/8	11 1/4	17 3/8	7 7/8

Tee Cap

(LTC)



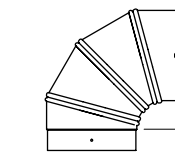
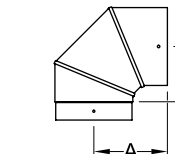
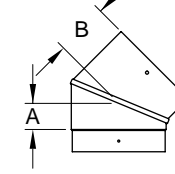
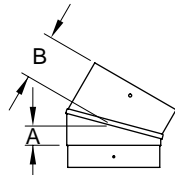
Blocks off the open portion of the tee.

INCHES

Dimensions		
Code	A	B
5LTC	5	1
55LTC	5 1/2	1
6LTC	6	1
7LTC	7	1
8LTC	8	1

Elbows

(LE30, LE45, LE90 & LEA90)



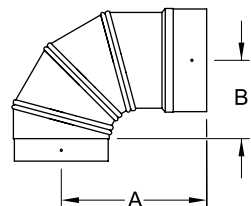
The elbows are used when a directional change is required (LEA90 can be adjusted).

INCHES

Dimensions		
Code	A	B
5LE30	1 1/4	2 5/8
55LE30	1 3/8	2 3/4
6LE30	1 3/8	2 7/8
7LE30	1 1/2	3
8LE30	1 5/8	3 1/8
5LE45	1 5/8	3
55LE45	1 3/4	3 1/8
6LE45	1 7/8	3 1/4
7LE45	2	3 1/2
8LE45	2 1/4	3 5/8
5LE90	5 1/4	3 7/8
55LE90	5 1/2	4 1/8
6LE90	5 3/8	4 3/8
7LE90	6 1/4	4 7/8
8LE90	6 3/4	5 3/8
5LEA90	5 7/8	4 1/2
55LEA90	6 1/8	4 3/4
6LEA90	6 3/8	5
7LEA90	6 7/8	5 1/2
8LEA90	7 3/8	6

Adjustable Flex Adapter Elbow

(LAF90)



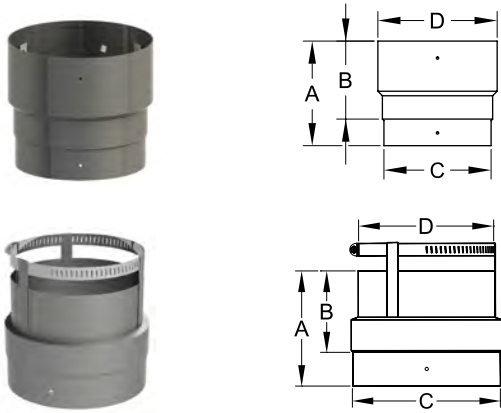
This adjustable elbow is designed for use during the installation of an insert. The angle of the elbow is adjustable to ease installation, and three tabs on the inside of the elbow help secure a flexible liner in place without tearing.

INCHES

Dimensions		
Code	A	B
5LAF90	8 1/2	4 1/2
55LAF90	8 3/4	4 3/4
6LAF90	9 1/4	5
7LAF90	9 3/4	5 1/2
8LAF90	10 1/4	6

Flex Liner Adapters

(LAF)



Note: The male end of EXCELiner will fit into most brands of stainless flex (except for some models of flex which are intentionally made undersize) so no adapter is generally required when the flex is installed below the rigid.

Can be used either as an appliance adapter for stainless flex or to connect rigid EXCELiner to flex. The 6LAF5 and 6LAF55 will connect an appliance with a 6" flue outlet to 5" or 5 1/2" flex liner respectively.

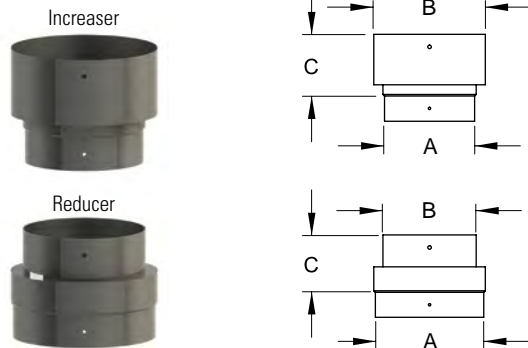
INCHES

Dimensions				
Code	A	B	C	D
4LAF	4 1/2	1 3/4	3 7/8	4 1/2
5LAF	5 3/4	4 1/4	4 7/8	5 1/2
55LAF	5 3/4	4 1/4	5 3/8	6
6LAF	5 3/4	4 1/4	5 7/8	6 1/2
7LAF	5 3/4	4 1/4	6 7/8	7 1/2
8LAF	5 3/4	4 1/4	7 7/8	8 1/2

Dimensions				
Code	A	B	C	D
6LAF5	4 5/8	3 1/4	5 7/8	5 1/2
6LAF55	3 3/8	1 3/4	5 7/8	6

Increases and Reducers

(LI & LR)



Designed to increase or reduce the size of an EXCELiner to accommodate a range of flue sizes, appliances and installations. Note: Increasing or decreasing chimney size can have a negative impact of chimney performance and safety. Use these components only when appropriate.

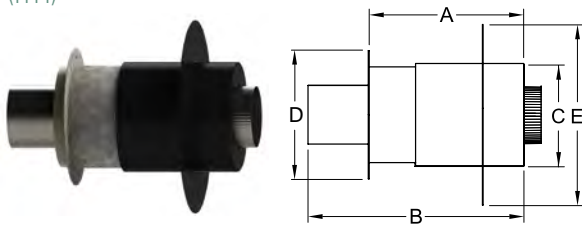
INCHES

Incraser Dimensions			
Code	A	B	C
LI56	4 7/8	6	3 1/4
LI556	5 3/8	6	3 1/4
LI67	5 7/8	7	3 1/4
LI78	6 7/8	8	3 1/4

Reducer Dimensions			
Code	A	B	C
LR65	5 7/8	5	3
LR655	5 7/8	5 1/2	3
LR76	6 7/8	6	3
LR87	7 7/8	7	3

Insulated Wall Thimbles

(ITH)



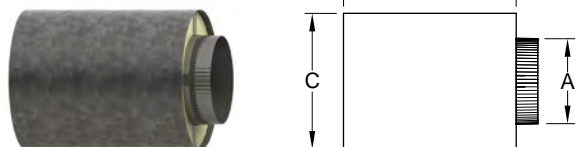
The ITH is tested and listed to connect through a combustible wall into a masonry chimney. It is adjustable to accommodate wall thickness up to 10" and can be combined with any UL listed liner system (ULC S-635, ULC S-640 or UL 1777). Not available in 5.5"

INCHES

Dimensions						
Code	A MIN.	A MAX.	B	C	D	E
5ITH	7 1/2	13	20	8 3/4	11	15 1/2
6ITH	7 1/2	13	20	9 3/4	12	17
7ITH	7 1/2	13	20	10 3/4	13	18 1/2
8ITH	7 1/2	13	20	11 3/4	14	20

ITH Extension

(ITHE)



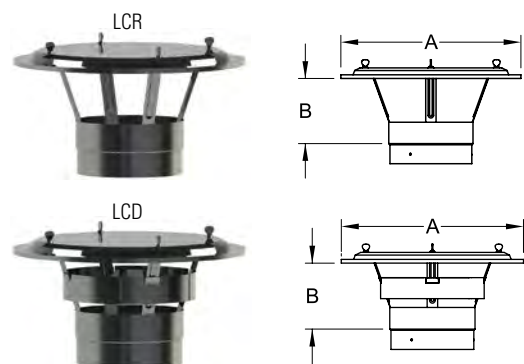
UL Listed extension for the Insulated Wall Thimble (ITH). Increases the total depth of the ITH to 24".

INCHES

Dimensions			
Code	A	B	C
5ITHE	4 7/8	13 1/2	8 7/16
6ITHE	5 7/8	13 1/2	9 7/16
7ITHE	6 7/8	13 1/2	10 7/16
8ITHE	7 7/8	13 1/2	11 7/16

Rain Caps

(LCR, LCD)



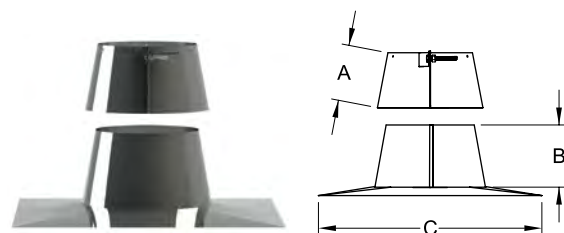
EXCELiner rain caps are made entirely of type 304 stainless steel. The top is held in place with four wing nuts on the regular (LCR) and deluxe (LCD) rain caps for easy removal and cleaning without the need to remove the rain cap itself. The deluxe cap has a stainless steel band.

INCHES

Dimensions		
Code	A	B
5 LCR & LCD	13	3 7/8
55 LCR & LCD	13	4
6 LCR & LCD	13	4 1/8
7 LCR & LCD	13	4 1/4
8 LCR & LCD	13	4 3/8

Top Supports

(LSA, LSAL, LSAG & LSAGL)



The top support is designed to seal off the top of the liner system and support the vertical liner. It is available in either stainless steel or galvalume. There are two base sizes available - 16" X 16" and 24" X 24".

INCHES

Dimensions			
Code	A	B	C
LSA	4	4 1/2	16
LSAL	4	4 1/2	24
LSAG	4	4 1/2	16
LSAGL	4	4 1/2	24

Base Support

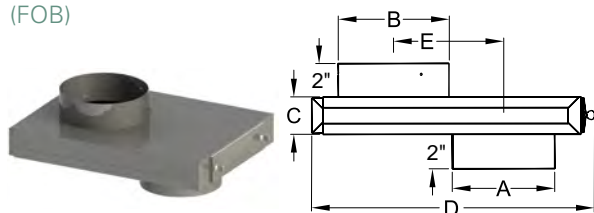
(LSB)



The base support is designed to seal and support a liner system. It is available in galvalume only. Support capacity 40'.

Offset Box

(FOB)



For tight insert installations that need to be offset quickly in order to align with the flue. The Offset Box is adjustable in length and has a clean-out port with removable thumb screws.

INCHES

Dimensions							
Code	A	B	C	D MIN.	D MAX.	E MIN.	E MAX.
6FOB	5 7/8	6 3/8	2 1/8	15 5/8	20 5/8	6 3/8	10 5/8
8FOB	7 7/8	8 3/8	2 3/16	17 7/8	21 5/8	6 5/8	9 5/8