



FO-F2

Clean Face Kit for Delta2, Focus 320, Onyx2, Opel2 and Opel3 fireplaces

The Clean Face kit includes the necessary parts required to circulate heated air from the firebox heat exchanger of the Clean Face Delta2, Focus 320, Onyx2, Opel2 or Opel3. This kit also includes the blocking plates to cover the louver openings for all units. Natural convection will provide all of the air required for safe operation but if you wish to slightly increase the volume and velocity of air flow through the vents you may choose to add the inline fan (FO-CIF) to your installation. The Clean Face kit comes with 5 feet of 8" flexible intake duct which cannot be lengthened for safety reasons.

❖ **WARNING: USE ONLY GENUINE RSF PARTS. THE USE OF ANY SUBSTITUTES WILL DECERTIFY THE SYSTEM AND MAY PUT YOUR SAFETY AT RISK.**

❖ **WARNING: DO NOT REPLACE THE DECORATIVE GRILL FROM THE FO-F2 WITH ANY OTHER TYPE OR STYLE OF DECORATIVE GRILL OR SHUTTERS. DO NOT BLOCK AIR FLOW IN FRONT OF THE DECORATIVE GRILL. YOU MUST ALLOW FREE AIR MOVEMENT.**

❖ **WARNING: TWO GRAVITY VENTS (FO-V2) MUST BE INSTALLED ON THE FIREPLACE WHEN INSTALLING THE CLEAN FACE KIT.**

INSTALLATION

1. Plan the intake duct run first. Remember that the maximum duct length from the outer casing of the fireplace to the inlet is 5 feet. There is no maximum number of bends in a run, just make sure that there are no tight bends that would prevent airflow. Passing through a wall requires no clearance since the air in the duct is room temperature.
 2. The decorative grill adapter is designed to be installed on top of the drywall. Make a 10 ½" x 10 ½" opening for the installation of the decorative grill adapter. We recommend that the hole be framed for a more sturdy installation, but you can also use gypsum anchors behind the decorative grill adapter to secure the four screws. Do not install the adapter yet, but leave it close by.
 3. The intake duct can be attached to either the left or the back of the Delta2 fireplace or to the left of the Focus 320, Onyx2, Opel2 and Opel3 fireplace. Start by removing the knockout on the correct side of the fireplace (see Figure 1). Bend out the four tabs to 90°.
 4. Use the intake air starter (the ring with a bead) to cut through the insulation by turning it back and forth while pushing against the insulation. Remove the cut insulation.
- ♦ **NOTE:** If you are installing the intake air on the side of a Delta2 fireplace, you will have to lengthen the intake air starter with the starter extension (the ring without any bead). Insert the starter extension inside the intake air starter so that it is completely over the starter extension. Continue the installation of this intake air starter with the extension towards the fireplace.
5. Install the intake duct on the intake air starter. Using three of the self-tapping screws with three flat washers provided, screw through the flexible duct to attach it to the intake air starter (including the starter extension if you are installing a Delta2).

6. Insert the intake air starter through the fireplace casing all the way to the bead. Use three of the self-tapping screws provided to attach the intake air starter (including the starter extension if pertinent) to the three tabs with prepunched holes (see Figure 2). You can use either hole on the top tab.
7. Extend the intake duct as desired, up to the 5' maximum.
8. Pull the intake duct out of the framed hole at the inlet location. Install the intake duct on the decorative grill adapter. The duct goes over the round sleeve on the unpainted side. Use three of the self-tapping screws with three flat washers provided to attach the intake duct to the decorative grill adapter.
9. Place the decorative grill adapter in the framed hole. Install the decorative grill and attach both the adapter and the grill with the black screws provided.

◆ **NOTE:** Before continuing, make sure to write down the serial number of your fireplace. It is marked on the listing label that is located on the floor of your fireplace, below the floor shield under the firebox. It is also on the owner's manual bag. The serial number will be necessary for any warranty coverage. It will also help you get the correct parts when ordering any replacement parts.

The kit provides four plates to cover the louver openings:

- **For a Delta2 installation:** all plates are required as shown in Figure 3. You will need to break the two double plates into two pieces each (B-C and D-E). Simply bend them back and forth a couple of times and they will break apart. If you intend on using the Rock Retainer Kit (FO-KD2), please skip the installation of plates A, C, D and E since the rock retainer kit provides its own integrated plates for those louver openings.

Please take note that the top right plate (C) provides access to the air control located behind the right side top louver opening. It is important that the finishing which covers this area be installed in such a way that it can be removed easily, if necessary, such as one big ceramic tile.

- **For a Focus 320 and Onyx2 installation:** only the two double plates are necessary as shown in Figure 4. Do not break the double plates apart. Make sure to install the D-E double plate as shown in Figure 4, with the shallowest notch for the air control handle. If you intend on using the Rock Retainer Kit (FO-KN), please do not install any of the plates since the rock retainer kit provides its own integrated plates for both louver openings.

Please take note that the top double plate (B-C) provides access to the air control located behind the right side top louver opening. It is important that the finishing which covers this area be installed in such a way that it can be removed easily, if necessary.

- **For an Opel2 and Opel3 installation:** only the two double plates are necessary as shown in Figure 5. You will need to break the double plate with no notches (B-C) in two pieces. Simply bend it back and forth a couple of times and it will break apart. Make sure to install the smallest plate (C) on the right side as shown in Figure 5 because it provides access to the air control behind the louver opening. Do not break the other double plate (D-E) apart. Make sure to install the D-E plate as shown in Figure 5, with the deepest notch for the air control handle. If you intend on using the Rock Retainer Kit (FO-KP3), please do not install any of the plates since the rock retainer kit provides its own integrated plates for both louver openings.

Please take note that the top right plate (C) provides access to the air control located behind the right side top louver opening. It is important that the finishing which covers this area be installed in such a way that it can be removed easily, if necessary, such as one big ceramic tile.

10. Using the self-tapping screws provided, install all necessary plates as shown in Figure 3 for a Delta2, in Figure 4 for a Focus 320 or Onyx2 and in Figure 5 for an Opel2 or Opel3 fireplace.

Do not forget to install both gravity vent kits to complete your clean face installation.

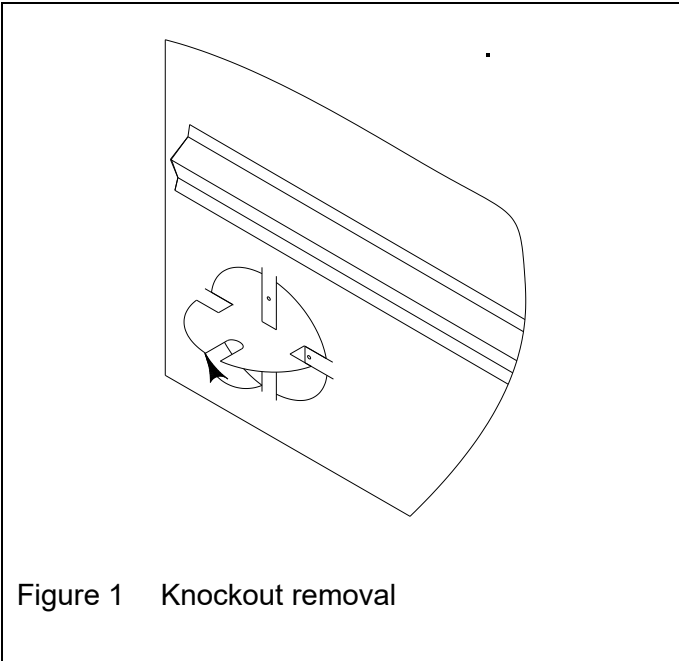


Figure 1 Knockout removal

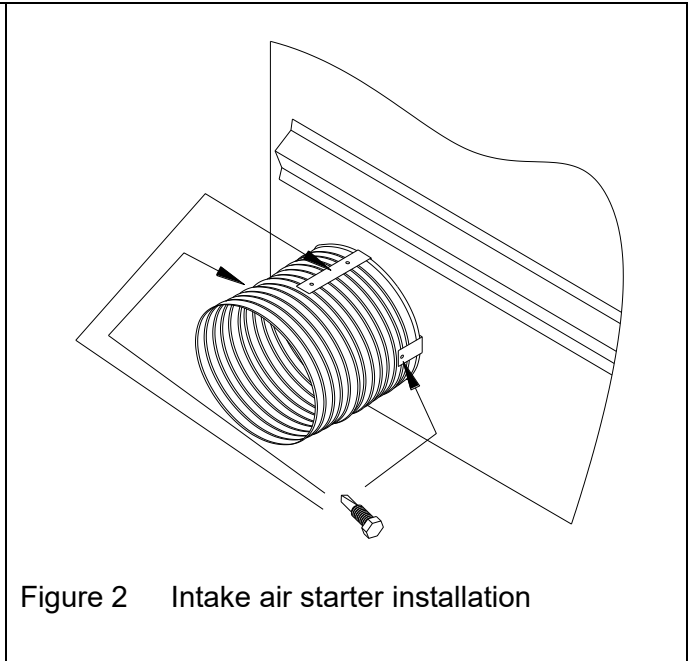


Figure 2 Intake air starter installation

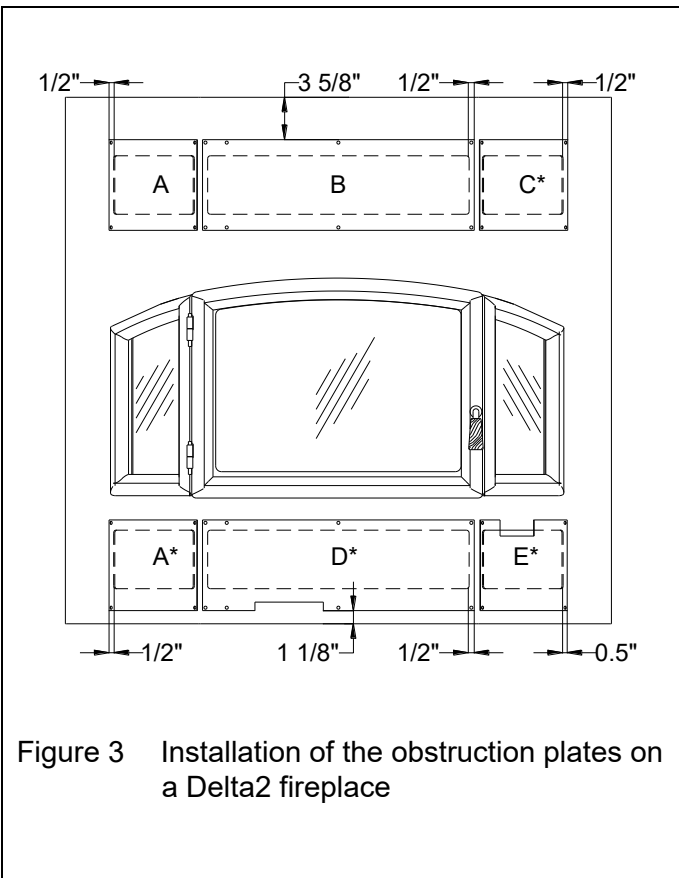


Figure 3 Installation of the obstruction plates on a Delta2 fireplace

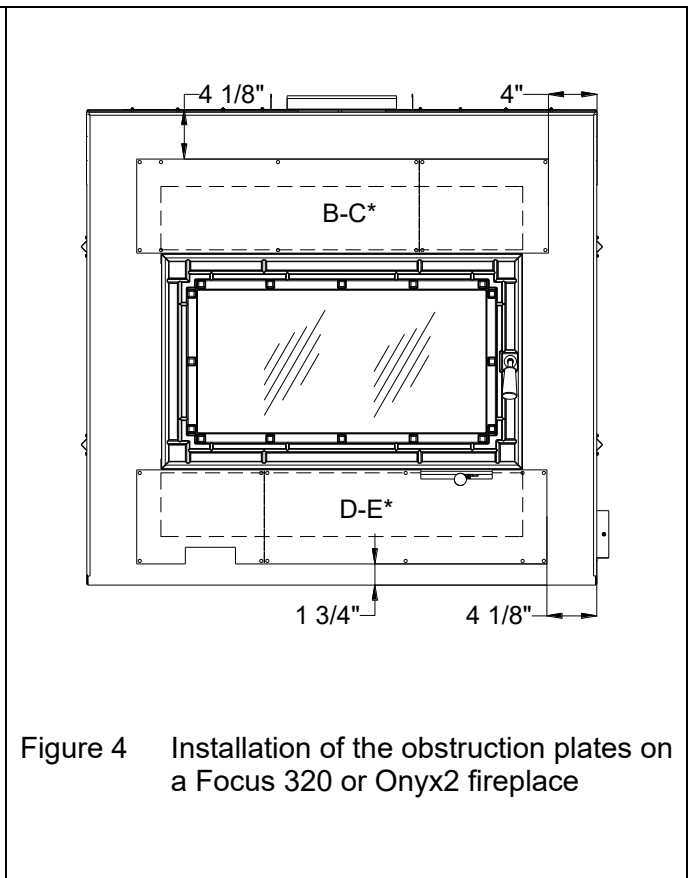


Figure 4 Installation of the obstruction plates on a Focus 320 or Onyx2 fireplace

* Do not install these plates if you intend on using the Rock Retainer Kit (FO-KD2 for the Delta2, FO-KN for the Focus 320 or Onyx2, or FO-KP3 for the Opel2 or the Opel3).

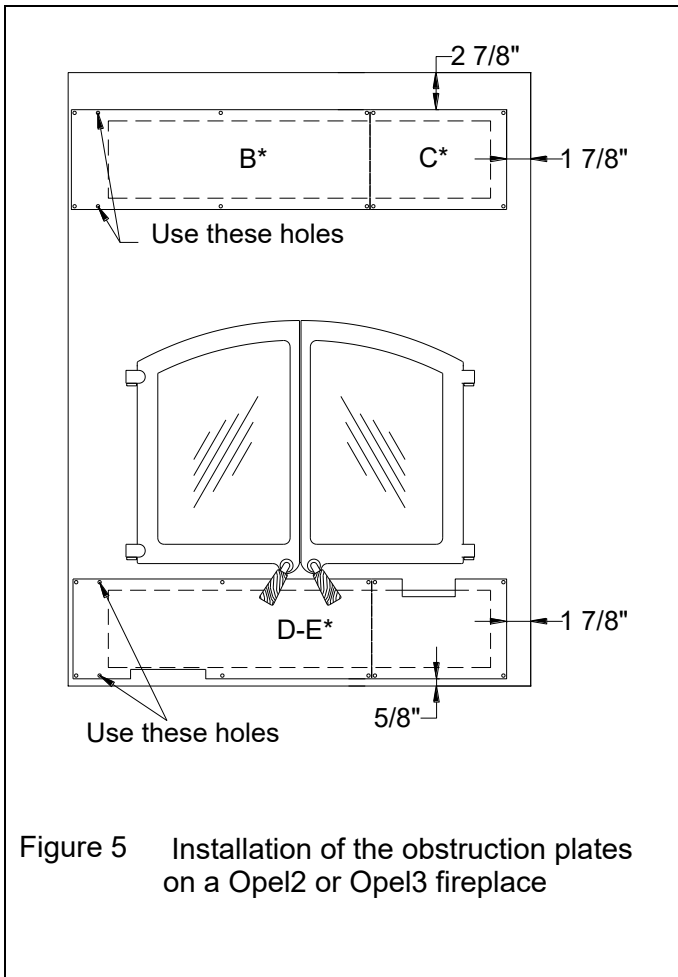


Figure 5 Installation of the obstruction plates on a Opel2 or Opel3 fireplace

* Do not install these plates if you intend on using the Rock Retainer Kit (FO-KD2 for the Delta2, FO-KN for the Focus 320 or Onyx2, or FO-KP3 for the Opel2 or the Opel3).

Check List:

- 1 Decorative grill adapter (FO-F2-A01)
- 1 GDecorative grill (FO-V2-D02)
- 1 Intake air starter (FO-F2-D04)
- 1 Starter extension (FO-F2-D05)
- 2 Obstruction plates "A" (FO-F2-D06)
- 1 Double obstruction plate "B-C" (FO-F2-D07)
- 1 Double obstruction plate "D-E" (FO-F2-D08)
- 1 Aluminium flexible duct (979025)
- 1 Bag containing 40 self-tapping screws #8-3/4" (901015), 6 flat washers 3/4" (904005) and 4 black screws 1 1/4" (903001)

Instructions and check list



INITIALS