

RSF
WOODBURNING FIREPLACES



Experience the calming beauty of
RSF fireplaces and the real wood fire.

Nothing can replace the warm embrace of a real wood fire. A wood fire gives off a special kind of warmth that penetrates and soothes. It's true that burning wood in your fireplace isn't as convenient as burning gas. But like all of life's best things, that little extra effort makes a world of difference.

Just like Sunday dinner doesn't come out of a can and fine wine doesn't come out of a box, a real fire doesn't come out of a pipeline.

If it's a real fire...it's wood. And if it's a clean burning efficient wood fire... it's probably an RSF fireplace.

So come in, relax, kick off your shoes and leave your frantic life at the door. Experience the calming beauty of RSF fireplaces and the real wood fire.



RSF is a proud supporting member of:





“ Just like Sunday dinner
doesn't come out of a can
and fine wine doesn't come
out of a box, a real fire doesn't
come out of a pipeline. ”





Contents

The RSF Built-in Advantage	6
The RSF Comfort Advantage	7
The RSF Smart BurnRate Air Control	8
Catalytic or Non-Catalytic Series: Choosing What's Right for You	9
Focus 3600 Fireplace	10
Pearl 3600 Fireplace	12
Focus SBR Fireplace	14
Opel Keystone Catalytic Fireplace	18
Opel 2 Plus Catalytic Fireplace	20
Opel 3 Plus Catalytic Fireplace	24
Focus ST Fireplace	28
Chimney Safety and Performance	30
RSF Convenience	31
RSF Heat Distribution	32
RSF Performance	34
RSF Accessories	35
Technical Specifications	36
Burning Wood in an RSF Fireplace is Good for the Environment	43

THE RSF

Built-in Advantage

A fireplace is one of the most sought after features in a home and will increase its resale value more than a freestanding wood stove. RSF wood-burning fireplaces perform like wood stoves, but provide the aesthetic appeal of a fireplace.

Consider for a moment the comfort and beauty of a real wood-burning fireplace. A warm hearth welcomes family and friends, while the mantel displays treasured memories. That is the built-in advantage of RSF.



Focus SBR



THE RSF

Comfort Advantage

Feeling a chill? Feeling too warm?
Customize the airflow in your home.

The built-in nature of RSF fireplaces allows for configuration of ductwork and fans to move heat to other rooms. This is not only beneficial for heating areas that would otherwise be impossible to heat (e.g. basement), but it is very effective at keeping the space with the fireplace comfortable.

The RSF Comfort Advantage allows you to:

- Heat up to 3,000 square feet
- Use ductwork and fans to move heat to other rooms
- Heat the basement from the living room
- Use a thermostat to automatically move heat away when it gets too hot

icc-rsf.com/RSFComfortVideo

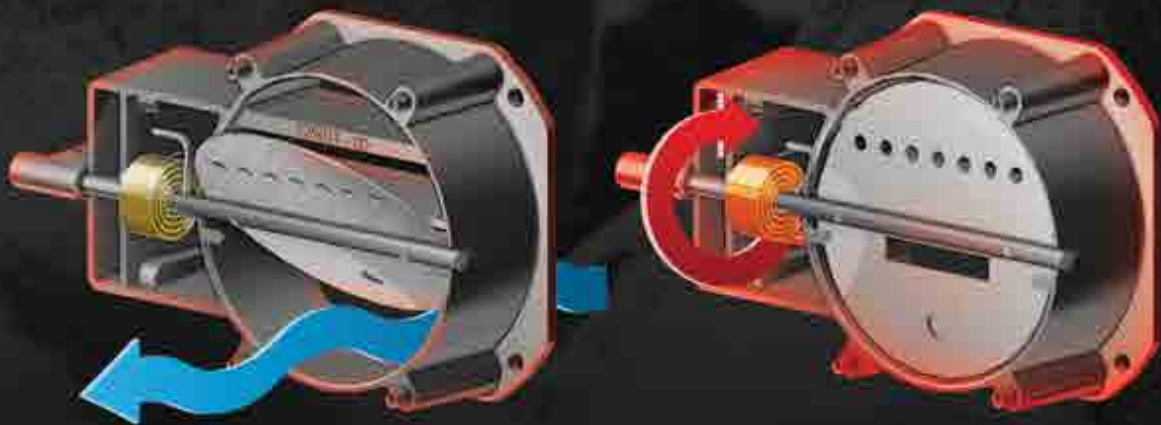
THE RSF

Smart BurnRate

AIR CONTROL

You've probably experienced a beautiful and hypnotic wood fire flame. This happens when just the right amount of air flows into a wood fireplace or stove. We call it the "sweet spot". Not only is it beautiful to watch, but it's also incredibly efficient and clean burning.

Exclusive to RSF, the heat-activated **Smart BurnRate (SBR)** air control system balances the fireplace's burn rate to optimize combustion and keep it in the sweet spot. The user controls the length of the burn time, less wood for a short burn or more wood for longer burns. As the fireplace heats up, the SBR restricts air flow without user input or electricity. It's always ready in a power outage, and an RSF unit with the SBR system will consume up to half the amount of wood in the first two hours as a conventional stove.



Air flows freely to fuel the fire for combustion

As the fireplace heats up, the SBR restricts air flow

icc-rsf.com/SBR_video

Choosing what's right for you

At RSF Fireplaces we produce some of the world's cleanest burning wood fireplaces while maintaining the beauty of a big, bold fire. We achieve clean burning fires using different technologies.

**When choosing what is right for you,
look for these quick reference symbols.**



Smart BurnRate

Is a heat-activated (non-catalytic) air control system which balances air flow, optimizing combustion of the fireplace's burn rate.



Catalytic

Uses a catalyst to burn off harmful emissions and to improve efficiency.



Non-Catalytic

Uses a secondary burn system for beautiful fires and low emissions.



Focus 3600

fireplace

Available in Canada only.
Temporarily unavailable for sale in the USA while pending EPA certification.

Power and performance in a small package. At 2.04 cubic feet, the firebox of the Focus 3600 is the same size as the average wood stove, except it takes up less floor space and has a contemporary, built-in design. Despite its compact size, the Focus 3600 offers a large viewing space and generates an impressive amount of heat. With such a small footprint, the Focus not only saves space in the home, but it can be installed virtually anywhere.

“ The Focus 3600’s versatile size, large viewing space, 1.7 gr/h emissions and high efficiency make it ideal for retrofits and new installations alike. ”



CERTIFIED FOR
MANUFACTURED/MOBILE HOMES





Secondary air tubes make flames dance as they burn off harmful emissions.



Pearl 3600

fireplace

Available in Canada only.
Temporarily unavailable for sale in the USA while pending EPA certification.

The Pearl 3600 is crafted with the perfect combination of refined, yet rustic styling. Renowned for quality construction and market leading performance, the Pearl is certified at 1.7g/hr, takes 6" EXCEL chimney and can be outfitted with options to move excess heat throughout the home. Like all RSF fireplaces, the Pearl is built to last a lifetime.

“ The heat that comes from wood is comforting to the body and soothing to the spirit in a way that cannot be duplicated by any other heat source but the sun. ”



CERTIFIED FOR
MANUFACTURED/MOBILE HOMES







Focus SBR

fireplace

With the Smart BurnRate system now built-in, the Focus SBR beats the toughest emissions regulations in North America. It is EPA certified at 1.4 g/hr, 44% cleaner than EPA 2020 requirements. Everyone benefits from the air-infused easy light-up, followed by tons of heat, clean combustion, and beautiful lazy flames.

- EPA 2020 certified at 1.4 g/hr
- Smart BurnRate system (non-catalytic)
- Heats upwards of 2,000 square feet
- Optional: 635cfm central heating blower

“ At RSF we’re engineering wood fireplaces for tomorrow, today ”



CERTIFIED FOR
MANUFACTURED/MOBILE HOMES





The RSF
Smart  **BurnRate**
Air Control



Air flows freely to fuel the fire for combustion



As the fireplace heats up, the SBR restricts air flow





Focus SBR with decorative surround



Opel Keystone

catalytic fireplace

Opel Keystone Plus Fireplace

As part of the growing Opel family, the Keystone is the result of fine craftsmanship, inspired by versatility and built on more than 30 years' of proven performance with high efficiency wood-burning fireplaces.

The Keystone name comes from the interchangeable keystone facing that is offered either as a semi-clean look or as a full faceplate, adding modern sophistication and design choices to any mid-sized space.

Low Emissions – High Performance

- One fireplace, two looks:
 - Semi-clean face option (requires two gravity vents for heat output)
 - Full Keystone facing for maximum impact
- EPA Certified to comply with 2020 particulate emission standards at 0.7 g/hr.
- Optional: 635cfm central heating blower
- Large 3.6 cubic feet firebox allowing overnight burns.
- BTU Output range 10,000 to 70,000
- Heating capacity up to 3000 ft²



Shown with the top Keystone louver installed







Opel 2 Plus

catalytic fireplace

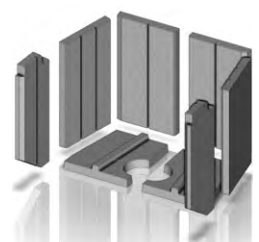
Opel 2 Plus Fireplace

The Opel Plus is a catalytic fireplace available with either single or double cast iron door options. It is an ultra-high efficiency fireplace, with a 3000ft² heating capacity. It is made to keep your family warm.

The Opel Plus series has taken the Opel family of fireplaces to the next level. EPA certified at 0.7g/hr makes the Opel Plus one of the most advanced and cleanest units available on the market today, yet it still maintains its classic styling. In the past, *Popular Science Magazine* has recommended the Opel for its efficiency and reduction of emissions. Over the years this technology has only improved and been refined to make the Opel Plus what it is today.

Catalytic Opel

- EPA Certified to comply with 2020 particulate emission standards at 0.7 g/hr.
- Optional: 635cfm central heating blower
- Large 3.6 cubic feet firebox allowing overnight burns
- BTU Output range 10,000 to 70,000
- Heating capacity up to 3000 ft²







Opel 2



Opel 2





Opel 3 Plus

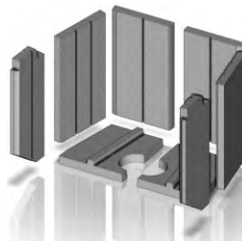
catalytic fireplace



Clean face installation with decorative trim



Clean face installation with no trim



Catalytic combustion is beautiful, clean and efficient.





Opel 3 Plus





Focus See-Thru

fireplace

The Focus ST is designed to share warmth and light with multiple areas of your home. It is the perfect choice if you are looking for a see-thru fireplace that is clean burning and efficient.

“ When all else fails, you can count on a real wood fire. Without heat, an emergency becomes a disaster, but with an RSF fireplace and a few candles, you’ll turn it into a family adventure. When storms rage and the power lines go down, your family will be warm, cozy and safe around a real wood fire. ”



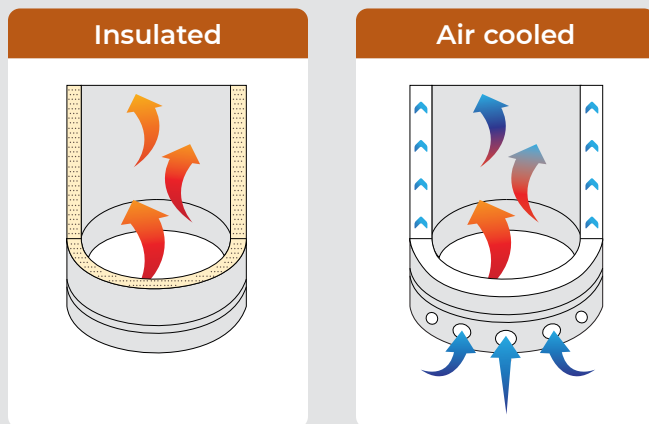


Chimney Safety and Performance

Choosing the wrong chimney can adversely affect the safety and performance of your high efficiency fireplace.

Air cooled chimneys were designed for open wood-burning fireplaces. Since open fireplaces produce very little heat, air cooled chimneys are not required to undergo severe chimney fire testing. These chimneys have no insulation; they stay cool by circulating cold air past the inner flue. As a result, the flue is cooler than with an insulated chimney resulting in reduced draft and a greater chance of creosote formation. They are used on most entry level "builder box" fireplaces so they are usually constructed of the cheapest materials UL Standards allow.

Insulated chimneys were designed for wood stoves. Stoves can produce high flue gas temperatures and large amounts of creosote which can cause chimney fires. Stove chimneys are certified to much tougher safety standards which require the chimney system to withstand repeated 2100°F chimney fires. They utilize high temperature insulation and superior stainless steel making them much more expensive to build. They warm up quickly and are less likely to accumulate creosote.



High efficiency fireplaces are wood stoves with cabinets around them to keep the outside of the cabinet cool and circulate the stove's heat into the room. They warm up faster, draw better and form less creosote when they are installed with an insulated chimney. That's why RSF Fireplaces are only approved with Excel insulated chimney, which passes ULC S-629M, the most stringent chimney safety standard in North America.

Insulated chimneys are far superior in cold climates. Air cooled chimneys circulate air past the flue continuously so in cold weather the chimney is very cold, which can cause condensation to form when the fireplace isn't burning. This condensation can trickle down the system gathering on top of the fireplace. Air cooled chimneys were never designed for extreme temperatures. But don't take our word for it. Here is what one of our competitors, a manufacturer of both systems, warns about air cooled chimneys:

“ In areas where winter temperatures are normally below freezing, the air cooled chimney may produce condensation. This condensation may corrode the top of the fireplace and is not covered under warranty. For optimum performance of your fireplace, (we) recommend the use of a (packed chimney)... ”

RSF Fireplaces refuses to sacrifice performance and chimney fire protection to save a few dollars on the chimney. We believe superior products offer superior results in durability, performance, and most of all safety.

Some high performance fireplaces are only available with air cooled chimney. It doesn't make sense to connect a high performance fireplace to a low performance chimney system so:

Before you buy a high efficiency fireplace make sure it is available with an insulated chimney.

RSF Convenience



Unlike conventional wood units, RSF fireplaces burn for many hours on a single load of wood, so you can enjoy the beauty of a real wood fire without the hassle of hauling wood and tending to the fire all of the time.



RSF fireplaces produce virtually no creosote and very few ashes so you won't need to clean the fireplace, or the chimney, very often.



The air-wash system on every RSF fireplace is designed to keep the glass clean under normal operating conditions.



Refractory Bricks – Custom molded refractory bricks are far superior to regular firebrick in appearance and durability. Each brick is reinforced with stainless steel pins to increase durability and act as rebar.



Steel – Heavy gauge steel is used in all of our fireplaces, making RSF units some of the heaviest on the market. Great for long-term durability and for building up the muscles of installers.



Insulation – Specially formulated rockwool insulation envelops each fireplace to ensure it will be safe to operate at even the most extreme temperatures.



Ceramic Glass – Used for space shuttles and cooking ranges, ceramic glass is virtually impervious to damage from heat. It offers a beautiful view of the fire as it heats your home.



Warranty – 30 year coverage on all RSF fireplaces.

30 Year Limited Warranty

All RSF wood-burning fireplaces are covered by a comprehensive 30-year warranty. Please ask your RSF dealer for a complete copy of the warranty.

“We built it better so we back it better”

RSF Heat Distribution

Central heating capabilities

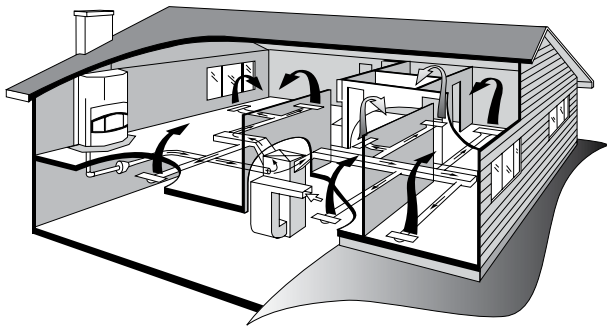
The central heating option enables RSF fireplaces to be ducted in any direction, including down into a level below the fireplace. The ducting from an RSF fireplace can be set up a number of different ways:

- You can run a single duct from your RSF fireplace to a cool room on any level of your home and use a thermostat in that room to turn on the blower when the room requires heat.
- You can locate the thermostat in the same room as the fireplace and use it to turn on the blower and move the heat to another area of the house when the room with the fireplace gets too warm.

RSF's unique bi-metallic air control automatically adjusts the burn rate of the fire to compensate for the additional output required to supply your central heating system.

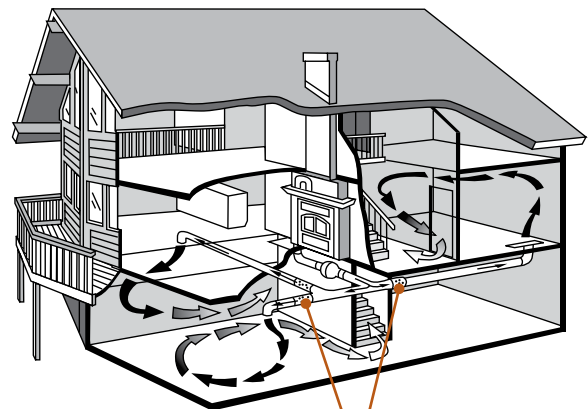
Central Heating

A duct can be run from the fireplace into the central heating furnace ductwork that enables the heat from the fireplace to be distributed evenly throughout the home. See diagram below. Options FDHB6-1 and FDHC6.



Zone Heating

Ducting can be installed for up to four separate zones in your home and each zone can be controlled individually using our zone heating control and zone definition kit. See diagram below. Options FDHB6-1, FDHCZ1 and FDHCZ2.



Gravity Vent Kits



All fireplaces can be installed with up to two optional Gravity Vent Kits. Gravity Vent Kits allow you to duct heat from the fireplace to a room above or on the same level as the fireplace. Clean Face models require two Gravity Vent Kits.



- Rectangular Gravity Vent Kit (FO-V3) this kit comes with a 9 ½" x 6" decorative rectangular grill vent.



- Universal Gravity Vent Kit (FO-V2) this kit comes with a 13" x 13" decorative square grill vent.



- Contemporary Grill (FO-VGC) measures 13" x 13" and fits the FO-V2 Gravity Vent Kit.

Heat Dump Kit



The Heat Dump Kit uses a 180 cfm fan to direct a moderate amount of warm air from the fireplace to another room. It has a maximum run of 8 ft. and is most often used to provide supplemental heating to a basement room when the fireplace is on the main floor.

Clean Facing Kit



The Clean Facing Kit consists of an intake grill and boot, a five foot length of flexible aluminum duct and a sleeve to connect the duct to the fireplace.

Inline Fan

The Inline Fan can be installed behind the intake grill of the Clean Facing Kit to provide increased air circulation.

Internal Blower



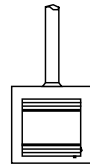
Optional Internal Blowers will improve air circulation around the firebox and help blend the warm and cool air in the room, making it feel more comfortable.

Central Heating Blower

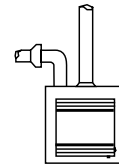


An optional 635 cfm external blower can be used to circulate the heat from the fireplace in any direction. The kit includes a 5 ft. length of acoustic ducting, a variable speed control, a mounting bracket and a back draft damper. Can be installed on the left side only.

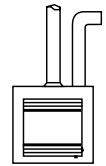
Ducting Options



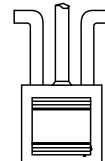
No Ducting



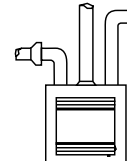
Central Heating Duct Kit



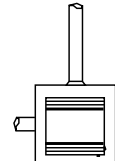
Gravity Vent Kit



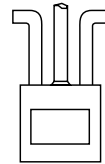
2 Gravity Vent Kits



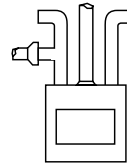
1 Gravity Vent Kit
Central Heating Duct Kit



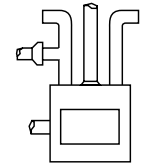
1 Heat Dump Kit



Clean Face Basic



Clean Face with
Central Heat



Clean Face with Central
Heat and Heat Dump

RSF Performance



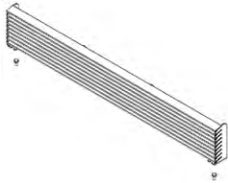
Bi-metallic Air Control

RSF has incorporated a unique bi-metal damper into their large firebox Opel and Focus SBR fireplaces which works like a thermostat on your furnace delivering unsurpassed temperature controlled heat to your living space. Conventional air controlled fireplaces have fixed air controls which burn up to 50% of their wood load in the first 2 hours of their burn cycle. That means excessive heat for the first two hours, and little heat for the next eight.

RSF's bi-metal damper senses the temperature in the heat exchanger automatically reducing the air setting at the start of the burn cycle and opens at the end, delivering even temperature controlled heat throughout the burn cycle. The bi-metal damper also adjusts to the heating demands of your home automatically burning more wood on a cold winter night and less on a late spring evening, yet always delivering the same temperature controlled heat to your living space. RSF's unique bi-metal damper is just one of the reasons RSF fireplaces have earned the coveted *Popular Science Choice*.

RSF Accessories

Louvers



Louvers are a finishing option offered with some RSF Fireplace units. Various decorative grills may also be available depending on the model.

Rock Retainer Kit



The rock retainer kit is a trim assembly designed to permit the metal fireplace face to be neatly and easily covered with a thin non-combustible material such as sliced brick, tile, stone veneer or marble.

Gas Conversion Option

It is possible to drill out some fireplaces to accommodate the installation of an aftermarket gas log assembly (refer to the Technical Specifications page). You may not install a gas log lighter in any RSF fireplace because the high firebox temperatures will burn out the log lighter very quickly.

Finishing



The metal front on many RSF fireplaces can be covered with any non-combustible material. Select models also allow for the louver opening to be covered if two gravity vents are installed and a Clean Face Kit is used.

It is also possible to install a soldier course of brick to partially cover the top louver as long as 100 in² of opening remains for air circulation.

Masonry Chimney Adapter

All RSF fireplaces are approved to be installed into a masonry chimney. The installation requires an RSF chimney adapter and a stainless steel chimney liner. **The installation requirements are specific, please be sure to carefully read the installation instructions for the model that you select before constructing your chimney.**



Technical Specifications

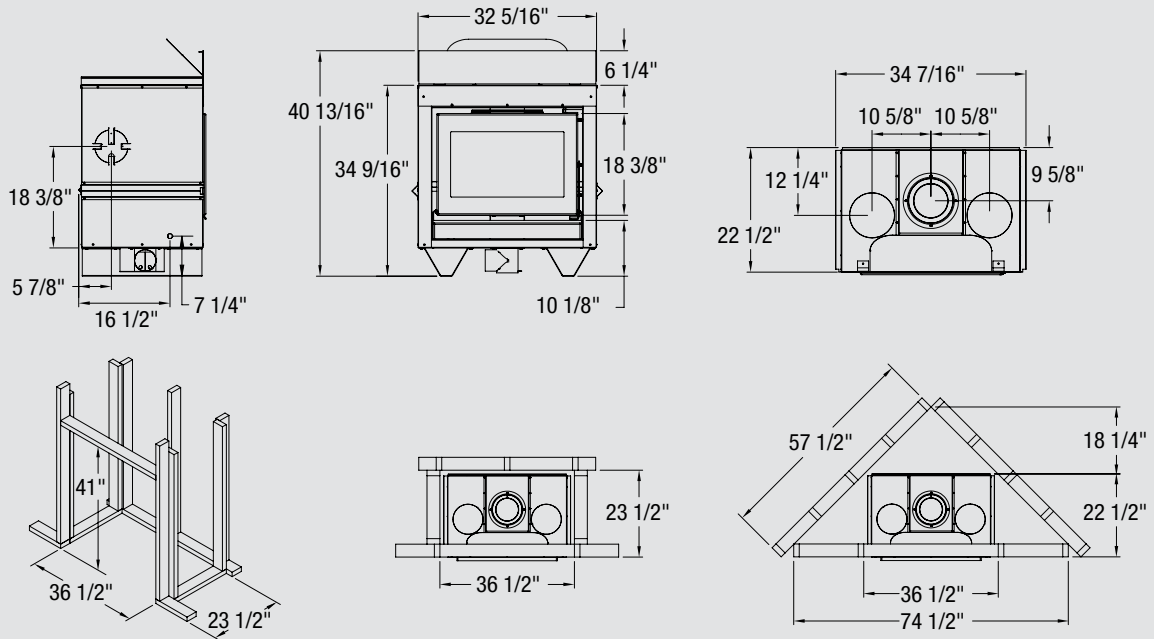
	Focus 3600	Pearl 3600	Focus SBR	Opel 2 & 3 Plus	Opel Keystone	Focus ST
Outside Dimensions (W x H x D)	34 7/16" x 40 13/16" x 22 1/2"	36 5/8" x 38 11/16" x 24 1/8"	45" x 44 1/4" x 24"	37" x 52 1/4" x 24"	37" x 52 1/4" x 24"	37 1/4" x 45 1/4" x 21 3/4"
Crated Weight	398 lb	455 lb	562 lb	553 lb	605 lb	600 lb
EPA Firewood Length	pending	pending	Tested with 14" logs	Tested with 15.75" logs	Tested with 15.75" logs	EPA not applicable ¹¹
Maximum Firewood Length	Can accept up to 18" logs	Can accept up to 18" logs	Can accept up to 22" logs	Can accept up to 18" logs	Can accept up to 18" logs	Can accept up to 20" logs
Firebox Size¹	2.04 cubic feet	2.04 cubic feet	2.6 cubic feet	3.6 cubic feet	3.6 cubic feet	4.1 cubic feet
BTU Output²	19,077 BTU/h	19,077 BTU/h	22,563 BTU/h	27,034 BTU/h	27,034 BTU/h	N/A
BTU Maximum³	50,000 BTU/h	50,000 BTU/h	50,000 BTU/h	70,000 BTU/h	70,000 BTU/h	50,000 BTU/h
Heating Capacity⁴	1500 ft ²	1500 ft ²	1,000 to 2,000 ft ²	1,500 to 3,000 ft ²	1,500 to 3,000 ft ²	1,000 ft ²
EPA Certification	pending	pending	1.4 g/hr	0.7 g/hr	0.7 g/hr	EPA not applicable ¹¹
Optimal Efficiency⁵	79% (LHV)	79% (LHV)	75% (LHV)	80% (LHV)	80% (LHV)	N/A
EPA Average Efficiency⁶	pending	pending	66% (HHV)	70% (HHV)	70% (HHV)	EPA not applicable ¹¹
EPA Average CO⁷	pending	pending	1.5 g/min	0.58 g/min	0.58 g/min	EPA not applicable ¹¹
Chimney	6" Excel	6" Excel	7" Excel	7" Excel	7" Excel	8" Excel
Door Finish	Metallic Black	Metallic Black	Metallic Black	Metallic Black	Metallic Black	Metallic Black
Decorative Trims	Straight trim: FO-F3600ST Frame trim: FO-F3600FT	N/A	N/A	Opel2: N/A Opel3: PDTB, PDTG, PDTP	N/A	N/A
Louver or Grill Options	N/A	Black Decorative Faceplate included	Black Louvers (FO-F320SBRLB) Not included	Black, Pewter or Gold Plated Louvers or Decorative Grills ¹¹	Top Keystone Louver - FO-OPLK	Black Louvers included
Ash Pan	N/A	N/A	N/A	FO-AP ¹⁰	FO-AP ¹⁰	N/A
Gravity Vent Kit	FO-V2	FO-V2	FO-V2	FO-V2	FO-V2	FO-V2
Rectangular Gravity Vent Kit	FO-V3	FO-V3	FO-V3	FO-V3	FO-V3	FO-V3
Gravity Vent Damper	N/A	N/A	N/A	FO-D ¹⁰	N/A	N/A
Contemporary Grill	FO-VGC	FO-VGC	FO-VGC	FO-VGC	FO-VGC	FO-VGC
Heat Dump	FO-HD	FO-HD	FO-HD	FO-HD	FO-HD	N/A
Internal Blower	FO-HB9	FO-HB9	FO-HB9 ¹⁰	FO-HB9 ¹⁰	FO-HB9	N/A
Central Heating Blower 635cfm	N/A	N/A	FO-FDHB6-1	FO-FDHB6-1	FO-FDHB6-1	N/A
Central Heating Control	N/A	N/A	FO-FDHC6	FO-FDHC6	FO-FDHC6	N/A
Central Heating Tee	N/A	N/A	FO-T	FO-T	FO-T	N/A
Zone Heating Option	N/A	N/A	FO-FDHCZ1 & FO-FDHCZ2	FO-FDHCZ1 & FO-FDHCZ2	FO-FDHCZ1 & FO-FDHCZ2	N/A
Rock Retainer Kit	N/A	N/A	FO-KN	FO-KP3	FO-KK	FO-KR
Clean Facing	N/A	N/A	FO-F2 + FO-V2/V3 (2X)	FO-F3 + FO-V2/V3 (2X)	N/A	N/A
Inline Fan	N/A	N/A	FO-CIF	N/A	N/A	N/A
Gas Log Provision⁸	N/A	N/A	N/A	YES	YES	YES
Masonry Chimney Option	FO-FDM6	FO-FDM6	FO-FDM7	FO-FDM7	FO-FDM7	FO-FDM8
Outside Air⁹	4", meets R2000	4", meets R2000	4", meets R2000	4", meets R2000	4", meets R2000	4", meets R2000
Mobile Home Approved	YES	YES	YES	NO	NO	NO

note 1: Based on overall firebox dimensions, EPA official firebox dimensions are smaller.
note 2: Based on EPA certification testing using crib wood and calculations from CSA B415.1-10.
note 3: Based on engineering calculations using firebox volume, efficiency, loading density (12lb/cu ft for hardwood), average humidity, reloading interval, type of installation, etc.
note 4: Depends primarily on wood quality, ambient air temperature and building heat loss.
note 5: Low Heating Value (LHV) using CSA B415.1 calculations.
note 6: High Heating Value (HHV) using CSA B415.1 calculations.
note 7: Carbon monoxide (CO), using data generated under the best circumstances and CSA B415.1-10 calculations.

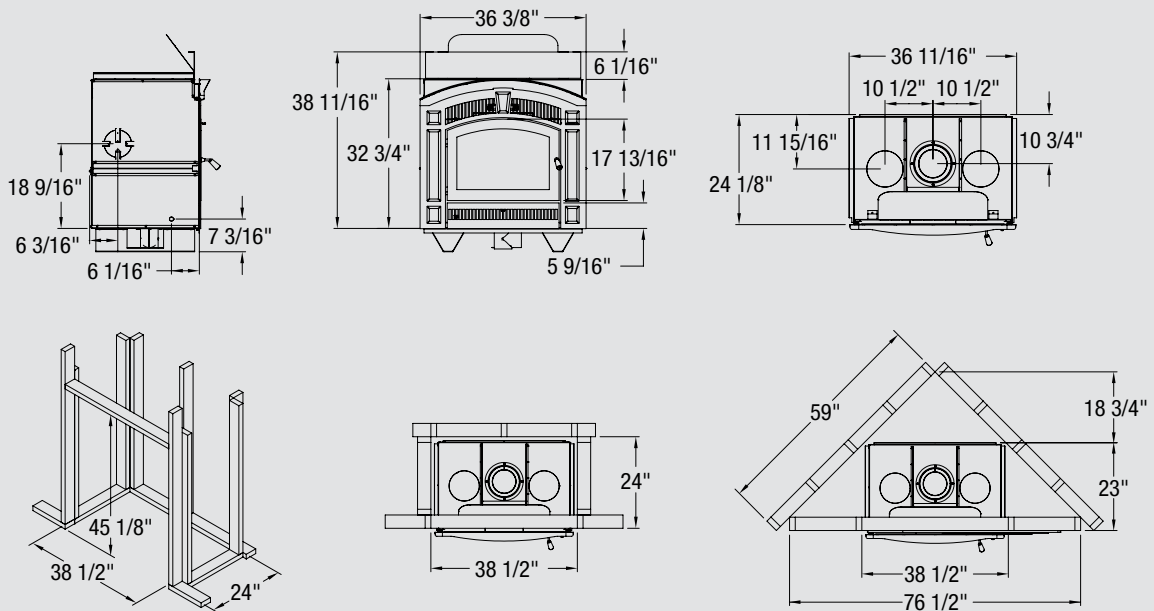
note 8: These fireplaces may be drilled out to accept an after market gas log assembly. You may not install a gas lighter in any RSF fireplace because the high firebox temperatures will burn out the log lighter very quickly.
note 9: All RSF models come equipped to accept a 4" outside air duct, a 5" can also be used. All models can also be installed to operate using room air.
note 10: N/A on fireplaces installed with the Clean Face Option.
note 11: The Focus ST can be sold in Canada and the USA as per Subpart AAA of the 2015 EPA Standards of Performance for New Residential Wood Heaters Vol. 80, No. 50.

Note: All information and dimensions provided in this brochure are for general information purposes only. You must follow the installation instructions which accompany each fireplace to ensure your particular installation is done safely and correctly. These dimensions are modified from time to time so please confirm them with the current installation instructions before construction.

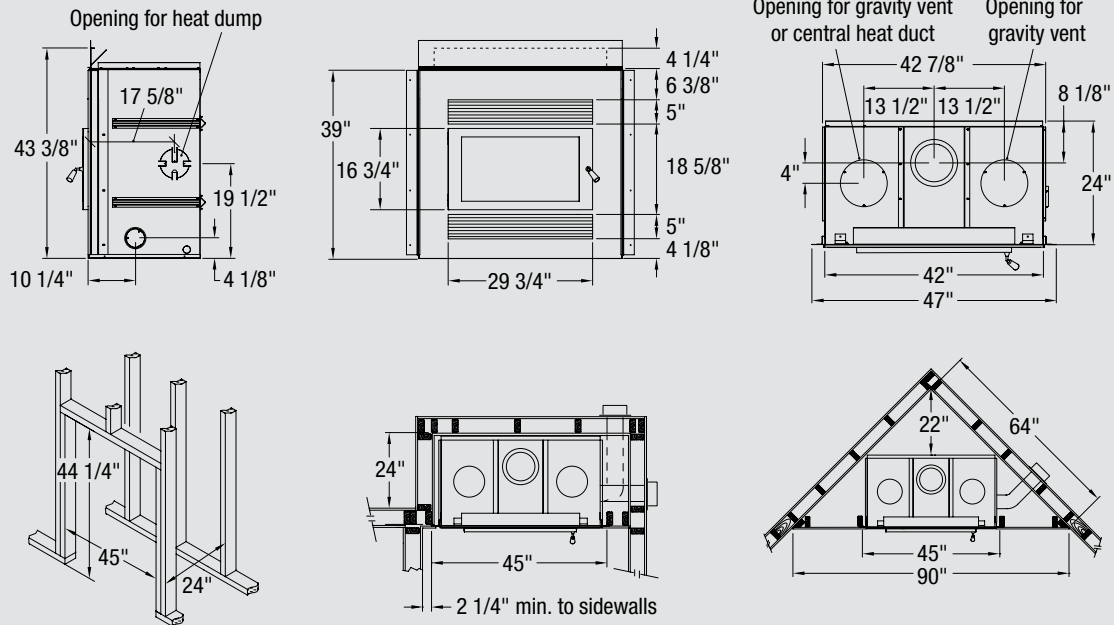
| Focus 3600 fireplace



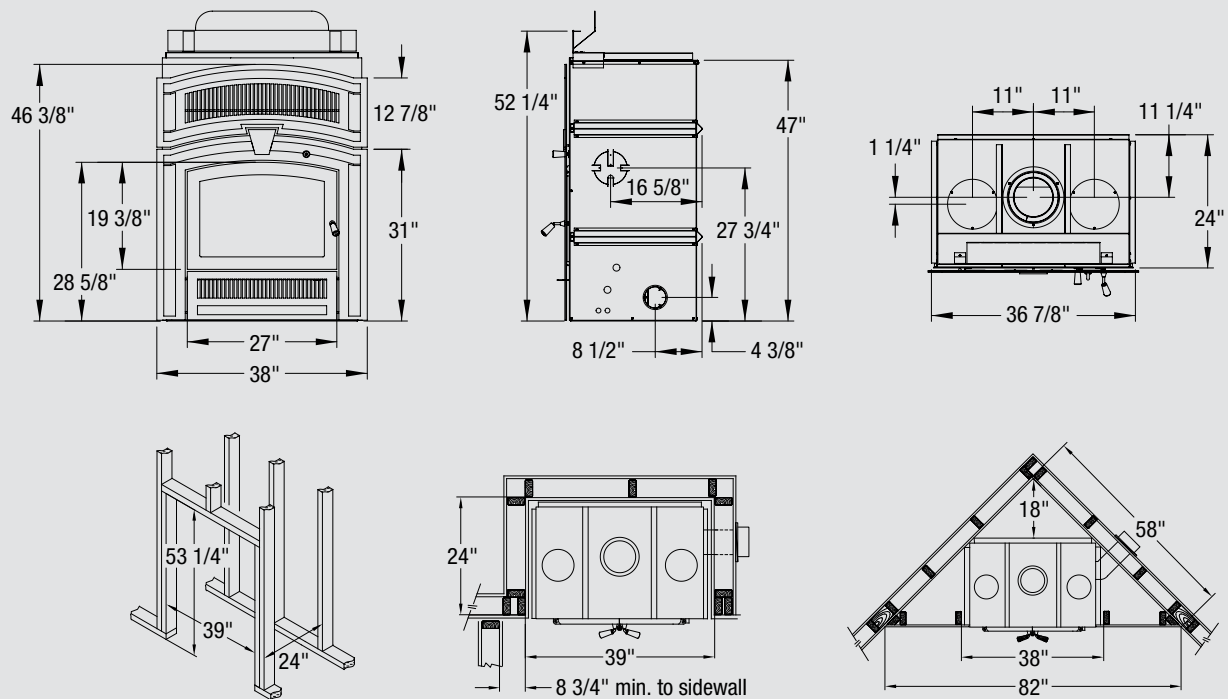
| Pearl 3600 fireplace



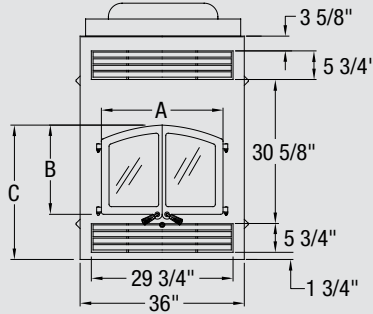
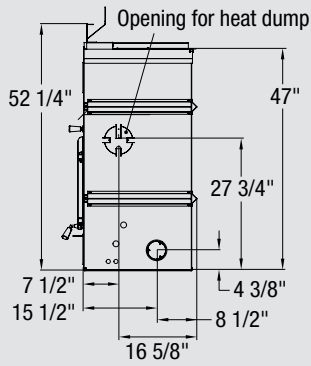
Focus SBR fireplace



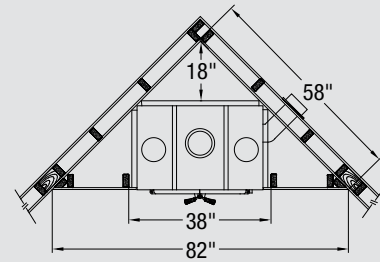
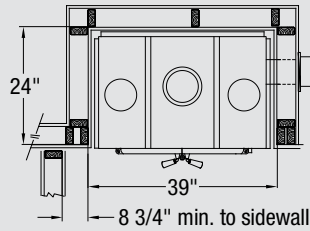
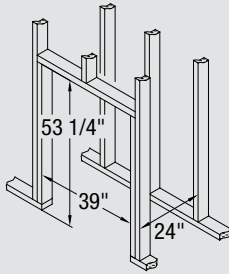
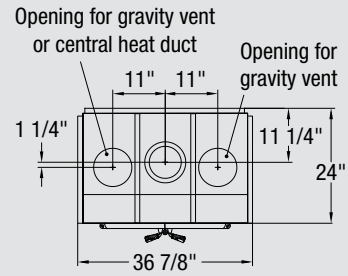
Opel Keystone catalytic fireplace



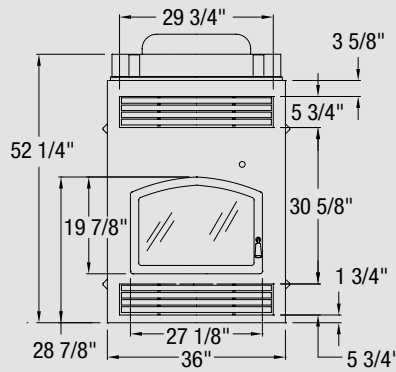
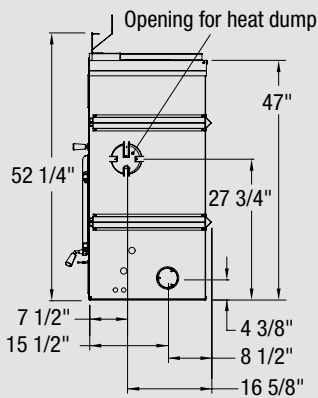
Opel 2 Plus catalytic fireplace



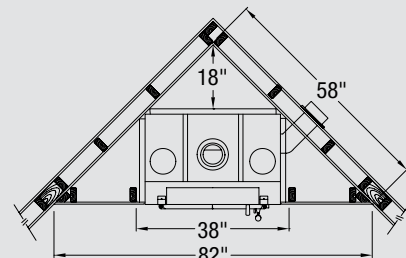
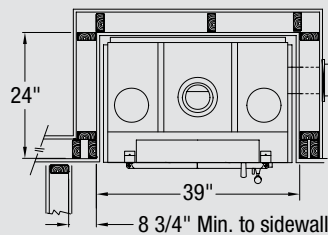
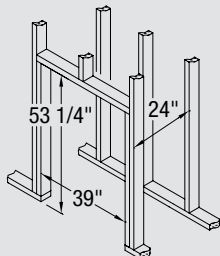
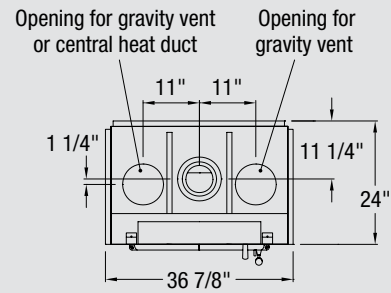
Opel 2 Plus: Opel 3 Plus:
 A = 25 1/4" A = 27 1/8"
 B = 18 7/8" B = 19 7/8"
 C = 28 1/2" C = 28 7/8"



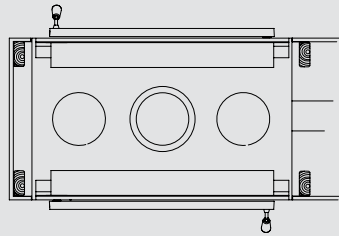
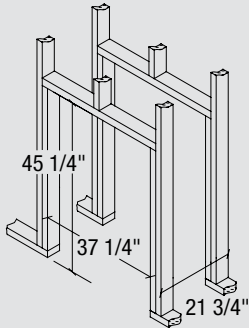
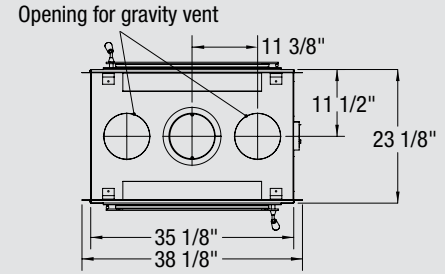
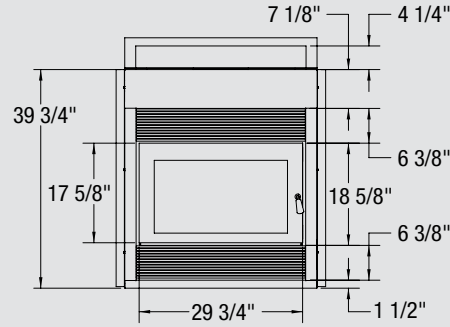
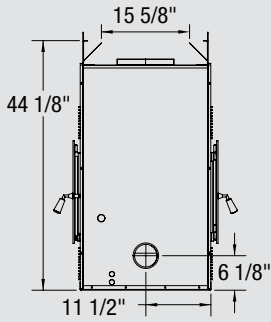
Opel 3 Plus catalytic fireplace



Opel 2 Plus: Opel 3 Plus:
 A = 25 1/4" A = 27 1/8"
 B = 18 7/8" B = 19 7/8"
 C = 28 1/2" C = 28 7/8"



Focus See-Thru fireplace

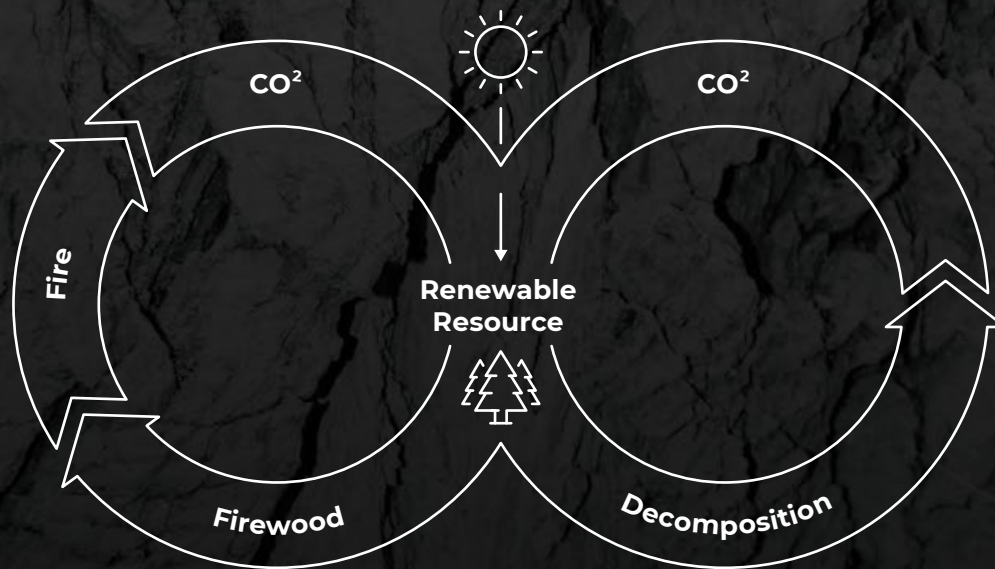




Burning wood in an RSF fireplace

is good for the environment

NATURE'S CARBON CYCLE



RSF means Renewable Solid Fuel.

Using energy from the sun, nature's carbon cycle moves from the atmosphere to the forest and back. Here is how it works: trees absorb carbon dioxide from the air as they grow using photosynthesis. In fact, about half of their dry weight is absorbed carbon. As old trees die and decay, or are consumed by a forest fire, their carbon is again released as carbon dioxide.

When firewood is used as an energy source, part of the natural carbon cycle is brought into our homes. A fire in an RSF fireplace releases the solar energy stored by the tree as it grew. A clean burning fireplace will heat your home more efficiently and with lower environmental impact than any other fuel option. Oil, gas and coal are

fossil fuels (non-renewable fuel sources). When they are burned, old carbon that was buried deep within the earth is released to the atmosphere. The rising concentration of carbon dioxide from fossil fuel use is linked to global warming, climate change and the unusual weather seen in recent years.

An RSF wood burning unit adheres to strict emissions and particulate testing. No more carbon dioxide is released than the natural forest would release if it were left untouched. Using wood for heat means less fossil fuels are burned, less greenhouse gas emissions are released, resulting in a healthier environment.



WOODBURNING FIREPLACES

A division of: Industrial Chimney Company

400 J.F. Kennedy, St. Jerome, Quebec, Canada, J7Y 4B7

Phone: (450) 565-6336 Fax: (450) 565-6519

Visit our web site for installation photos: www.icc-rsf.com

RSF-CAT_2025-04