

# **XM-EVT**

## **Universal Vinyl Siding Trim**

The Universal Vinyl Siding Trim is designed to provide a finished look on the outside wall of a home. The Vinyl Siding Trim is a universal part that can be used in combination with any ICC chimney system Wall Radiation Shield or Wall Thimble that passes through an outside wall horizontally. The Universal Vinyl siding trim can be used with any type of siding.

### **INSTALLATION**

- ◆ **NOTE:** Lay out both of the sections of the vinyl siding trim so that they are oriented the same way as the diagram shown in Figure 1 before starting. The trim pieces have pre marked locations where they can be folded 90°. Larger components may require more than one assembly. **Points A-G in Figure 1 refers to possible bend points.**

#### **Configuration A – Vinyl Siding Trim for 5” – 8” Excel Chimney**

- A1. The exterior plate of the Wall Radiation Shield (EWRS) is the same size when used for any Excel chimney size between 5 and 8 inches. The plate is 16” square.
- A2. **Fold both Trim Pieces 90° at Point D only, so that the V-shaped slot is on the inside of the angle (see Figure 2).** Arrange the two trims such that they make a 16 1/8” square trim.

#### **Configuration B – Vinyl Siding Trim for 4”x 6 5/8” or 5”x 8” Direct Vent**

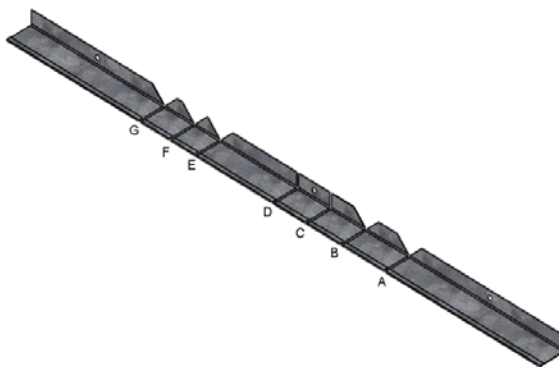
- B1. The exterior plate of the Insulated Wall Thimble (WT) is 12” square for 4” x 6 5/8” size venting and 12 3/4” square for 5” x 8” size venting.
- B2. **Fold both Trim Pieces 90° at Point B and Point G for 4” x 6 5/8” vent and at Point A and Point F for 5” x 8” vent so that the V-shaped slot is on the inside of the angle (see Figure 2).** Arrange the two trims such that they make a 12 1/8” or 12 7/8” square trim.

### **Configuration C – Vinyl Siding Trim for 3” and 4” Pellet Vent**

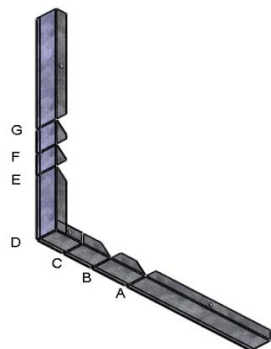
- C1. The exterior plates of the Adjustable Wall Thimbles (PWT and PWTO) are the same size when used for either size of venting (3” or 4”). The width of the exterior plate of the wall thimble is 11 ¼”.
- C2. **Fold both Trim Pieces 90° at Point A and Point E so that the V-shaped slot is on the inside of the angle (see Figure 2).** Arrange the two trims such that they make an 11 ¼” square trim for the PWT and a 11 ¼” x 14 3/8” rectangle for the PWTO.

### **For all Configurations**

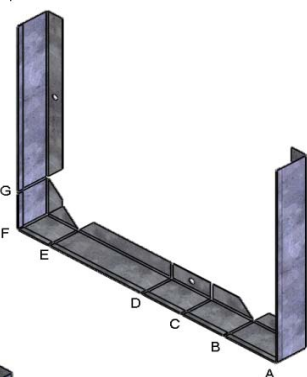
1.
  - a. If the vinyl siding has not yet been installed, proceed to step 2.
  - b. If the home is already clad with vinyl siding, you will need to cut a square opening to the dimensions of the trim for the vinyl siding trim to be installed. You can use a grinding wheel with the appropriate cutting blade, a utility knife, or even tin snips.
2. Orient the trim sections together to prevent leakage between the joints. This is easiest to accomplish if the section along the top is a single piece. Also, where the trims overlap along the sides, position the outer trim facing downward so any moisture will run down the outside as opposed to between the layers.
3. Center the trim in the hole cut for the venting to pass through. Secure the trim against the outside wall of the home using #8 wood screws in all of the holes pre-punched in the trim. Use a silicone sealant around the exterior of the trim to prevent water infiltration.
4. Install the exterior plate assembly of the Wall Radiation Shield or Wall Thimble inside the square trim and seal the gap between the plate assembly and the square trim using silicone sealant (see Figure 3).



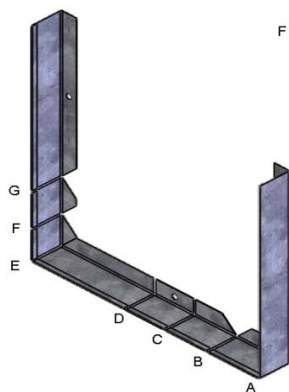
**Figure 1**



**Configuration "A"**

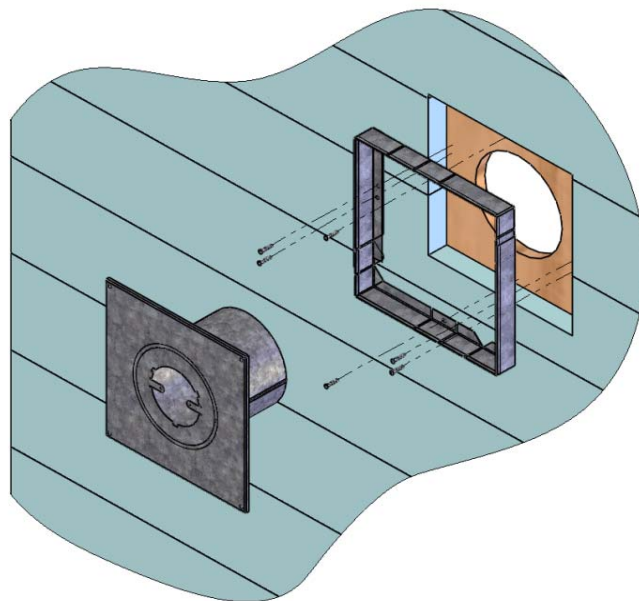


**Configuration "B"**



**Configuration "C"**

**Figure 2**



**Figure 3**

**Liste de contrôle / Check List:**

- 2 Finition de vinyle universelle (Pièces de) / Universal Vinyl Siding Trim(s)
- Notice d'installation et liste de contrôle / Instructions and check list