

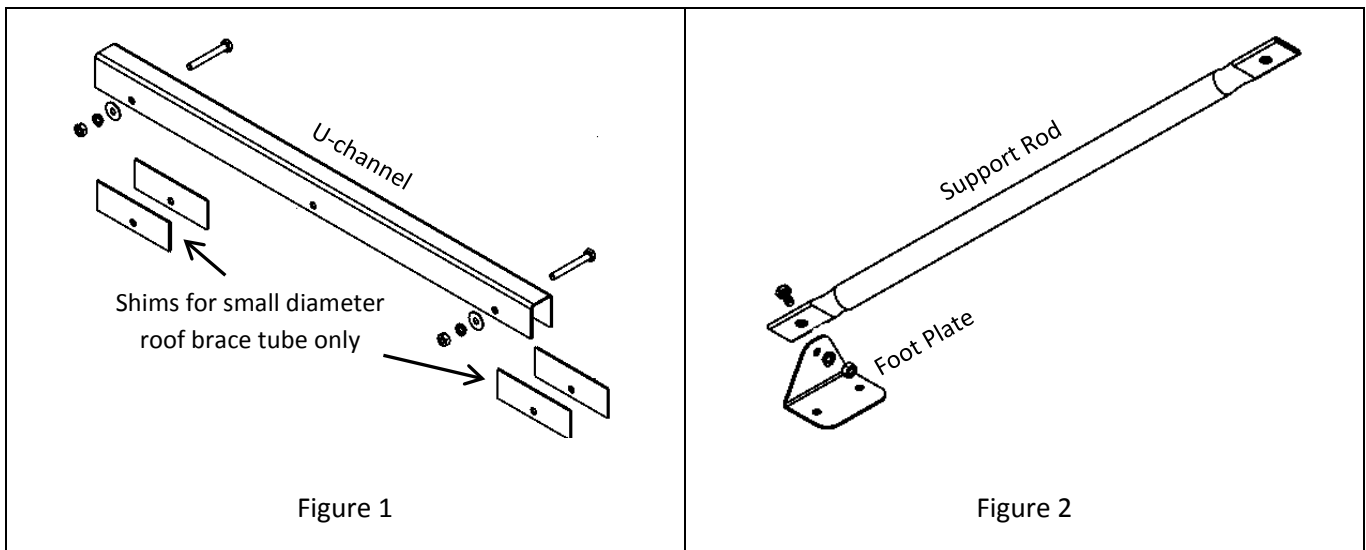


(XM-ERBS)

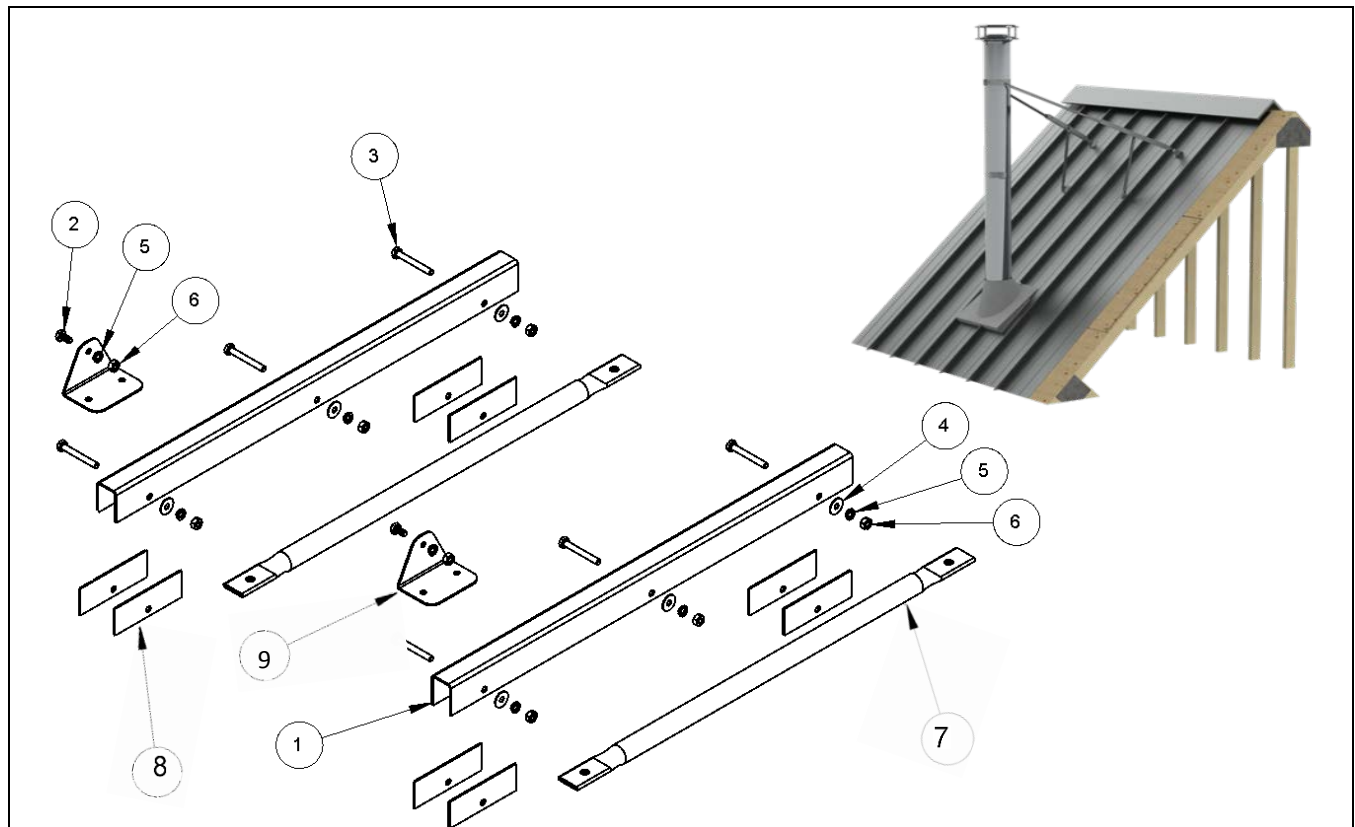
ROOF BRACE STIFFENER Installation Instructions

The Roof Brace Stiffener is an optional component that provides added support to the roof brace poles. The most common application is on roofs where snow accumulation occurs. Heavy snow loads can damage the roof brace poles if they are left unsupported.

1. The U-channels of the Roof Brace Stiffener must be installed completely on the same tube section of the roof brace pole. They will fit either the large diameter tube or small diameter tube (using shims), but cannot span across both. The bolt that locks the two tubes in position will interfere with the stiffener.
2. Hold the U-channel over the roof brace pole near its base. At the same time, align the support rod at a 90° angle to the U-channel. There are three holes in the U-channel, find the hole that allows closest to a 90° angle when the support rod rests on the roof.
3. Install the bolts and fasteners in the other two holes in the U-channel as shown in Figure 1. Use the shims provided if the U-channel is positioned on the small diameter tube.
4. Attach the foot plate to one end of the support rod as shown in figure 2.
5. Attach the support rod to the hole in the U-channel by placing the end of the support rod inside the U-channel against the tube.
6. Screw the foot plate down to the roof using roofing screws to ensure it is solid. If screwing into a metal roof without support below, then adding support from below (e.g. plywood or 2x4) is recommended.
7. Tighten all fasteners until stiff. It is normal for the U-channel to narrow under the tension of the tightened bolts.



Check List / Liste de contrôle



#	Description	Qty/ Qté	✓
1	U-Channel <i>Renfort pour bride de toit</i> (XM-ERBS-A01)	2	
2	Bolt <i>Boulon</i> #1/4-20 x 1/2", Hex (902007)	2	
3	Bolt <i>Boulon</i> #1/4-20 x 2" Hex (902020)	6	
4	Round Washer <i>Rondelle plate</i> 1/4" ID x 3/4" OD (904003)	6	
5	Lock Washer <i>Rond ressort</i> 1/4" ID (905009)	8	
6	Nut <i>Écrou</i> #1/4-20, Hex (906005)	8	
7	Support Rod <i>Petit poteau pour bride de toit</i> (XM-ERBS-D03)	2	
8	Shim <i>Cale</i> (XM-ERBS-D02)	8	
9	Foot plate <i>Plaque de base</i> (XM-ERB-BRACKET)	2	
	Instructions and check list <i>Notice d'installation et liste de contrôle</i>	1	

INITIALS / INITIALES